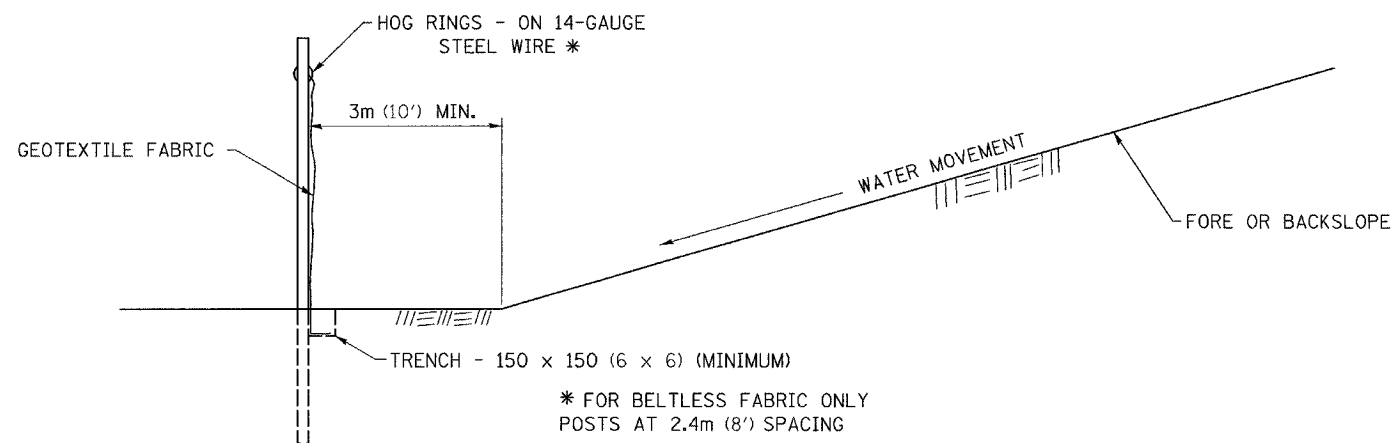
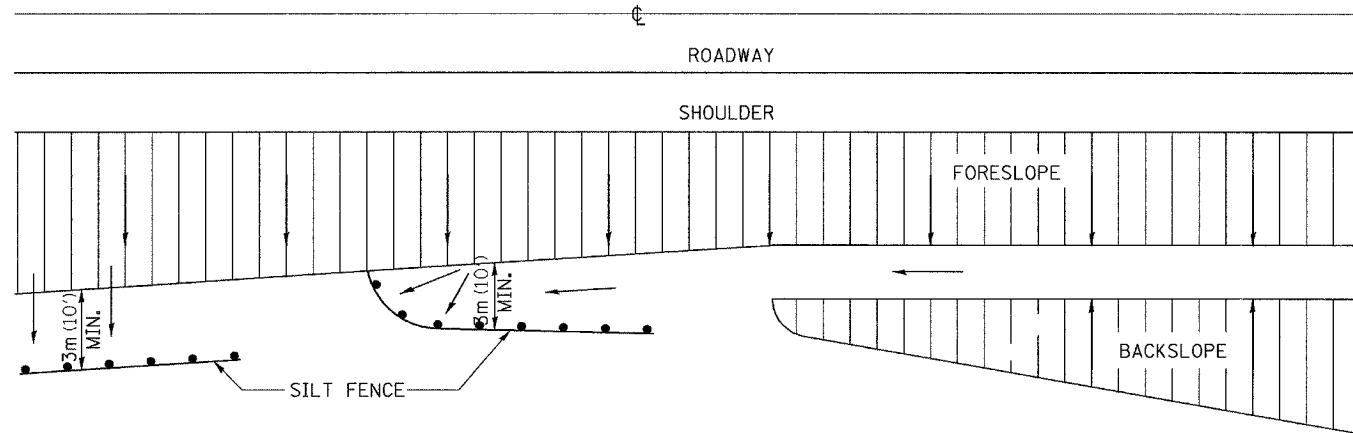


EROSION CONTROL DETAILS FOR SILT FENCE



DETAILS OF SILT FENCE

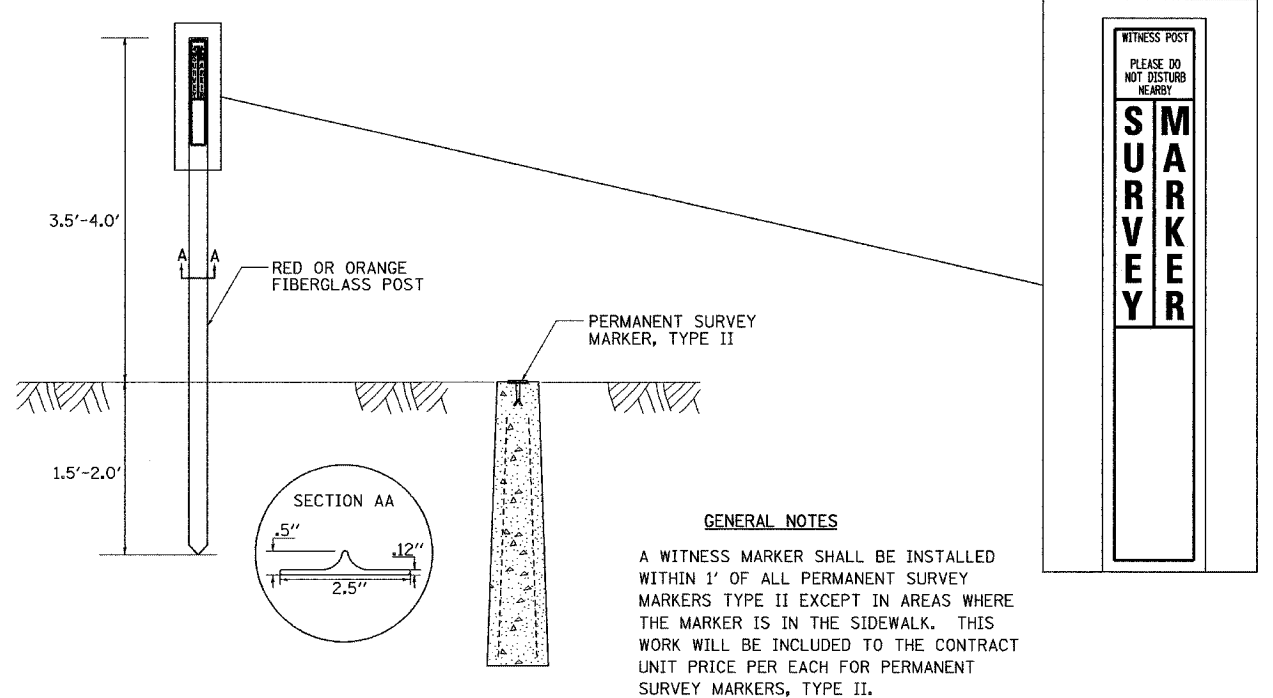
ALL DIMENSIONS ARE IN MILLIMETERS (INCHES) UNLESS OTHERWISE NOTED.

REVISED 10-22-01

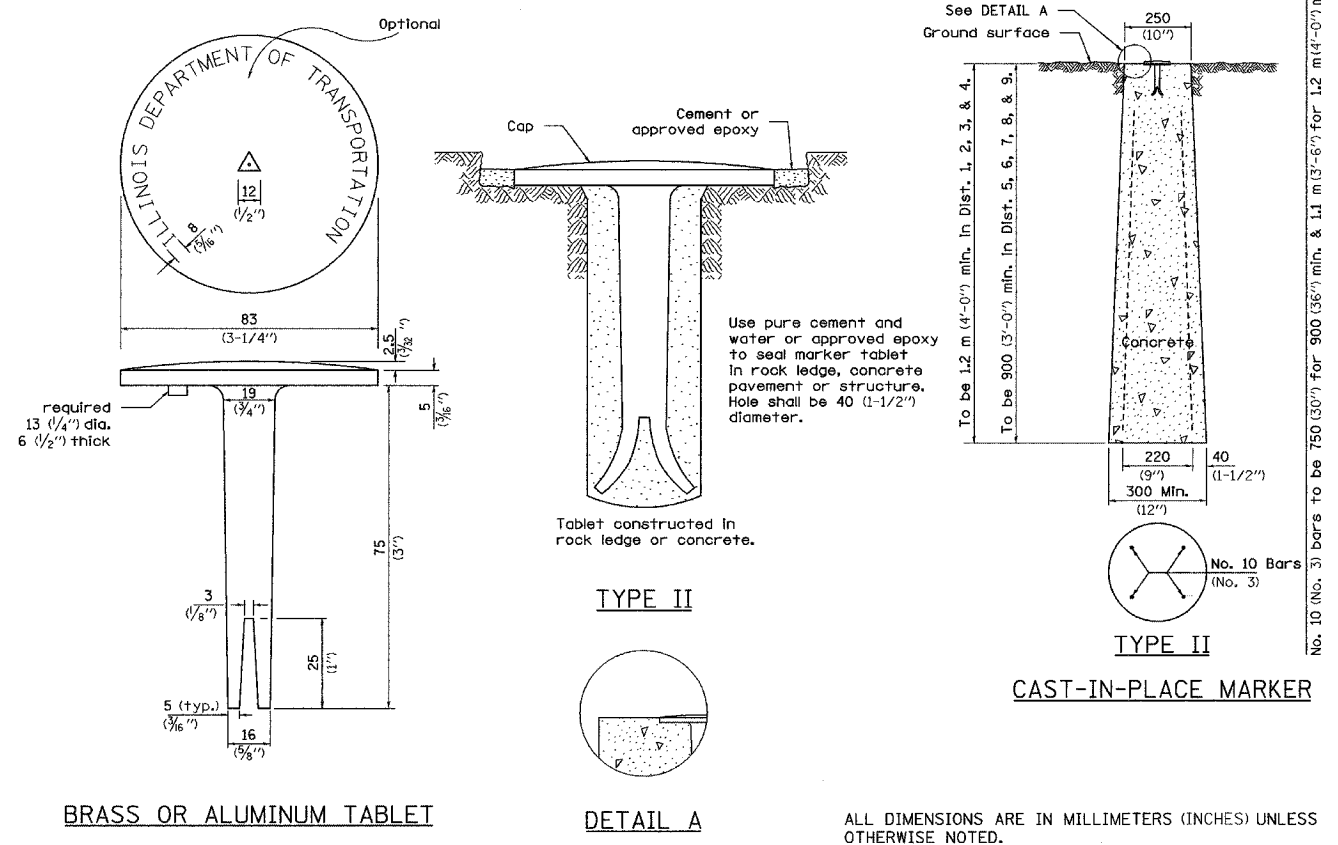
PLOT DATE = 10/97
FILE NAME = Z99085PL
SCALE = NONE
REFERENCE = NONE

F.A.S. RTE.	SECTION	COUNTY	TOTAL SHEETS	SHEET NO.
203	11BR-1		43	34
STA.		TO STA.		
FED. ROAD DIST. NO.		ILLINOIS	FED. AID PROJECT	
•WHITESIDE & ROCK ISLAND				

WITNESS MARKER FOR PERMANENT SURVEY MARKERS, TYPE II



PERMANENT SURVEY MARKERS, TYPE II



BRASS OR ALUMINUM TABLET

DETAIL A

ALL DIMENSIONS ARE IN MILLIMETERS (INCHES) UNLESS OTHERWISE NOTED.

REVISED - 6-26-06