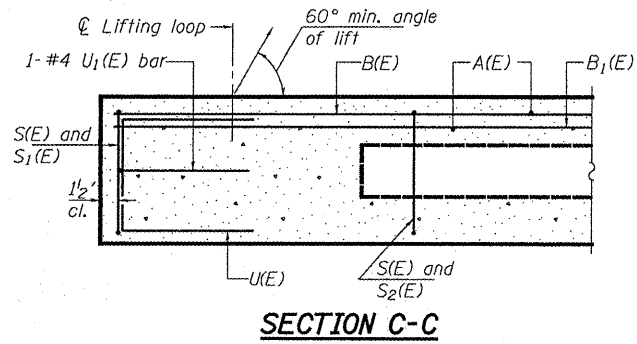


STATE OF ILLINOIS
DEPARTMENT OF TRANSPORTATION

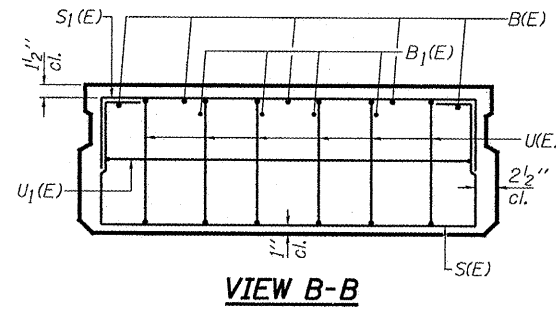
ROUTE NO.	SECTION	COUNTY	TOTAL SHEETS	SHEET NO.
F.A.S. 863	*	RANDOLPH		14
FED. ROAD DIST. NO. 7	ILLINOIS	FED. AID PROJECT		

SHEET NO. 7
14 SHEETS

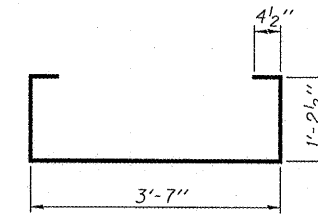
* 06-00039-05-BR



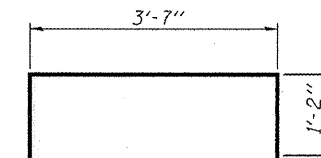
SECTION C-C



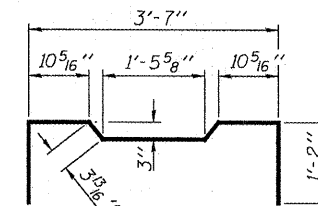
VIEW B-B



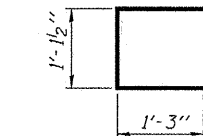
BAR S(E)



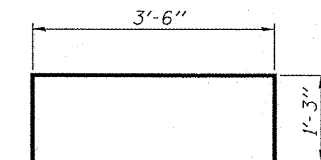
BAR S1(E)



BAR S2(E)



BAR U(E)



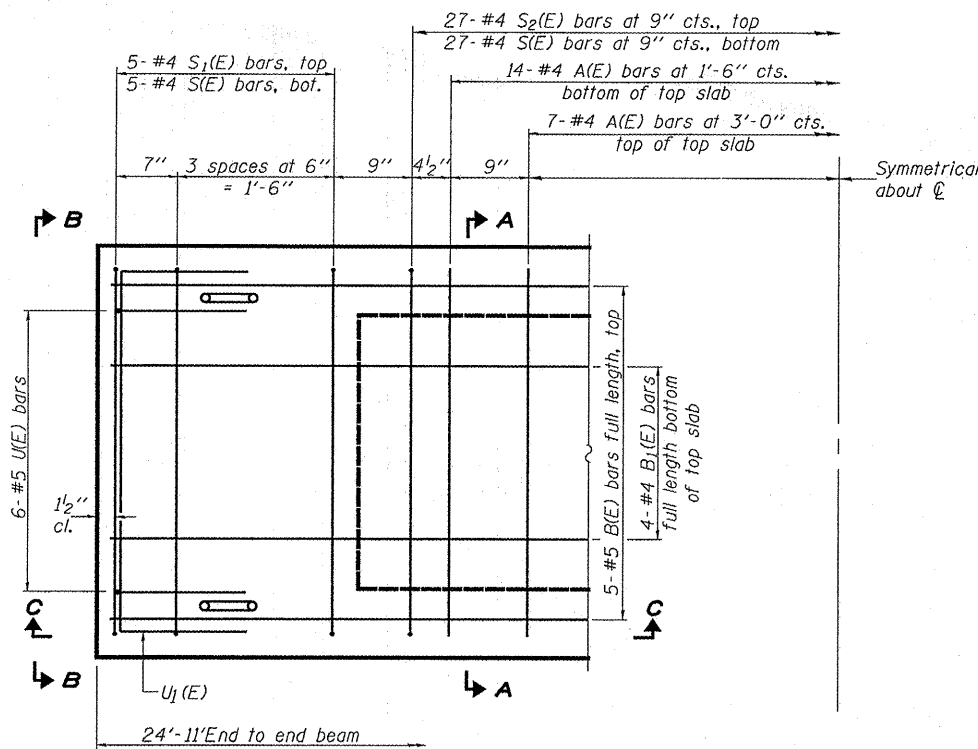
BAR U1(E)

BAR LIST
ONE BEAM ONLY
(For information only)

Bar	No.	Size	Length	Shape
A(E)	21	#4	3'-7"	—
B(E)	5	#5	24'-8"	—
B1(E)	4	#4	24'-8"	—
S(E)	37	#4	6'-9"	U
S1(E)	10	#4	5'-11"	U
S2(E)	27	#4	6'-2"	U
U(E)	12	#5	3'-8"	U
U1(E)	2	#4	6'-0"	U

Reinforcement bars designated (E) shall be epoxy coated.

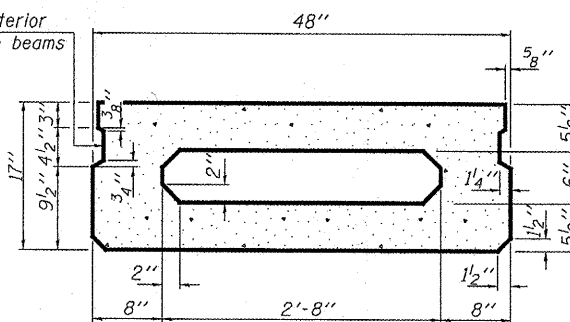
SPANS 1 AND 3
17" X 48" PPC DECK BEAM
STR. NO. 079-3195
F.A.S. ROUTE 863 OVER
COX CREEK DRAIN DITCH
SECTION 06-00039-05-BR
RANDOLPH COUNTY
STA. 47+16.90



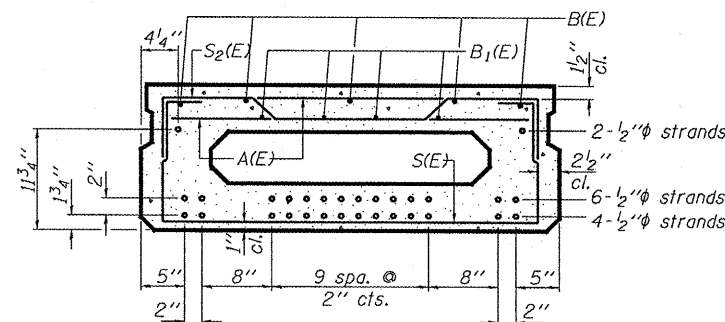
PLAN VIEW

Note: Spacing of S(E) and S2(E) bars may be adjusted up to 4" in the immediate area of the transverse tie diaphragms to miss the block outs for the transverse ties.

Omit key on exterior face of outside beams



SECTION A-A
(Showing dimensions)



SECTION A-A

(Showing reinforcement and permissible strand locations)

12-1/2" diameter Strands Each Strand Stressed to 30,900 lbs.
4 strands 1 3/4" up, 6 strands 3 3/4" up, 2 strands 11 3/4" up.

Note: Place the number of strands specified in each row symmetrically about the centerline of beam in the permissible strand locations shown.

Note: See sheet 5 of 10 for additional details and Bill of Material.

DESIGNED	MJT
CHECKED	JSB
DRAWN	SMS
CHECKED	JSB

May 1, 2008
EXAMINED
PASSED
ENGINEER OF STRUCTURAL SERVICES
ENGINEER OF BRIDGES AND STRUCTURES