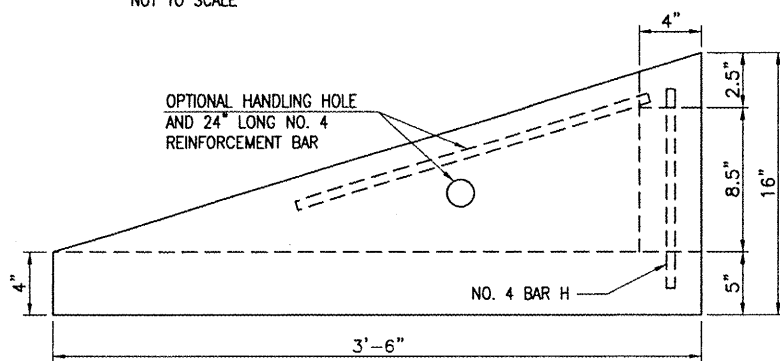


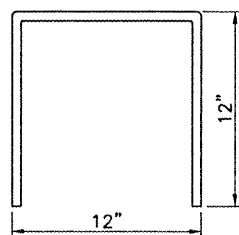
RODENT SHIELD PLACEMENT
"NOT TO SCALE"

SECTION A-A
"NOT TO SCALE"

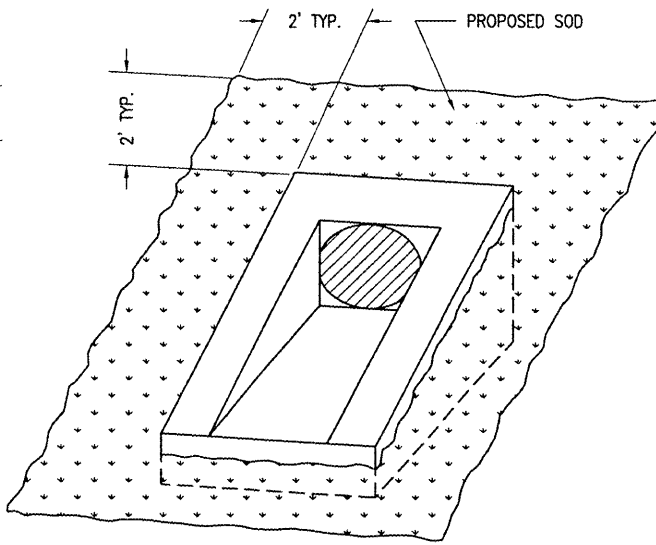


SIDE VIEW
"NOT TO SCALE"

SPECIAL STRUCTURE FOR UNDERDRAIN DETAIL
I.D.O.T. STANDARD 2362-4
"NOT TO SCALE"



BAR H
"NOT TO SCALE"



PROPOSED SOD LOCATION
"NOT TO SCALE"

603-BITUMINOUS TACK COAT NOTES:

THE BITUMINOUS TACK COAT (603) SHALL BE PLACED IN ACCORDANCE WITH ITEM AR603 "BITUMINOUS TACK COAT" AS STATED ON PAGE 62 OF THE SUPPLEMENTAL SPECIFICATIONS AND RECURRING SPECIAL PROVISIONS, ADOPTED JULY 1, 2004.

THE PROPOSED BITUMINOUS TACK COAT SHALL BE PLACED ON THE PROPOSED BITUMINOUS PAVEMENT PRIOR TO THE PLACEMENT OF THE NEXT LIFT OF PROPOSED BITUMINOUS SURFACE COURSE. THE PROPOSED BITUMINOUS PAVEMENT SHALL HAVE A TACK COAT OF BITUMINOUS MATERIAL APPLIED IN ACCORDANCE WITH THE REQUIREMENTS OF THE SUPPLEMENTAL SPECIFICATIONS AND RECURRING SPECIAL PROVISIONS.

THE PROPOSED BITUMINOUS TACK COAT WILL BE PAID FOR UNDER ITEM:
AR603510 BITUMINOUS TACK COAT _____ PER GAL.

AR401611 BITUMINOUS SURFACE COURSE - METHOD 1

THE BITUMINOUS SURFACE COURSE (401) SHALL BE PLACED IN ACCORDANCE WITH ITEM AR401001 "BITUMINOUS SURFACE COURSE-METHOD 1" AS STATED ON PAGE 245 OF THE SUPPLEMENTAL SPECIFICATIONS AND RECURRING SPECIAL PROVISIONS, ADOPTED JULY 1, 2004.

THIS ITEM OF WORK SHALL CONSIST OF CONSTRUCTING 2 LIFTS OF BITUMINOUS SURFACE COURSE (FIRST LIFT WILL BE 2-1/2" AND SECOND LIFT WILL BE 1-1/2") ON THE EXISTING BITUMINOUS PAVEMENT.

THE CONTRACTOR SHALL BE RESPONSIBLE FOR THE QUALITY CONTROL IN THE PRODUCTION AND CONSTRUCTION OF THE BITUMINOUS SURFACE COURSE.

PRIOR TO STARTING THE AGGREGATE BITUMINOUS SURFACE COURSE OPERATION, THE CONTRACTOR SHALL SUBMIT TO THE RESIDENT ENGINEER A DETAILED OUTLINE SHOWING AREAS AND ORDER OF PAVING WIDTHS OF PAVING LANES, AND REQUIRED OFFSETS FOR ELECTRONIC GRADE.

THE PROPOSED BITUMINOUS SURFACE COURSE WILL BE DESIGNED TO A MARSHALL DESIGN OF (LESS) THAN 60,000 POUNDS.

401-4.9 ADD THE FOLLOWING TO THIS SECTION:

WHEN HAND SPREADING IS PERMITTED, THE MIXTURE WILL BE DISTRIBUTED AND SPREAD USING HAND TOOLS. WHEN THE WORK IS COMPLETED, THE LAYER WILL HAVE THE REQUIRED THICKNESS AND CONFORM TO THE GRADE AND SURFACE CONTOUR SHOWN ON THE PLANS.

401-4.12 ADD THE FOLLOWING TO THIS PARAGRAPH:

ALL PAVEMENT EDGES (LONGITUDINAL, RADIUS, AND PAVEMENT ENDS) MUST BE LEFT IN PROPER ALIGNMENT AS SHOWN ON THE PLANS. THIS MAY BE ACCOMPLISHED BY THE TRIMMING METHOD OUTLINED ABOVE OR AT THE CONTRACTOR'S OPTION BY SAWING AFTER THE PAVING HAS BEEN COMPLETED. NO ADDITIONAL COMPENSATION WILL BE MADE IF THE SAWING METHOD IS USED.

AR209-CRUSHED AGGREGATE BASE COURSE NOTES

THE CRUSHED AGGREGATE BASE COURSE (209) SHALL BE PLACED IN ACCORDANCE WITH ITEM 209 "CRUSHED AGGREGATE BASE COURSE" AS STATED ON PAGE 45 OF THE SUPPLEMENTAL SPECIFICATIONS AND RECURRING SPECIAL PROVISIONS, ADOPTED JULY 1, 2004.

THE CRUSHED AGGREGATE BASE COURSE MATERIAL (CA-6) WILL BE USED TO CONSTRUCT A BASE COURSE FOR THE PROPOSED BITUMINOUS SURFACE COURSE (401). THE CRUSHED AGGREGATE BASE COURSE MATERIAL WILL BE 6" IN DEPTH AND COMPACTED TO NOT LESS THAN 95 PERCENT DENSITY.

THE PROPOSED AGGREGATE FOR THE BASE COURSE MATERIAL SHALL MEET THE REQUIREMENTS OF GRADATION "B" IN TABLE 1 OF THE SUPPLEMENTAL SPECIFICATIONS.

209-3.2 EQUIPMENT. ADD THE FOLLOWING PARAGRAPHS TO THIS SECTION:

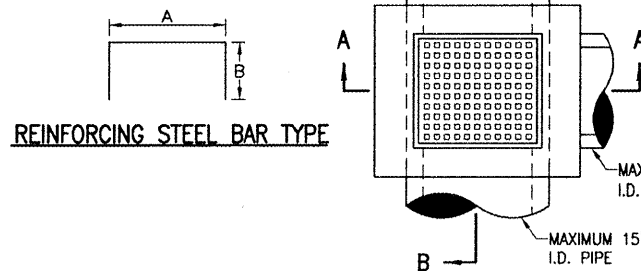
"PROVISIONS SHALL BE MADE BY THE CONTRACTOR FOR FURNISHING WATER AT THE PLANT AND AT THE SITE OF THE WORK BY EQUIPMENT OF AMPLE CAPACITY AND OF SUCH DESIGN AS TO ASSURE UNIFORM MIXING AND APPLICATION."

THE CONTRACTOR WILL PROVIDE THE RESIDENT ENGINEER A PROCTOR CURVE SHOWING OPTIMUM DENSITY AND MOISTURE FOR THE SUPPLIED BASE COURSE MATERIAL.

THE COMPACTION CONTROL TEST TO BE USED SHALL BE FAA COMPACTION CONTROL TEST T-611 FOR AIRCRAFT WEIGHING LESS THAN 60,000 LBS.

209-4.1. DELETE THE FIFTH SENTENCE AND REPLACE IT WITH THE FOLLOWING:

"IF AT THE TIME THE AGGREGATES ARE WEIGHED THEY CONTAIN MORE THAN SIX (6) PERCENT OF ABSORBED AND FREE MOISTURE BY WEIGHT, A DEDUCTION FOR THE MOISTURE IN EXCESS OF THIS AMOUNT SHALL BE MADE IN DETERMINING THE PAY QUANTITY."



REINFORCING STEEL BAR TYPE

REINFORCING BARS SCHEDULE					
TYPE	QUANTITY PER INLET	DIMENSIONS		SIZE	APPROX. WT. OF BARS IN INLET
		A	B		
A	2	3'-4"	2'-4"	#5	16.7

INLET NOTES

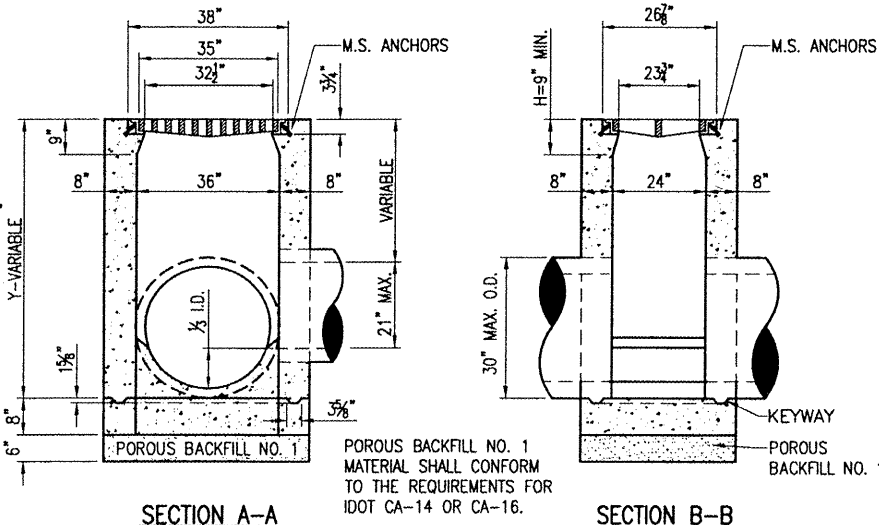
INLET TO BE CONSTRUCTED OF STRUCTURAL P.C. CONCRETE. THE CONTRACT UNIT PRICE PER INLET SHALL INCLUDE THE FRAME, GRATE AND STEPS IN PLACE AND COMPLETE PER UNIT.

1/2" CHAMFER TO BE USED ON ALL EXPOSED CORNERS OF INLETS. BARS TO BE INSTALLED 2" FROM FACE OF WALLS.

THE FRAME AND GRATE SHALL BE NEENAH R-3475-A, DEETER 2425-E.

"H" SHALL BE EQUAL TO THE PROPOSED PAVEMENT THICKNESS AND NOT LESS THAN THE ATTACHED MINIMUMS. TYPE A _____ 9" MINIMUM.

INLET STEPS SHALL BE NEENAH R-1980-1. 12" TO 15" C.C. STEPS TO BE INSTALLED WHEN Y IS GREATER THAN 5' COST. THE COST OF THE STEPS SHALL BE INCLUDED IN THE CONTRACT UNIT PRICE FOR EACH INLET.



SECTION A-A

SECTION B-B

602-BITUMINOUS PRIME COAT NOTES:

THE BITUMINOUS PRIME COAT (602) SHALL BE PLACED IN ACCORDANCE WITH ITEM AR602 "BITUMINOUS PRIME COAT" AS STATED ON PAGE 58 OF THE SUPPLEMENTAL SPECIFICATIONS AND RECURRING SPECIAL PROVISIONS, ADOPTED JULY 1, 2004.

THE PROPOSED BITUMINOUS PRIME COAT SHALL BE PLACED ON THE PROPOSED AGGREGATE BASE COURSE PRIOR TO THE PLACEMENT OF THE FIRST LIFT OF PROPOSED BITUMINOUS SURFACE COURSE. THE PROPOSED AGGREGATE BASE COURSE SHALL HAVE A PRIME COAT OF BITUMINOUS MATERIAL APPLIED IN ACCORDANCE WITH THE REQUIREMENTS OF THE SUPPLEMENTAL SPECIFICATIONS AND RECURRING SPECIAL PROVISIONS.

THE PROPOSED BITUMINOUS PRIME COAT WILL BE PAID FOR UNDER ITEM:
AR602510 BITUMINOUS PRIME COAT _____ PER GAL.

DATE	REVISION	BY

VANDALIA MUNICIPAL AIRPORT
VANDALIA, ILLINOIS

IL PROJ.: VVA-3724 A.I.P. PROJ.: 3-17-0102-B10

FILE PROJECT NO.	DATE	BY	REVIEWED
07A0088D_0800	12/17/07	BAK	CAH
R-122CON.DWG	12/17/07	BAK	CAH
NOT TO SCALE	12/17/07		



Hanson Professional Services Inc.
1525 South Sixth Street
Springfield, Illinois 62703-2886
Offices Nationwide

CONSTRUCT HANGAR
ACCESS TAXIWAY

PROPOSED
NOTES
AND DETAILS