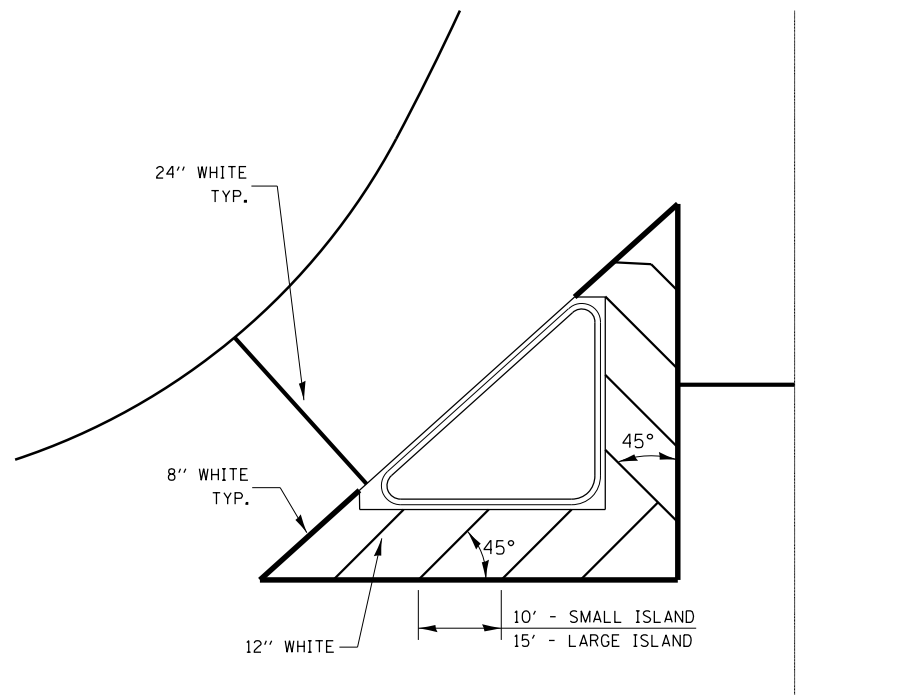
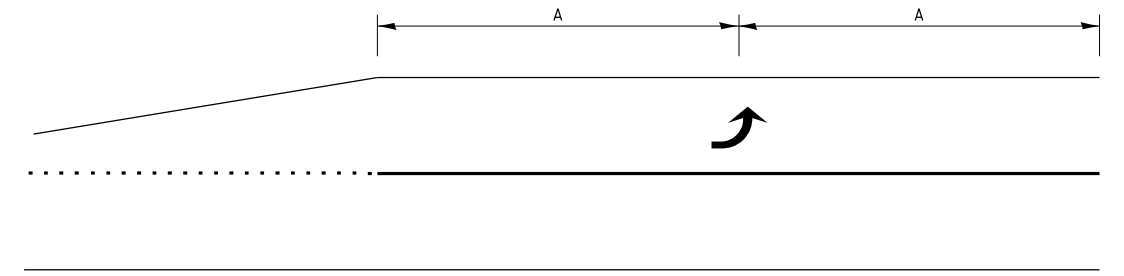


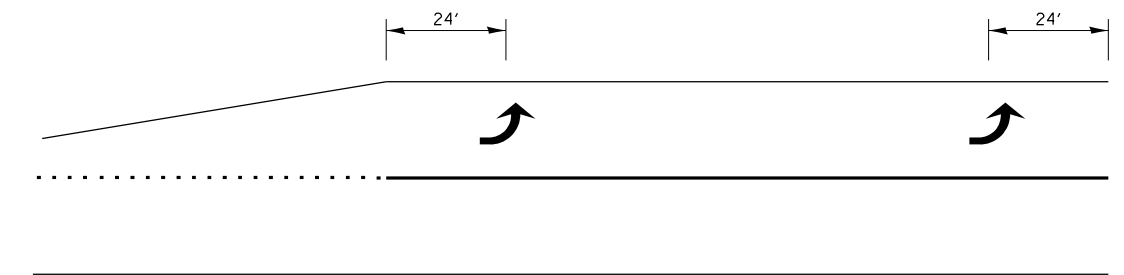
**ADVANCE AND INTERSECTION LANE
DIVIDER LINES**



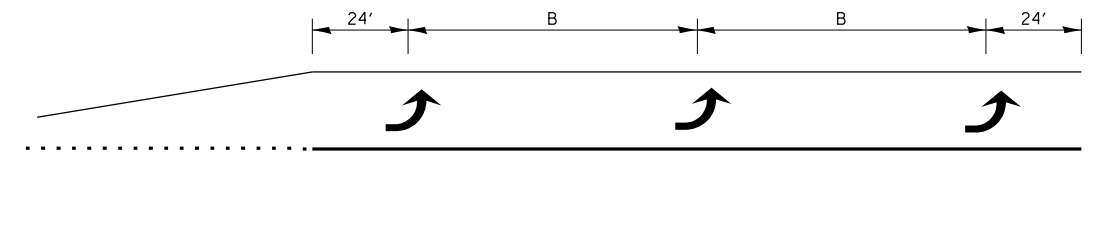
TYPICAL ISLAND



99' AND UNDER



100' TO 149'



150' AND LONGER

**TYPICAL PLACEMENT OF ARROWS
IN TURN LANES**

FILE NAME =	USER NAME = fergusonse	DESIGNED -	REVISED -
et:\pw\work\p1dot\fergusonse\d0387933\08xxxxx-sht-cover.dgn		DRAWN -	REVISED -
	PLOT SCALE = 100.0000' / in.	CHECKED -	REVISED -
	PLOT DATE = 6/7/2014	DATE -	REVISED -

**STATE OF ILLINOIS
DEPARTMENT OF TRANSPORTATION**

DETAILS

SCALE: SHEET NO. OF SHEETS STA. TO STA.

F.A.P. RTE.	SECTION	COUNTY	TOTAL SHEETS	SHEET NO.
326	(127)RS-3	FORD	11	8
ILLINOIS FED. AID PROJECT			CONTRACT NO. 66D62	