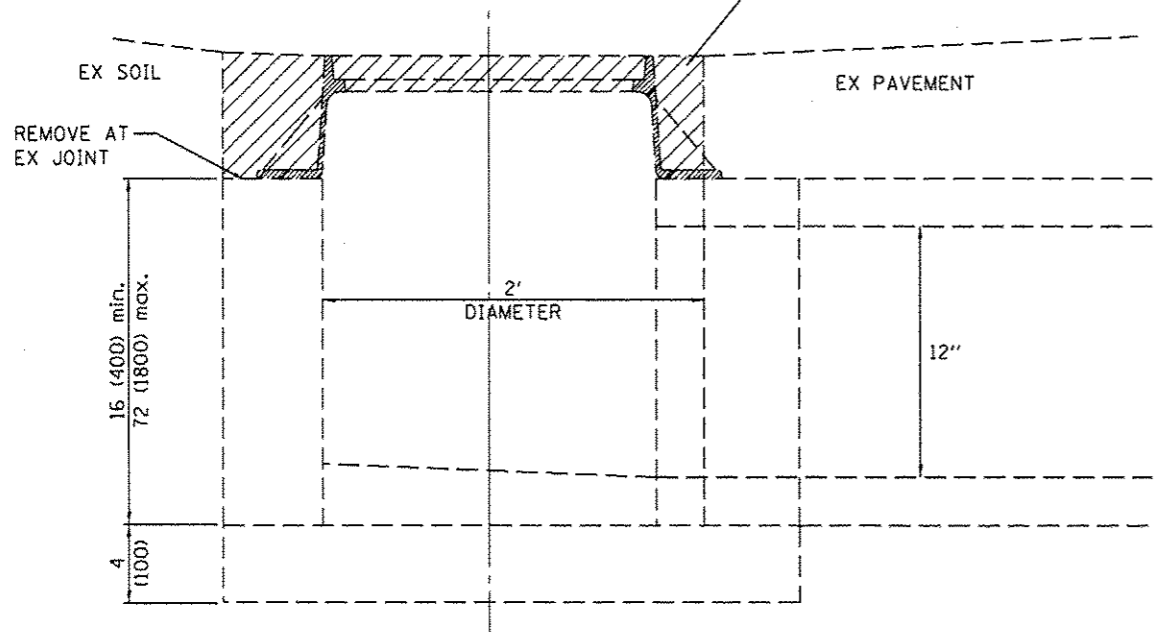
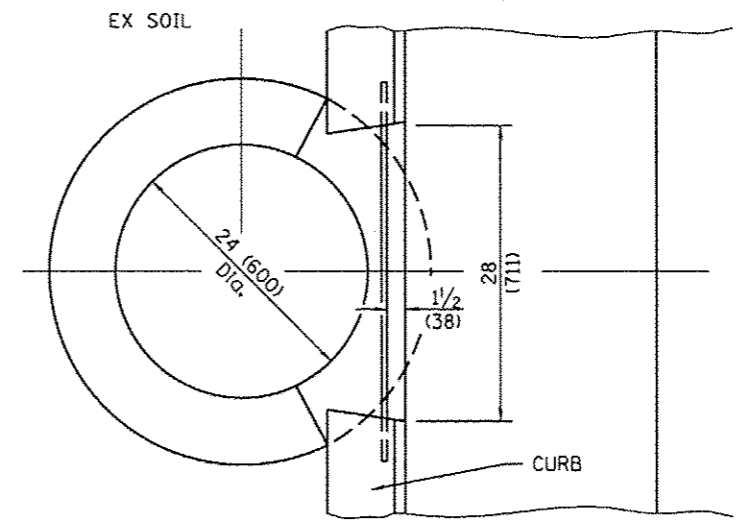


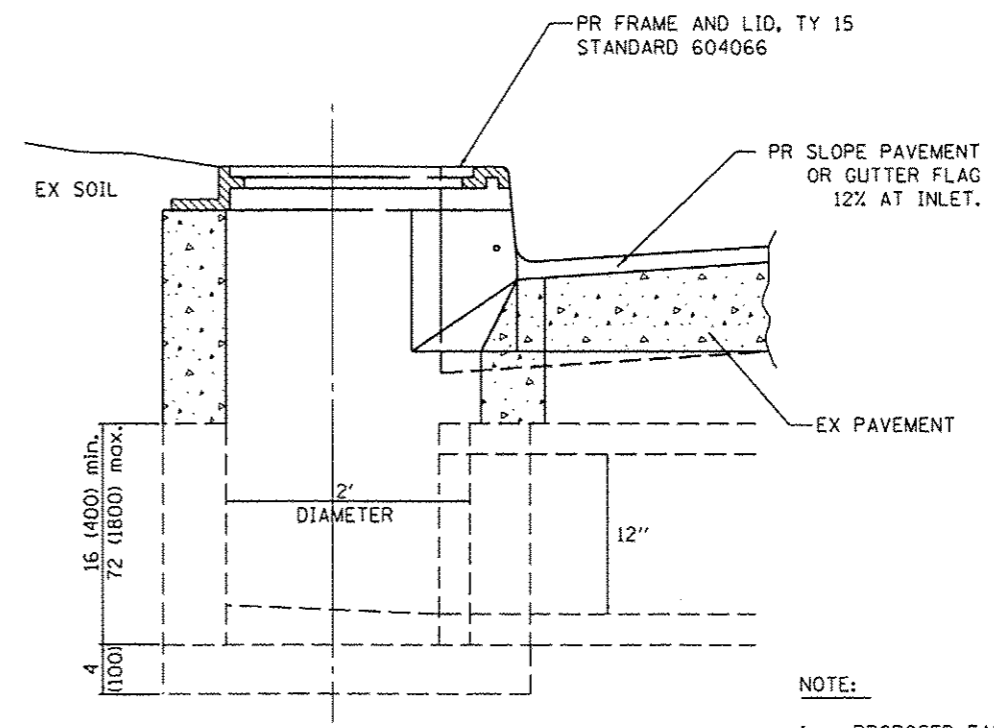
**EX PLAN**



**EX ELEVATION**



**PR PLAN**



**PR ELEVATION**

**NOTE:**

1. PROPOSED FRAME AND LID, TYPE 15 SHALL BE CONSTRUCTED ACCORDING TO STANDARD 604066.
2. ALL DIMENSIONS ARE IN INCHES (mm) UNLESS OTHERWISE SHOWN.
3. THE COST OF REMOVAL, LABOR, AND MATERIAL SHALL BE INCLUDED IN THE PAY ITEM "INLETS TO BE ADJUSTED WITH NEW TYPE 15 FRAME AND LID."

FILE NAME *	USER NAME *	DESIGNED -	REVISED -
SAVED\TRM\MAINT_CAD\72H22 - IL 18 - Lincoln	shahdm	DWS	-
	Patching\shahdm	DRAWN -	REVISED -
		DWS	-
		CHECKED -	REVISED -
			-
		DATE -	REVISED -
			-

**STATE OF ILLINOIS  
DEPARTMENT OF TRANSPORTATION**

**INLET ADJUSTMENT DETAIL**  
STA. 17+45 (RT), STA 19+32 (RT), STA 21+72 (RT)

F.A.P. RTE.	SECTION	COUNTY	TOTAL SHEETS	SHEET NO.
320	*	LOGAN	15	15
CONTRACT NO. 72H22			ILLINOIS FED. AID PROJECT	