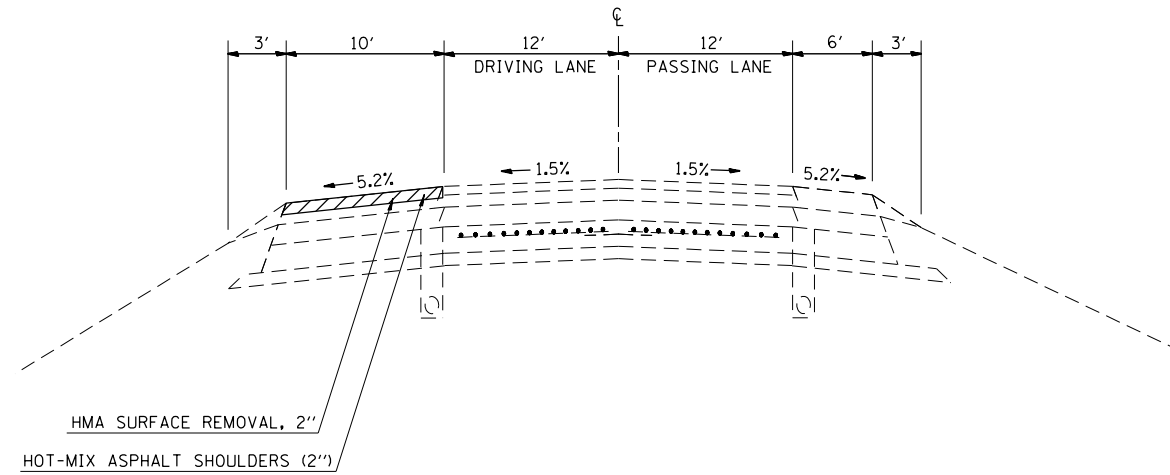


**PRE-STAGE TYPICAL CROSS SECTION**

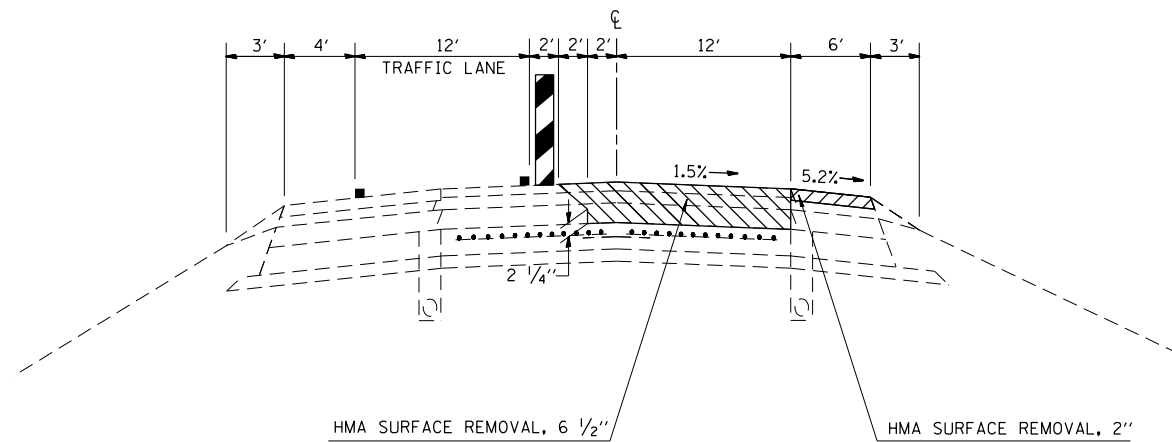
WESTBOUND LANE ONLY



NOTE: NOT TO DRAWN TO SCALE

**STAGE 1A TYPICAL CROSS SECTION**

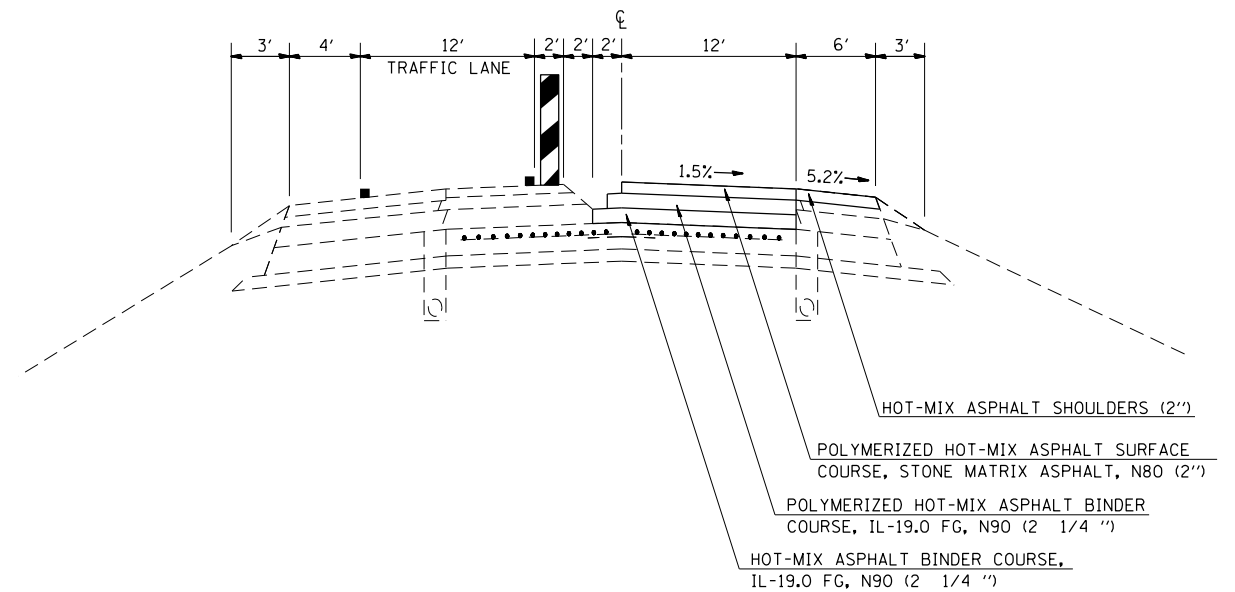
WESTBOUND LANE ONLY



NOTE: NOT TO DRAWN TO SCALE

**STAGE 1B TYPICAL CROSS SECTION**

WESTBOUND LANE ONLY



FILE NAME =	USER NAME = steffenmk	DESIGNED -	REVISED -
c:\pwork\pwork\stevfenmk\d0393168\074386-sh1-stgtypicals.dgn		DRAWN -	REVISED -
Default	PLOT SCALE = 100.0000' / 1in.	CHECKED -	REVISED -
	PLOT DATE = 5/9/2014	DATE -	REVISED -

**STATE OF ILLINOIS  
DEPARTMENT OF TRANSPORTATION**

**STAGING TYPICAL CROSS SECTIONS**

SCALE: N/A    SHEET 1 OF 2 SHEETS    STA.    TO STA.

F.A.I. RTE.	SECTION	COUNTY	TOTAL SHEETS	SHEET NO.
70	(18-45)RS-4	CUMBERLAND	17	6
CONTRACT NO. 74386			ILLINOIS FED. AID PROJECT	