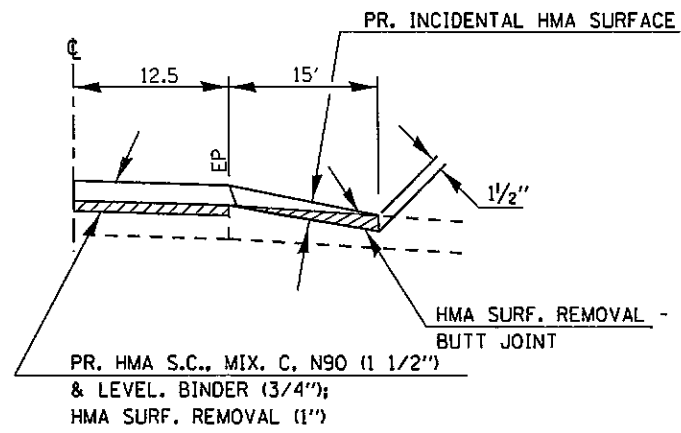
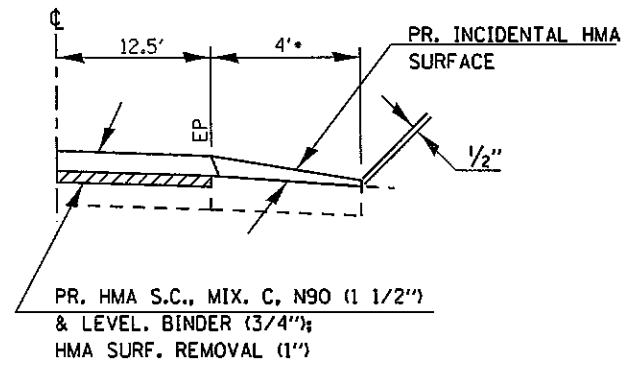


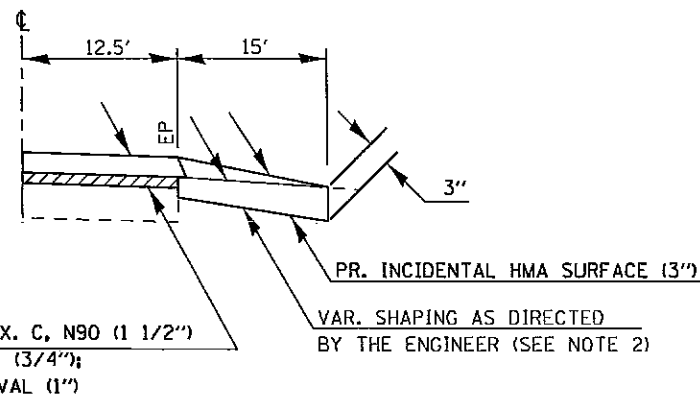
SIDEROAD AND ENTRANCE DETAILS



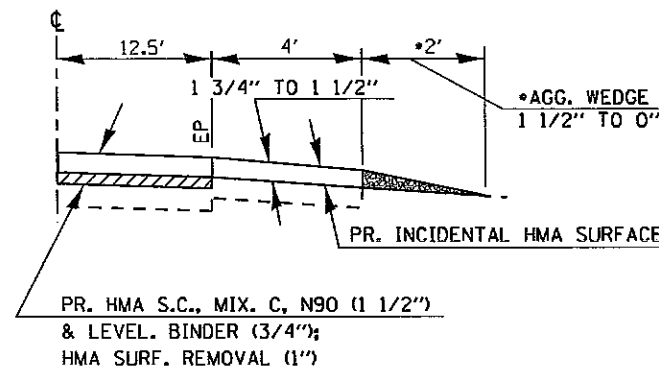
SIDE ROAD SEC. B-B
EX. BIT. OR CONC. SURFACE



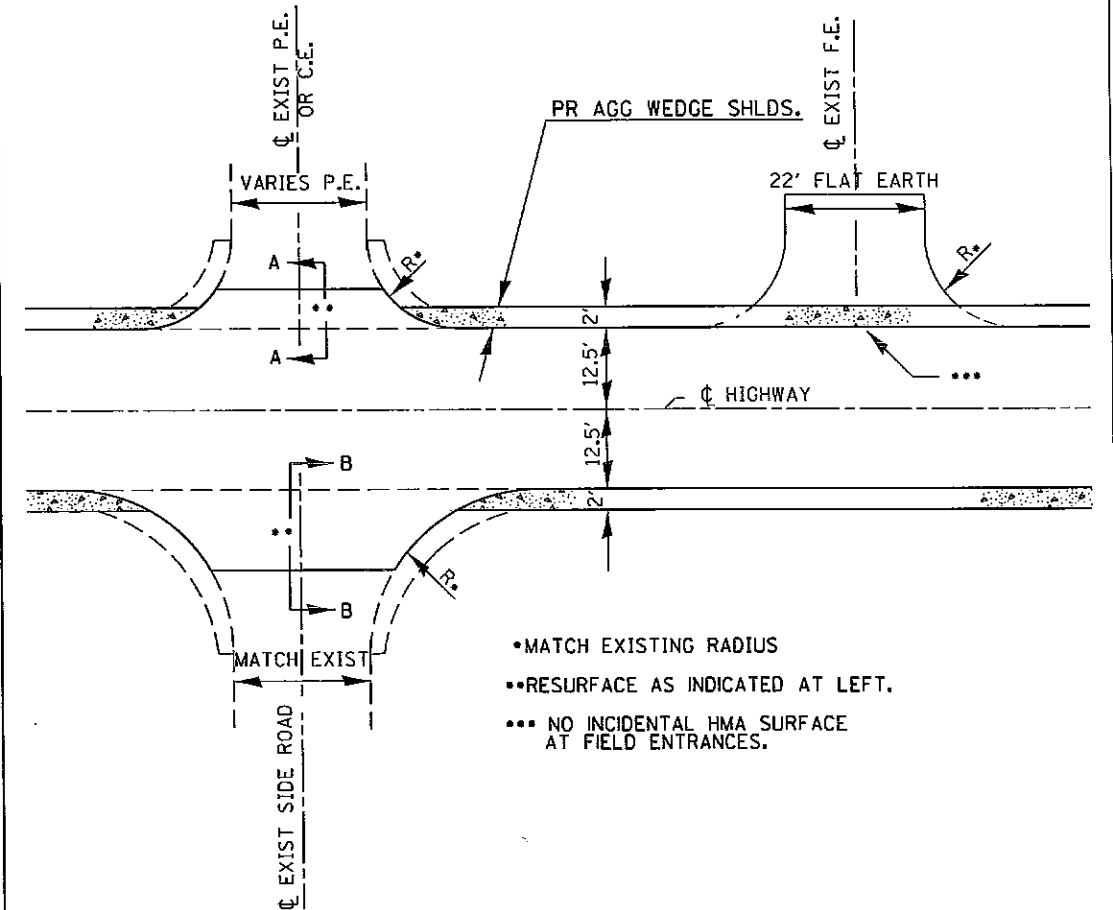
PE OR CE SEC. A-A
EX. BIT. OR CONC. SURFACE
•OR END OF BIT. APRON



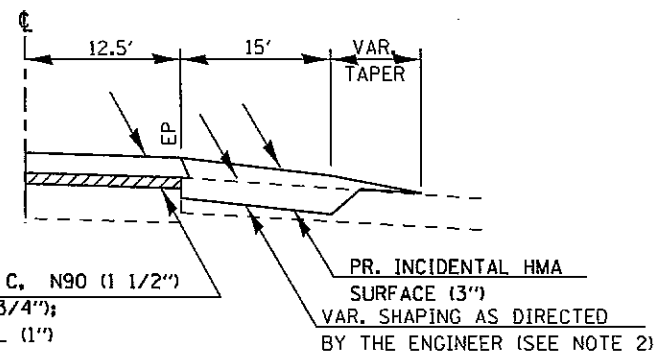
SIDE ROAD SEC. B-B
EX. AGGREGATE SURFACE
(SEE NOTE 1)



PE, CE SEC. A-A
EX. AGGREGATE SURFACE WITH BIT. APRON
•SEE ENTRANCE SCHEDULE FOR QUANTITY.



SEE ENTRANCE SCHEDULE



SIDE ROAD SEC. B-B
EX. OIL & CHIP SURFACE
(SEE NOTE 1)

NOTES

- IF EXISTING SUBBASE IS INADEQUATE, AS DETERMINED BY THE ENGINEER, THE SIDE ROADS SHALL BE CORED OUT AND AGGREGATE SUBBASE, TYPE B SHALL BE PLACED FOR BASE. THE COST OF CORING OUT THE SIDE ROAD AND ANY AGGREGATE BASE COURSE SHALL BE PAID FOR AS SPECIFIED IN ART. 109.04 OF THE STANDARD SPECIFICATIONS FOR ROAD AND BRIDGE CONSTRUCTION. IF EXISTING SUBBASE IS DETERMINED TO BE ADEQUATE, THE PREPARATION OF THE BASE SHALL BE CONSTRUCTED ACCORDING TO ARTICLE 406.09.
- VARIABLE SHAPING IS INCLUDED IN THE COST OF INCIDENTAL HOT-MIX ASPHALT SURFACE.

FILE NAME =	USER NAME = Stoverpg	DESIGNED -	REVISED -
PLT SCALE = 100.0000' / in.	CHECKED -	REVISOR -	DATE -
PLT DATE = 5/14/2014	DATE -	REVISOR -	DATE -

STATE OF ILLINOIS
DEPARTMENT OF TRANSPORTATION

DETAIL - SIDE ROADS
AND ENTRANCES

F.A.P. RTE. 14	SECTION 136RS-4, 137RS-2	COUNTY ALEXANDER	TOTAL SHEETS 18	SHEET NO. 15
SCALE: _____		SHEET NO. _____ OF _____ SHEETS		STA. _____ TO STA. _____
FED. ROAD DIST. NO. _____ [ILLINOIS] FED. AID PROJECT				

CONTRACT NO. 78205