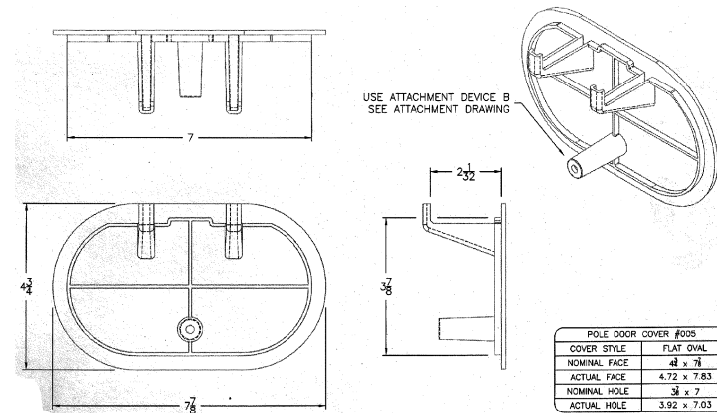
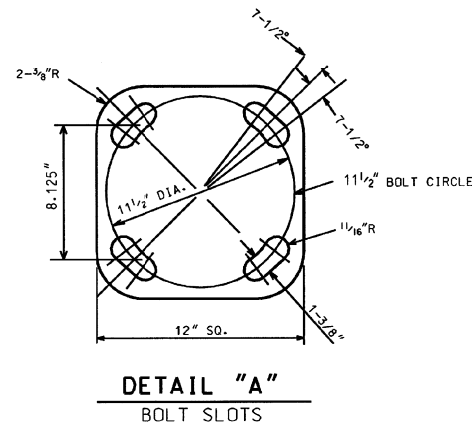
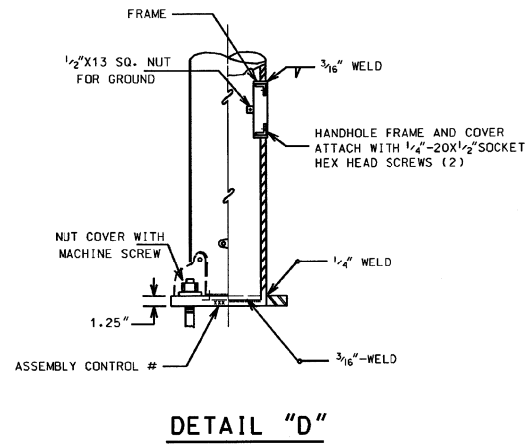
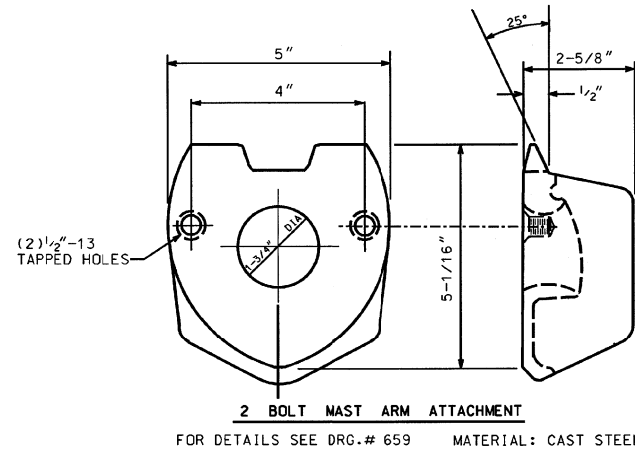
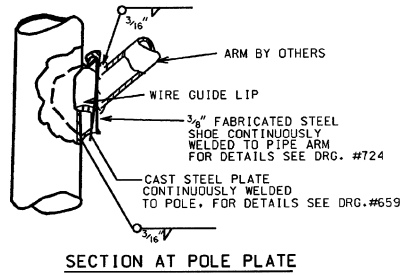
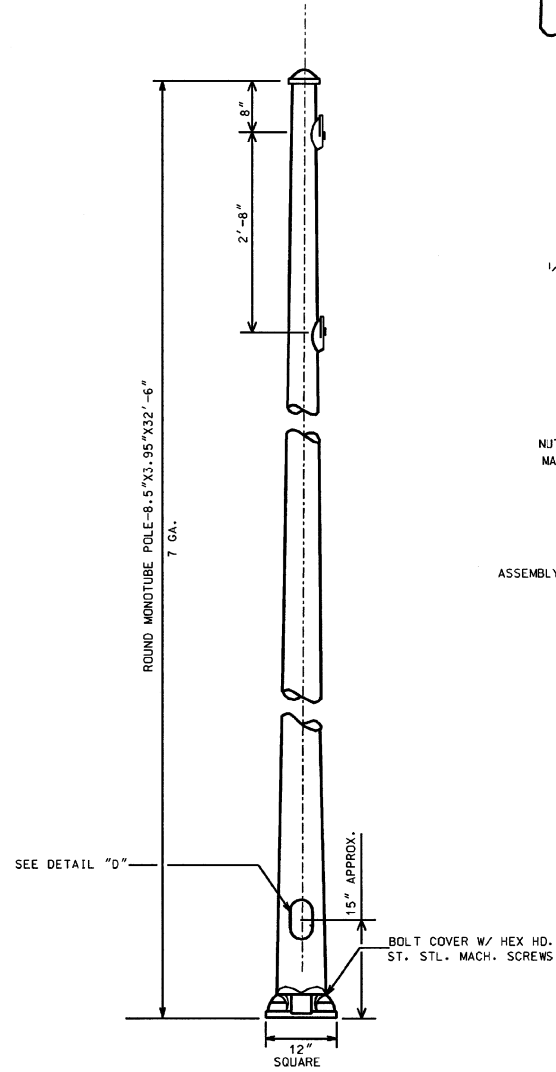


3/8"-16NCX3/4" LONG  
SET SCREWS (3@120°)  
**POLE CAP**  
FOR DETAILS SEE  
DRG.# 11420-4



3.95"x8.5" STEEL/32'-6" POLE 7 GAUGE		
CITY OF CHICAGO DEPT. OF STREETS AND SANITATION BUREAU OF ELECTRICITY DIVISION OF ELECTRICAL ENGINEERING		
DRAFTSMAN: <b>ROBERT IVY</b>	CHIEF DRAFTSMAN: <b>ROBERT CARTER</b>	ENGINEER: <b>RON POOL</b>
SUPERVISING ENGINEER:	ELEC. DESIGN ENGR.	DWG. NO.
ENGINEER OF ELECTRICITY:		<b>762</b>
GEN'L SMT. OF ELECTRICITY:		
DEPUTY COMMISSIONER:		10-03-01

J:\298\Drawn\ADD\_Sheets\CDOT\160J15-sht-CDDT12.dgn

**SINGH**  
SINGH + ASSOCIATES, INC.  
CONSULTING ENGINEERS

USER NAME = kprajapati  
DESIGNED - BN  
DRAWN - AM  
CHECKED - KGP  
DATE - 5/15/2013  
PLOT SCALE = 2.000000:1.000000  
PLOT DATE = 15-MAY-2013 17:26

DESIGNED - BN  
DRAWN - AM  
CHECKED - KGP  
DATE - 5/15/2013

REVISED -  
REVISED -  
REVISED -  
REVISED -

CITY OF CHICAGO  
DEPARTMENT OF TRANSPORTATION  
DIVISION OF ENGINEERING

63rd STREET OVER DAN RYAN EXPRESSWAY (I-90 /94)  
CDOT STANDARD DETAILS

SCALE: N.T.S. SHEET NO. 12 OF 13 SHEETS STA. TO STA.

F.A.I. RTE.	SECTION	COUNTY	TOTAL SHEETS	SHEET NO.
94	1920-B	COOK	137	58
CONTRACT NO. 60J15				
FED. ROAD DIST. NO. 1 ILLINOIS FED. AID PROJECT				