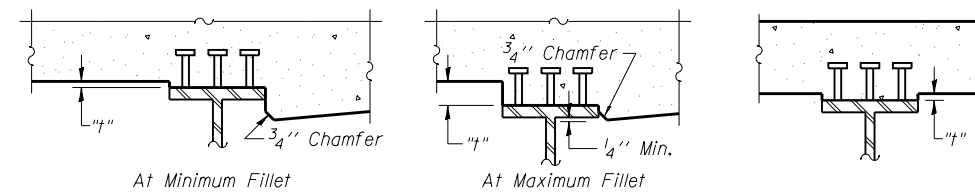


DEAD LOAD DEFLECTION DIAGRAM

(Includes weight of concrete only.)

Note: The above deflections are not to be used in the field if the engineer is working from the grade elevations adjusted for dead load deflections as shown on Sheets S8 thru S12.

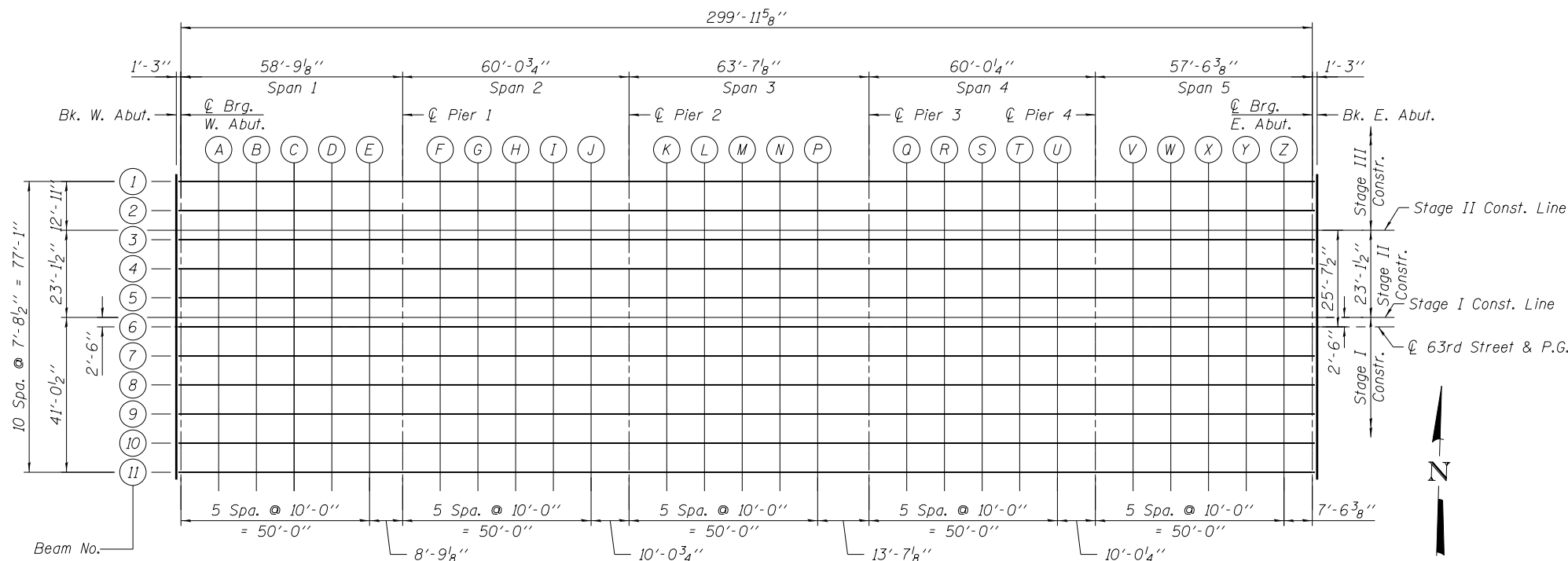


EXTERIOR BEAMS

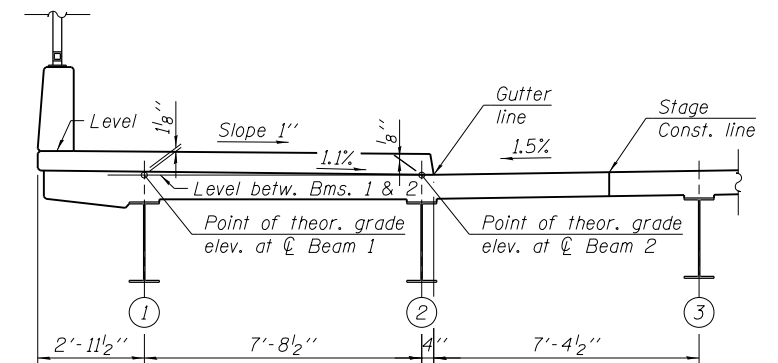
INTERIOR BEAMS

To determine "t": After all structural steel has been erected, elevations of the top flanges of the beams shall be taken at intervals shown below. These elevations subtracted from the "Theoretical Grade Elevations Adjusted for Dead Load Deflection" shown on Sheets S8 thru S12, minus slab thickness, equals the fillet heights "t" above top flange of beams.

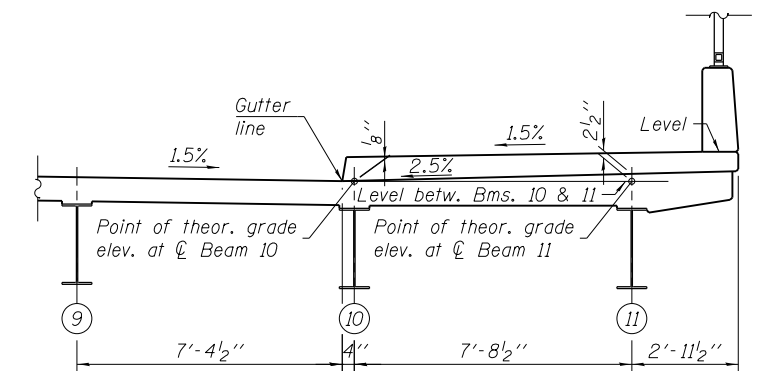
FILLET HEIGHTS



PLAN



SECTION THRU NORTH SIDEWALK
(Looking East)



SECTION THRU SOUTH SIDEWALK
(Looking East)

H:\projects\2013\022\CAD\Structural\016-1149-Final\00\Di60J15-s07-1-top-layout.dgn 5/20/2013 11:24:00 AM

USER NAME =	DESIGNED - J.Z.	REVISED -
CHECKED - J.A.Z.	REVISED -	
PLOT SCALE =	DRAWN - E.E.J.	REVISED -
PLOT DATE =	DATE - 5/17/2013	REVISED -

F.A.I. RTE. 94	SECTION 1920-B	COUNTY COOK	TOTAL SHEETS 137	SHEET NO. 66
CONTRACT NO. 60J15				
ILLINOIS FED. AID PROJECT				