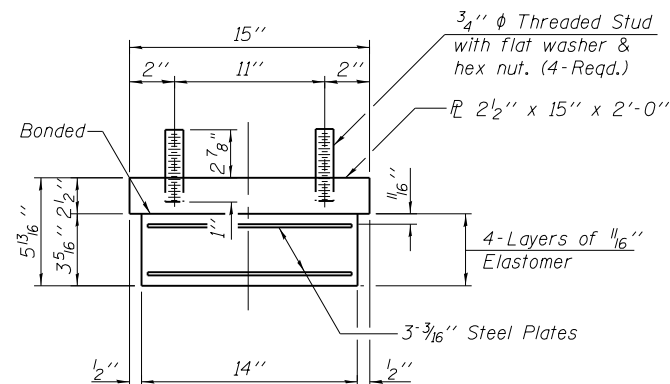


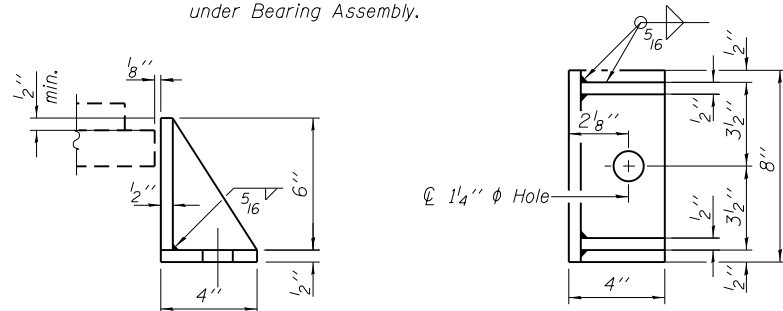
**TYPE I ELASTOMERIC EXP. BRG. AT PIERS 1 & 4**  
(22 Required)

**TYPE II ELASTOMERIC EXP. BRG. AT ABUT.**  
(22 Required)



**BEARING ASSEMBLY**

Note:  
Shim plates shall not be placed under Bearing Assembly.



**SIDE RETAINER**

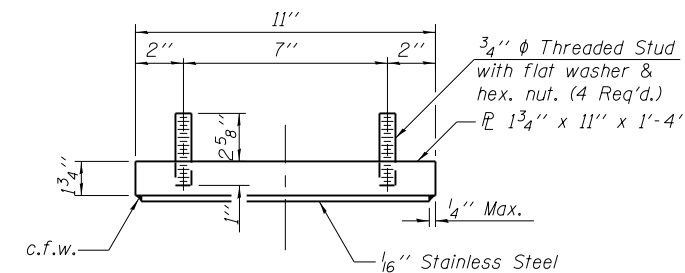
Equivalent rolled angle with stiffeners will be allowed in lieu of welded plates.

**BILL OF MATERIAL**

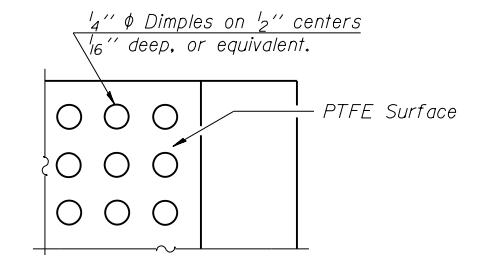
| Item                                  | Unit | Total |
|---------------------------------------|------|-------|
| Elastomeric Bearing Assembly, Type I  | Each | 22    |
| Elastomeric Bearing Assembly, Type II | Each | 22    |
| Anchor Bolts, 3/4"                    | Each | 44    |
| Anchor Bolts, 1"                      | Each | 44    |

**NOTES**

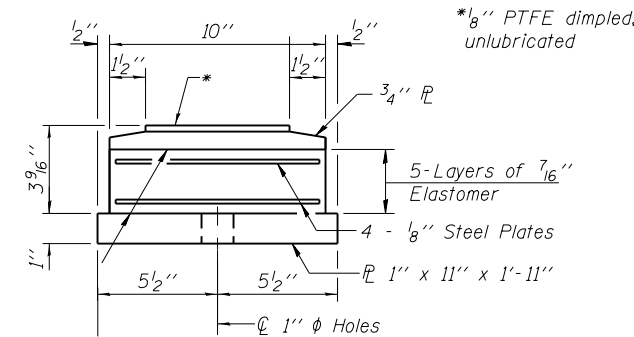
- Anchor bolts shall be ASTM F1554 all-thread (or an Engineer-approved alternate material) of the grade(s) and diameter(s) specified. The corresponding specified grade of AASHTO M314 anchor bolts may be used in lieu of ASTM F1554.
- Anchor bolts for side retainers for Type I bearings may be cast in place or installed in holes drilled before or after members are in place.
- Anchor bolts for Type II bearings shall be placed in holes drilled in the concrete through holes in the bottom bearing plate after members are in place. Side retainers shall be placed after bolts are installed.
- Drilled and set anchor bolts shall be installed according to Article 521.06 of the Standard Specifications.
- Side retainers and other steel members required for the elastomeric bearing assembly shall be included in the cost of Elastomeric Bearing Assembly, Type I or Type II.
- The structural steel plates of the Bearing Assembly shall conform to the requirements of AASHTO M 270 Grade 50.
- The 1/8" PTFE sheet shall be bonded directly to the top steel plate with a two-component, medium viscosity epoxy resin, conforming to the requirements of the Federal Specification MMM-A-134, Type I. The bond agent shall be applied on the full area of the contact surfaces.
- Bonding of 1/8" PTFE sheet during vulcanizing process will be permitted provided the process and method of adjusting assembly height is approved by the Engineer.
- Two 1/8 in. adjusting shims shall be provided for each bearing in addition to all other plates or shims and placed as shown on bearing details.
- All bearings plates, side retainers, anchor bolts, nuts, washers and pintles shall be galvanized according to AASHTO M111 or M232 as applicable.



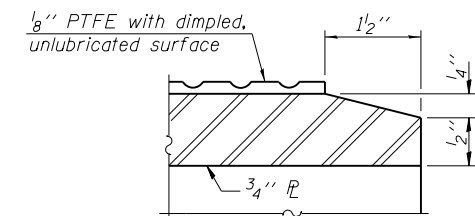
**TOP BEARING ASSEMBLY**



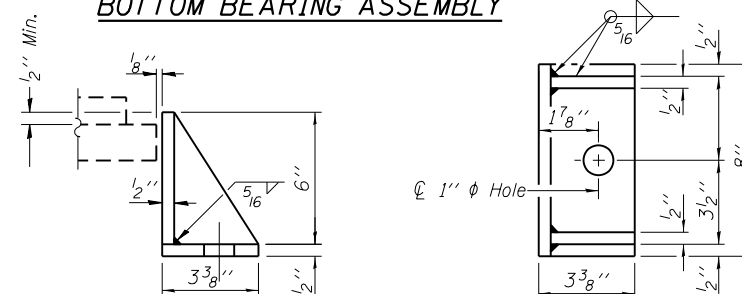
**PLAN-PTFE SURFACE**



**BOTTOM BEARING ASSEMBLY**

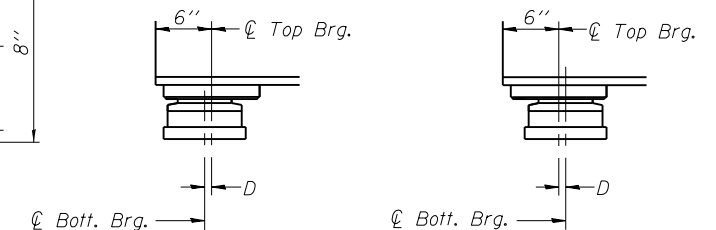


**SECTION THRU PTFE**



**SIDE RETAINER**

Equivalent rolled angle with stiffeners will be allowed in lieu of welded plates.



**BELOW 50°F.** (Move bott. brg. away from fixed brg.)  
**ABOVE 50°F.** (Move bott. brg. toward fixed brg.)

**SETTING ANCHOR BOLTS AT EXP. BRG.**

D = 1/8" per each 100' of expansion for every 15° temp. change from the normal temp. of 50°F.

H:\p\p201\2015023\CAD\Structural\dwg\06-1149\_Final\06-1149-Exp-Brg-dt.dwg 5/20/2015 10:24:09 AM