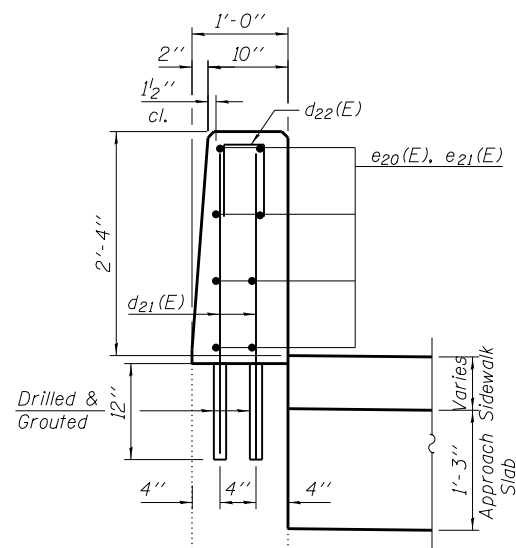
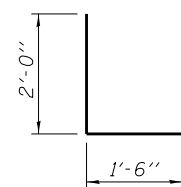


**FOUR WINGWALLS
BILL OF MATERIAL**

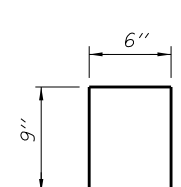
Bar	No.	Size	Length	Shape
d21(E)	344	#6	3'-2"	—
d22(E)	44	#4	2'-0"	□
d23(E)	6	#6	3'-6"	L
d24(E)	10	#6	8'-11"	U
e20(E)	16	#5	40'-8"	—
e21(E)	16	#5	39'-3"	—
e22(E)	8	#5	2'-10"	—
e23(E)	8	#5	2'-8"	—
Concrete Removal			Cu. Yds.	15
Reinforcement Bars, Epoxy Coated			Pound	3,240
Concrete Superstructure			Cu. Yds.	13.7
Structural Repair of Concrete (Depth equal to or less than 5")			Sq. Ft.	30
Epoxy Crack Injection			Ft.	6



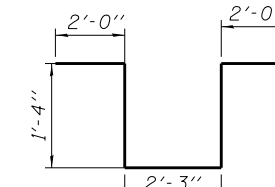
SECTION THRU PARAPET



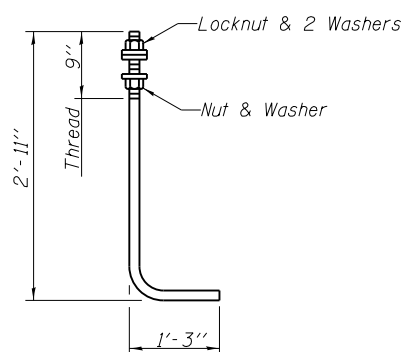
BARS d23(E)



BAR d22(E)

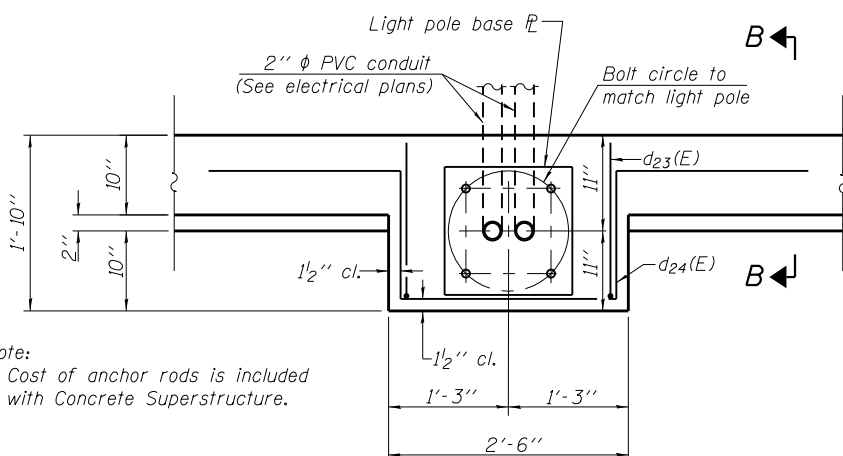


BAR d24(E)



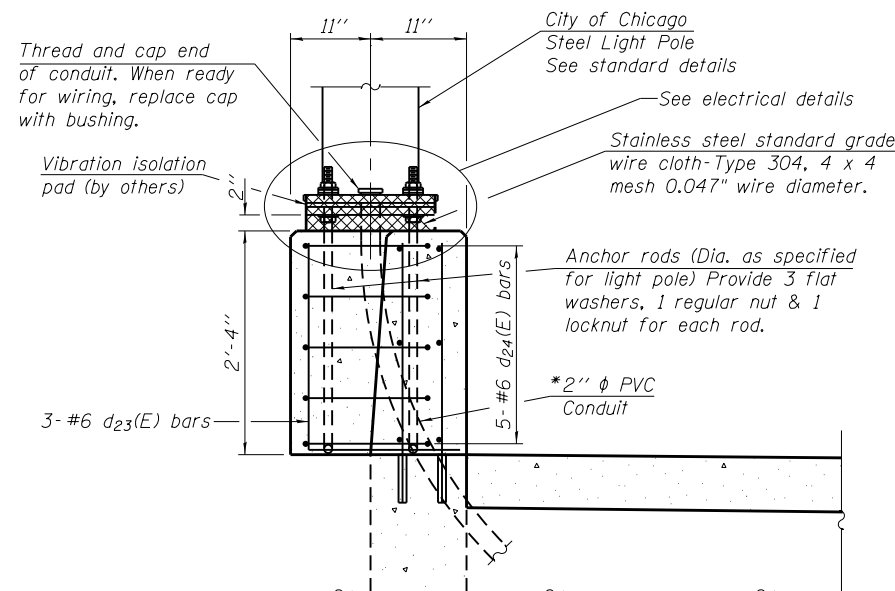
ANCHOR ROD

Diameter as specified for light poles.
(ASTM F 1554 Grade 105)



PLAN-LIGHT POLE BASE

Note:
Cost of anchor rods is included
with Concrete Superstructure.



SECTION B-B

*Chip concrete at top of existing
wingwall to fit the conduit.

H:\projects\2015\20150221\CAD\Structure\dwg\06-1149-Final\00\Di60J15-s37-ww-dt.dgn
 5/20/2015 11:24:37 AM

USER NAME =	DESIGNED - J.Z.	REVISED -
	CHECKED - J.A.Z.	REVISED -
PLOT SCALE =	DRAWN - E.E.J.	REVISED -
PLOT DATE =	DATE - 5/17/2013	REVISED -

F.A.I. R.T.E.	SECTION	COUNTY	TOTAL SHEETS	SHEET NO.
94	1920-B	COOK	137	96
CONTRACT NO. 60J15				