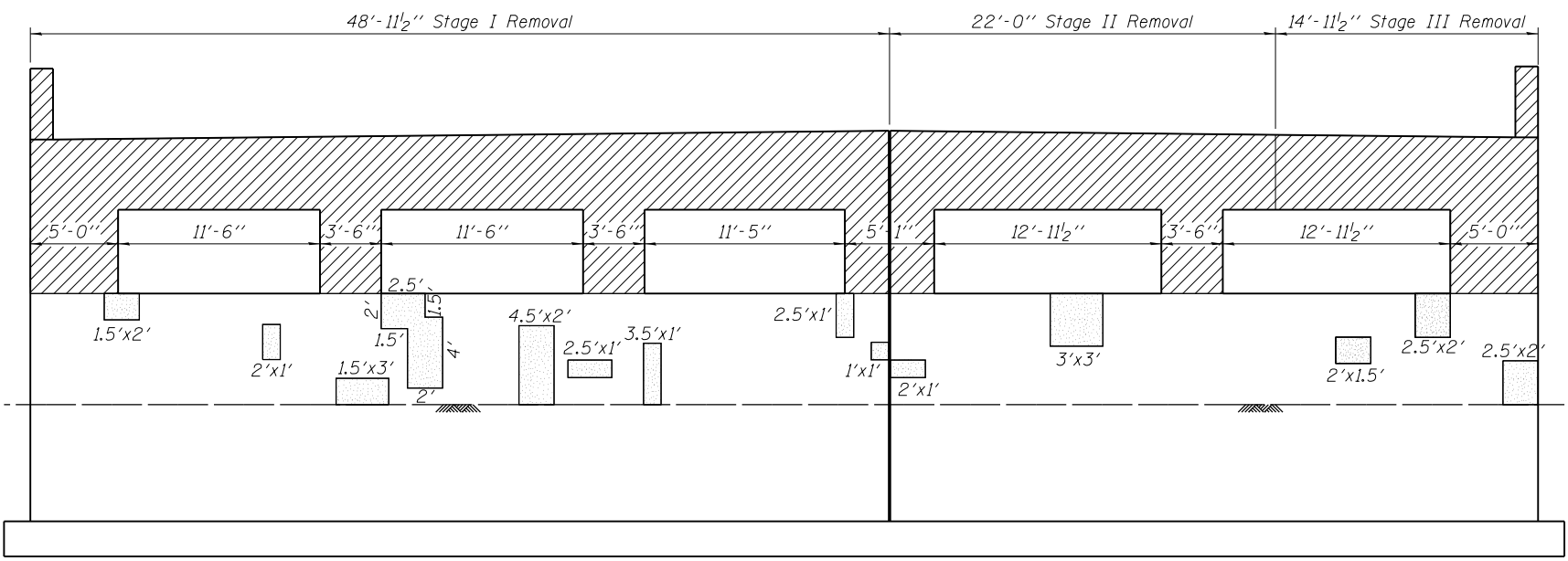


PIER 3 ELEVATION
(Looking East)



PIER 3 ELEVATION
(Looking West)

BILL OF MATERIAL

Item	Unit	Quantity
Concrete Removal	cu. yd.	47
Structural Repair of Concrete (Depth Equal to or Less than 5")	sq. ft.	189

LEGEND

- Concrete Removal
- Structural Repair of Concrete (Depth Equal to or Less than 5")

NOTES

1. Clean and reuse 8'-7" length of existing #9 vertical column bars at all columns. Cost included with Concrete Removal.

H:\projects\2013\0223\CAD\Structural\pier3-r-rep.dgn
 5/20/2013 11:24:46 AM