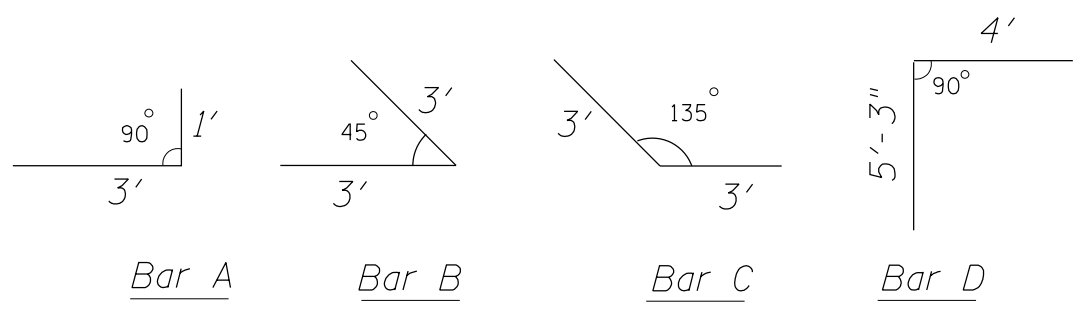
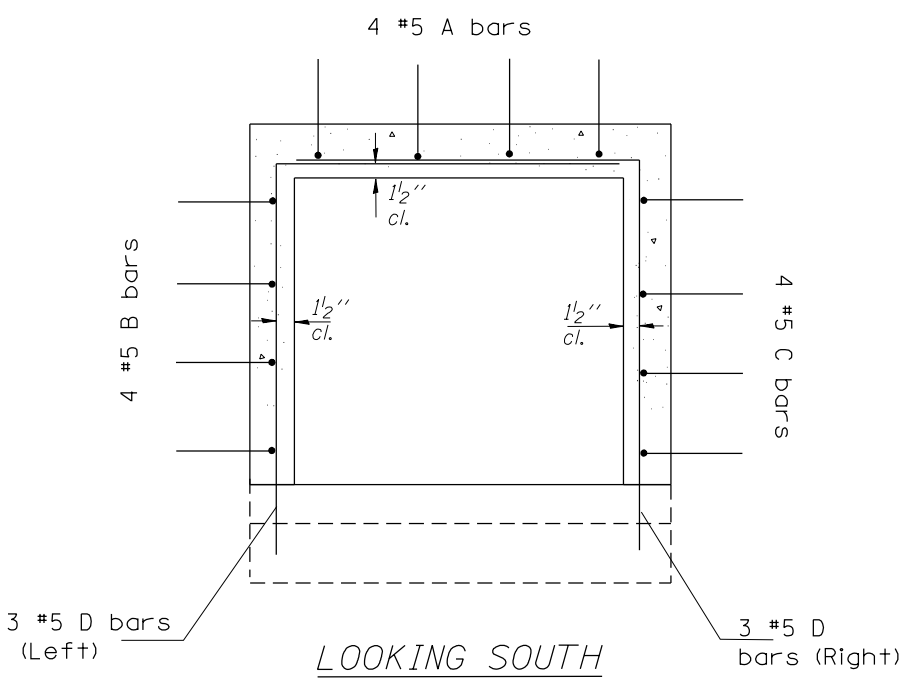


bar size	min lap	
	barrels	wall
#4	1'-4"	1'-8"
#5	1'-8"	2'-2"
#6	2'-0"	2'-7"
#7	2'-9"	3'-5"
#8	3'-8"	4'-6"
#9	4'-7"	5'-9"



BILL OF MATERIALS

bar	quant	size	length	shape
A	4	#5	4'-0"	L
B	4	#5	6'-0"	L
C	4	#5	6'-0"	L
D	6	#5	9'-3"	L
H1	4	#5	6'-6"	—
H2	4	#5	9'-3"	—
H3	2	#5	21'-6"	—
V	19	#5	6'-3"	—
Reinforcement bars (pounds)				360
CONCRETE (CU. YD)				2.9
CONCRETE REMOVAL CU. YD				2.3



NOTES

- FOR EACH BAR A,B,C,D, AND V BARS DRILL 3/4" DIA HOLE 1' DEEP MINIMUM.
- FILL DRILLED HOLES WITH EPOXY TO INSTALL ABOVE RE-BARS
- THE COSTS FOR DRILLING HOLES AND FILLING WITH EPOXY ARE INCLUDED IN THE UNIT PRICE OF CONCRETE REMOVAL (CU YD)