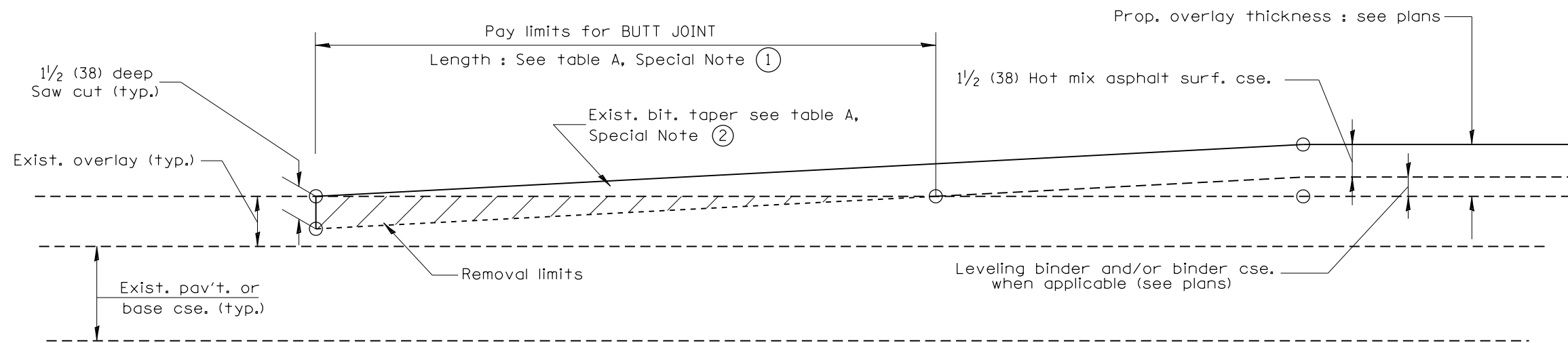
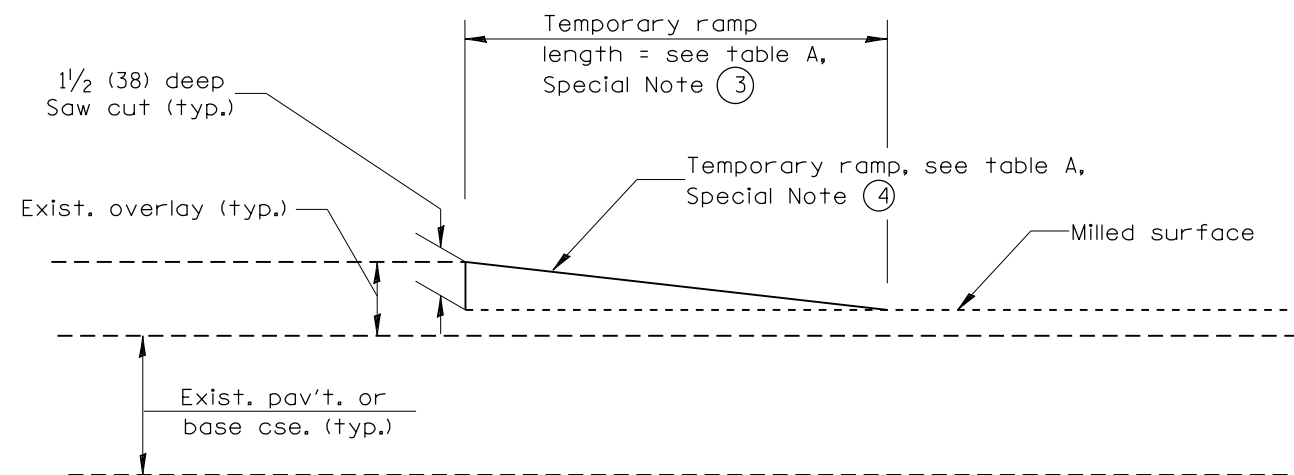


**CASE 3 : WITH HOT MIX ASPHALT SURFACE REMOVAL (COLD MILLING)**  
**TIE-IN TO EXISTING BITUMINOUS TAPER**



**CASE 4 : NO HOT MIX ASPHALT SURFACE REMOVAL (COLD MILLING)**  
**TIE-IN TO EXISTING BITUMINOUS TAPER**



**DETAIL TEMPORARY RAMP**

All dimensions are in inches (millimeters) unless otherwise noted.

				<b>STATE OF ILLINOIS DEPARTMENT OF TRANSPORTATION</b>		<b>BUTT JOINTS</b>		F.A. RTE. FAS 2402	SECTION (110,111,112,113)RS-3;	COUNTY	TOTAL SHEETS	SHEET NO.
				NOT TO SCALE		SHT. 2 OF 3 CADD STD. 406101-D4		U.S. 150	114RS-4;112C-2	PEORIA	76	56
								FED AID PROJECT		CONTRACT NO. 68614		