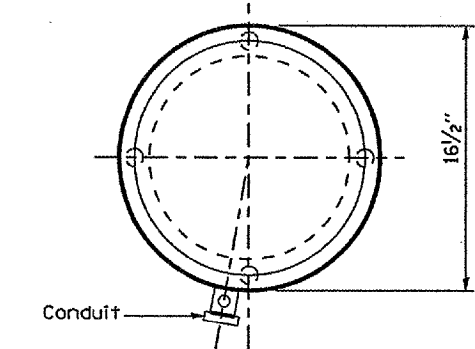
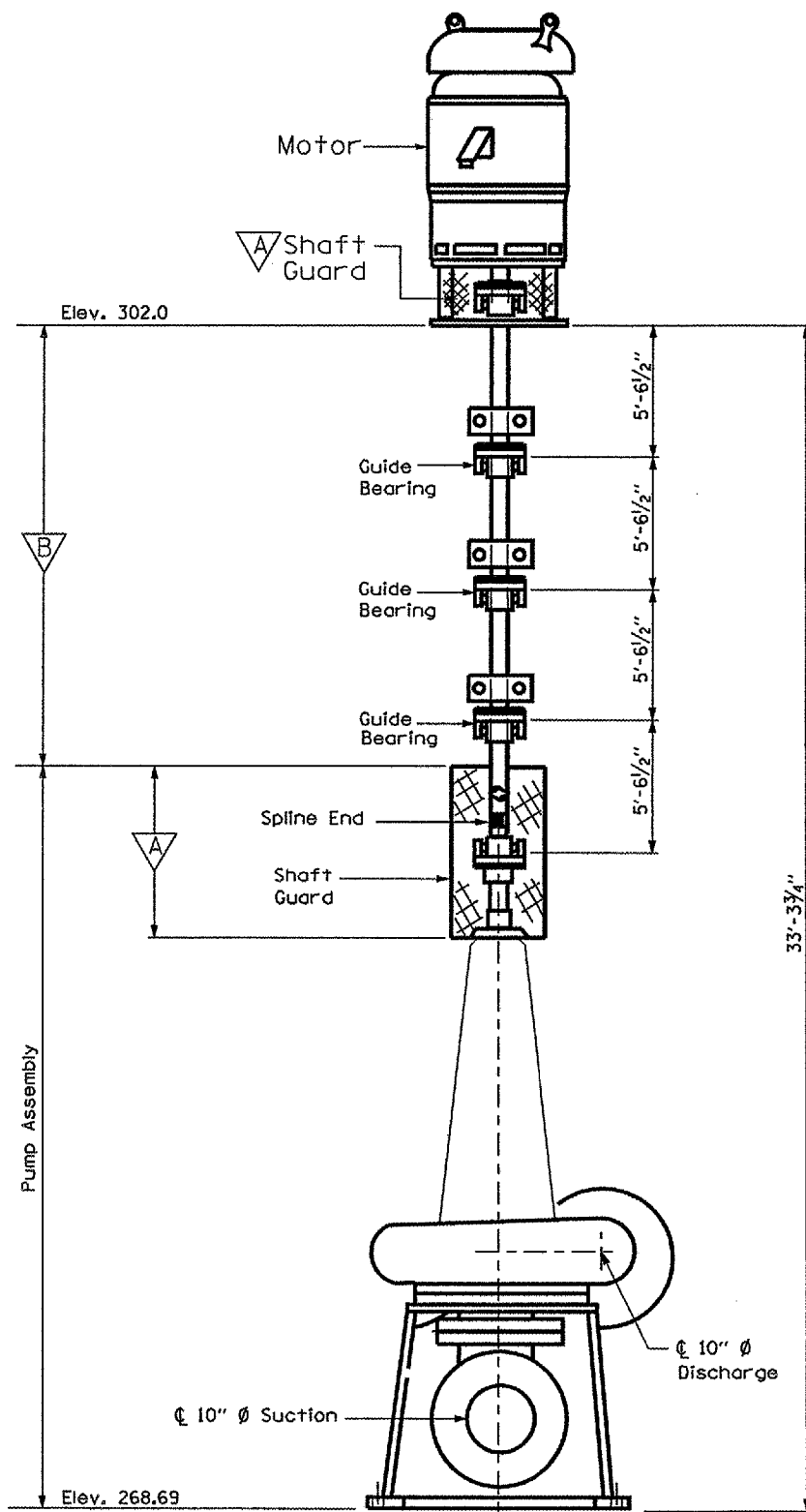


F.A.P. RTE.	SECTION	COUNTY	TOTAL SHEETS	SHEET NO.
332	(2SB-FAGH)I	IROQUOIS	14	7
FED. ROAD DIST. NO.		ILLINOIS	STATE AID PROJECT	

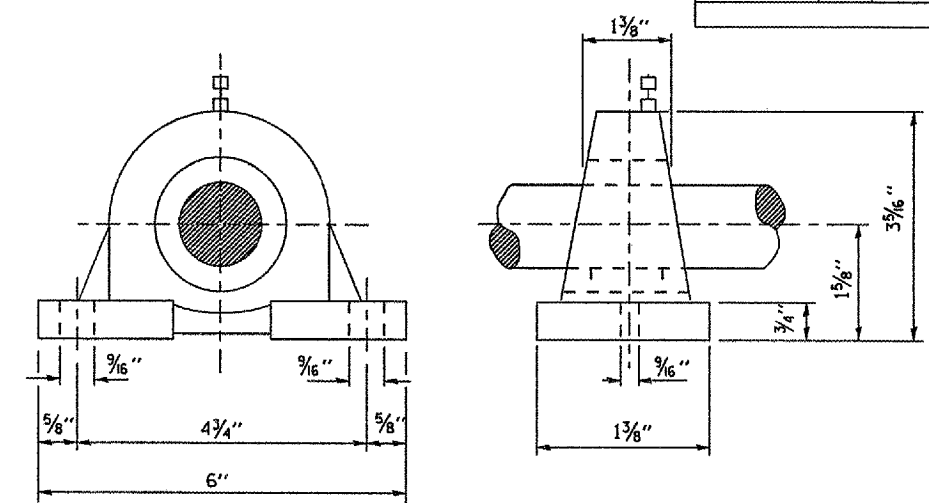


TOP VIEW OF MOTOR BASE

△ Area protected by shaft guard supplied by manufacturer of motor or pump.

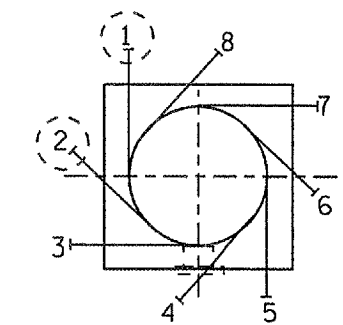
▽ Area protected by shaft guard supplied by Contractor.

NOTE: THE CONTRACTOR SHALL VERIFY ALL DIMENSION IN THE FIELD PRIOR TO ORDERING OF MATERIALS TO REMOVAL OF EQUIPMENT



GUIDE BEARING DETAILS

SHAFT DIA. 1 3/16"
SHAFT SERIES V37

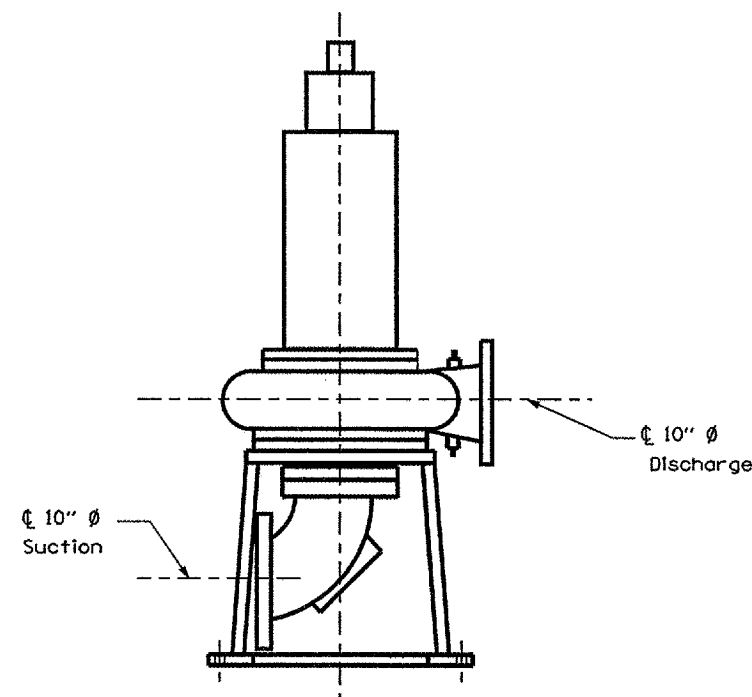


Drawings illustrates the discharge positions available for C.W. and C.C.W. Rotation when viewed from the driver end of pump. Positions 1 and 9 are considered Standard.

Position circled () is position of existing pumps.

FLANGE DIMENSIONS					
	NOM. SIZE	FLG. O.D.	NO. OF BOLTS	BOLT DIA.	B.C. DIA.
DISCHARGE	10"	16"	12"	7/8"	14 1/4"
SUCTION	10"	16"	12"	7/8"	14 1/4"

All flanges shall be 125 lb. ANSI



PUMP DETAILS

NOTE: This Pump uses a 16" Impellar

DATE: JANUARY 7, 2007
FILE: c:\projects\cmain08\cm309\details.dgn

REVISIONS	
NAME	DATE

ILLINOIS DEPARTMENT OF TRANSPORTATION
EXISTING PUMP HOUSE
DETAILS
FAP ROUTE 322 (IL 1) SECTION (2SB-FAGH)I
IROQUOIS COUNTY
MILFORD PUMP STATION
S.N. 038-0024