

F.A.P. RTE.	SECTION	COUNTY	TOTAL SHEETS	SHEET NO.
332	(2SB-FAGH)I	IROQUOIS	14	13
FED. ROAD DIST. NO.		ILLINOIS	STATE AID PROJECT	

SCHEDULE - STATIONARY LOUVER		
MARK	SL-1,2,3,4	
MANUFACTURER	RUSKIN OR APPROVED EQUAL	
MODEL	ELF375DX	
TYPE	DRAINABLE	
CFM	1000	
MAX. S.P. (IN)	0.1	
NOM. SIZE	WIDTH	32
	HEIGHT	22
	DEPTH	2.45
AREA (SQ FT)	NET	4.88
	FREE	1.33
FRAME	FLANGE	
MATERIAL	ALUMINUM	
FINISH	KYNAR	
ACCESSORIES	SEE NOTES 1,2,3,4,5	
REMARKS	LOCATE IN EXISTING OPENINGS	

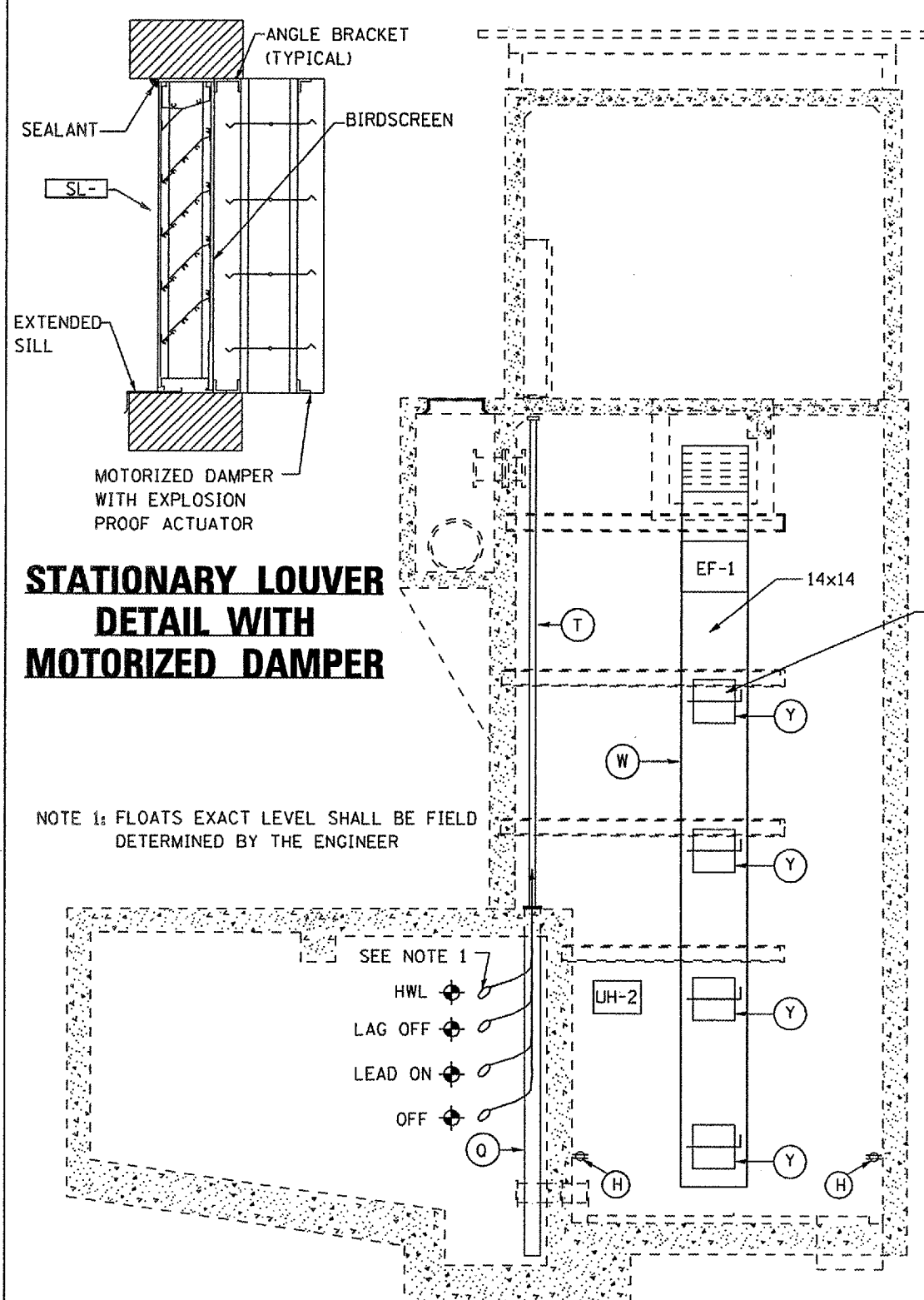
- NOTES: 1. COLOR TO BE SELECTED BY OWNER
 2. BIRD SCREEN
 3. EXTENDED SILL
 4. MOTORIZED DAMPER W/ 115 V ACTUATOR (POWER OPEN/SPRING CLOSE)
 5. INTERLOCK DAMPER OPERATION WITH EF-1

SCHEDULE - ELECTRIC UNIT HEATER		
MARK	UH-1,2	
MANUFACTURER	CHROMALOX OR APPROVED EQUAL	
MODEL	LUH-10-43-32	
TYPE	HORIZONTAL	
INPUT KW	10	
BTUH	34130	
FAN	CFM	850
	RPM	1725
	HP	1/15
ELECT.	VOLT	480
	PHASE	3
	AMPS	12.9
ACCESSORIES	SEE NOTES 1,2,3	
REMARKS		

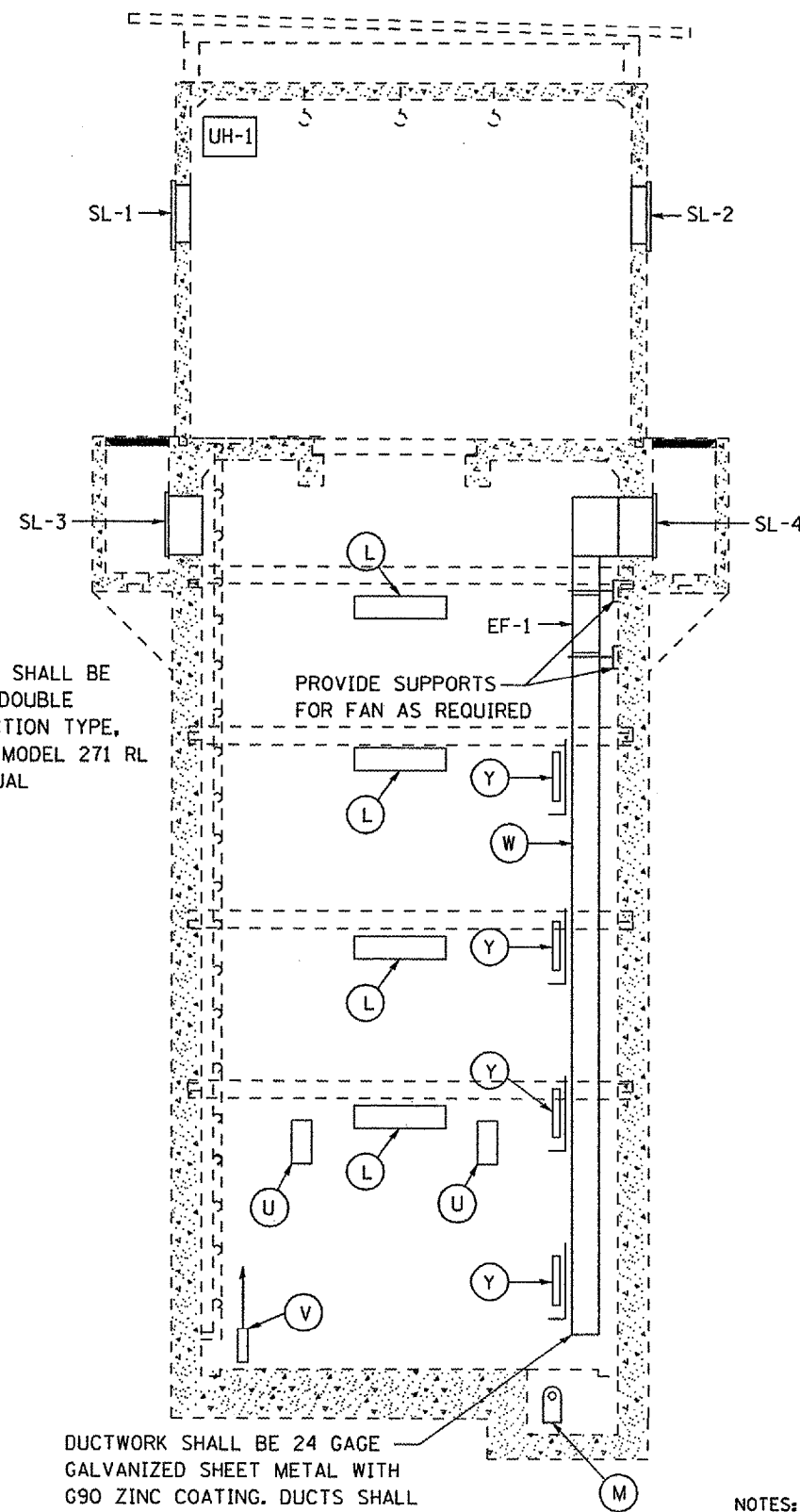
- NOTES: 1. MOUNT KIT
 2. DISCONNECT SWITCH
 3. INTEGRAL THERMOSTAT

SCHEDULE - FAN		
MARK	EF-1	
MANUFACTURER	GREENHECK OR APPROVED EQUAL	
MODEL	SEI-12-432-D8	
TYPE	INLINE	
CFM	1000	
S.P.	0.75"	
FAN RPM	1725	
MOTOR	HP	1/4
	VOLT	115
	PHASE	1
	RPM	1725
ACCESSORIES	SEE NOTES 1,2,3	
REMARKS	6 ACH CONT. VENTILATION	

- NOTES: 1. DISCONNECT SWITCH
 2. VERTICAL MOUNT
 3. SPRING ISOLATORS



SECTION C-C



SECTION D-D

DUCTWORK SHALL BE 24 GAGE GALVANIZED SHEET METAL WITH G90 ZINC COATING. DUCTS SHALL BE CONSTRUCTED COMPLYING WITH SMACNA "HVAC DUCT CONSTRUCTION STANDARDS" FOR 1" W.G. PRESSURE.

**STATIONARY LOUVER
 DETAIL WITH
 MOTORIZED DAMPER**

NOTE 1: FLOATS EXACT LEVEL SHALL BE FIELD DETERMINED BY THE ENGINEER

DATE: JANUARY 7, 2007
 FILE: c:/projects/cmain08/cm309/details.dgn

REVISIONS	
NAME	DATE

ILLINOIS DEPARTMENT OF TRANSPORTATION
**EQUIPMENT & ELECTRICAL
 REPLACEMENT DETAILS**
 FAP ROUTE 322 (IL 1) SECTION (2SB-FAGH)I
 IROQUOIS COUNTY
 MILFORD PUMP STATION
 S.N. 038-0024