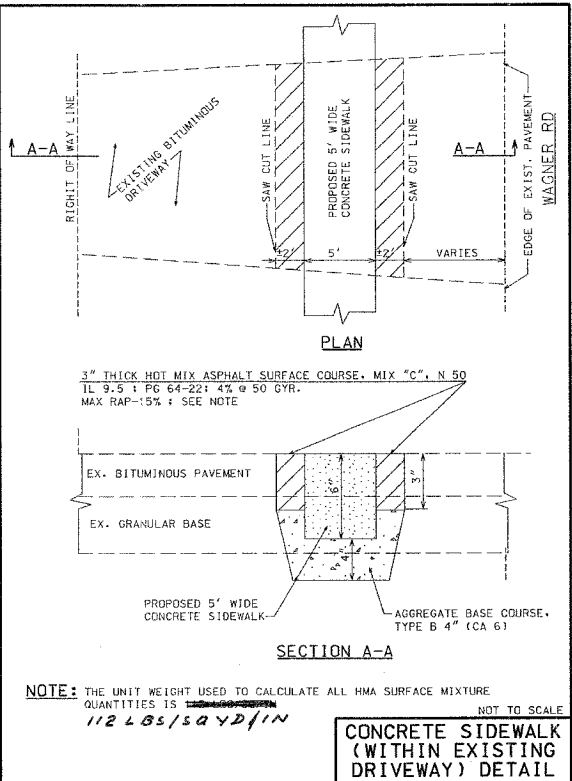
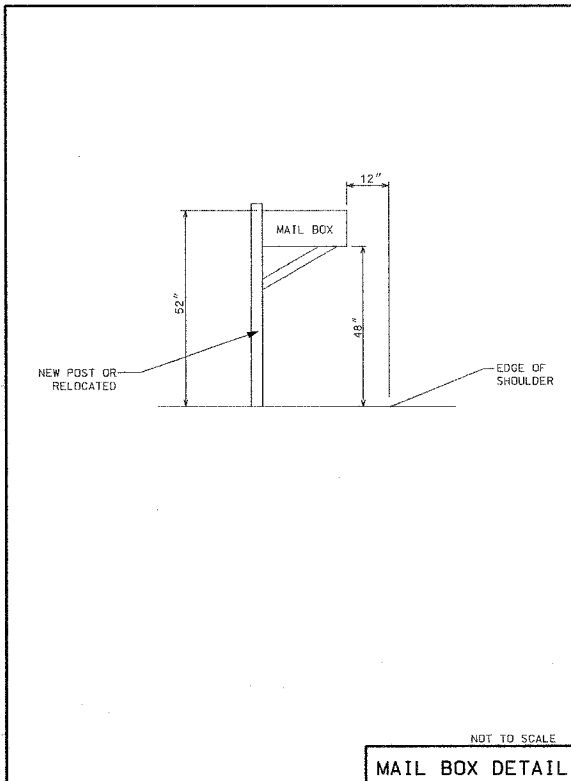
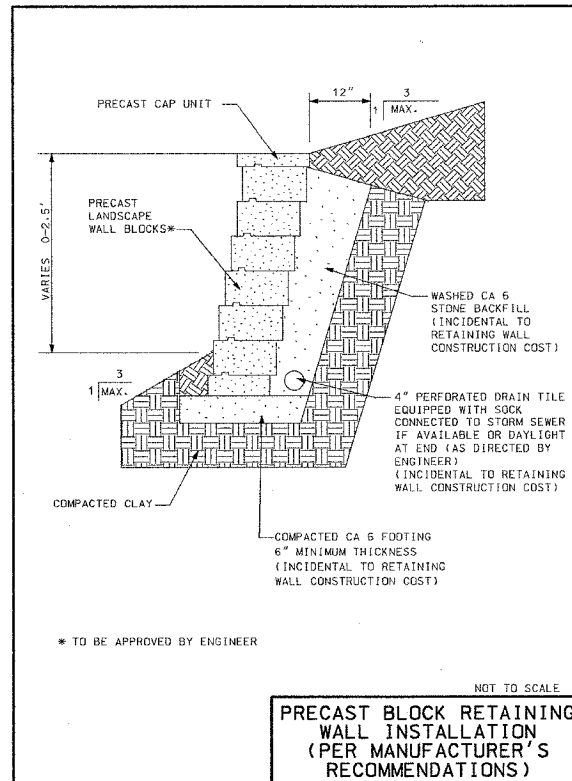
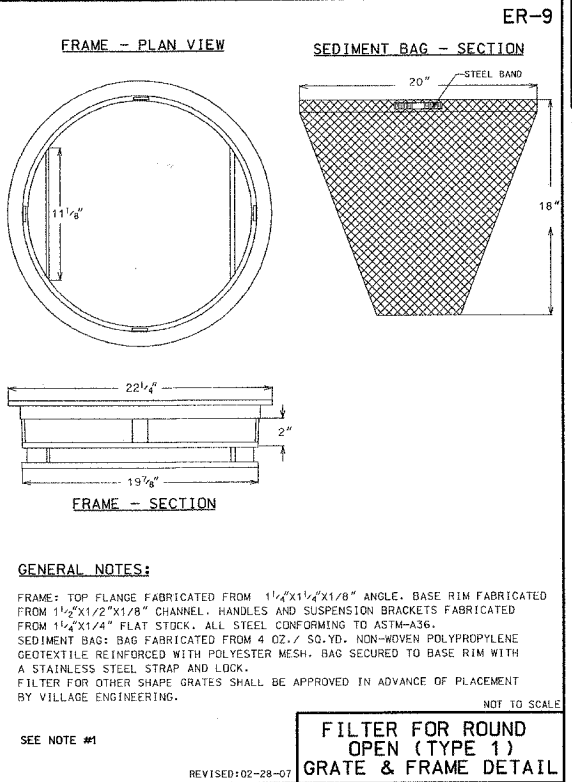
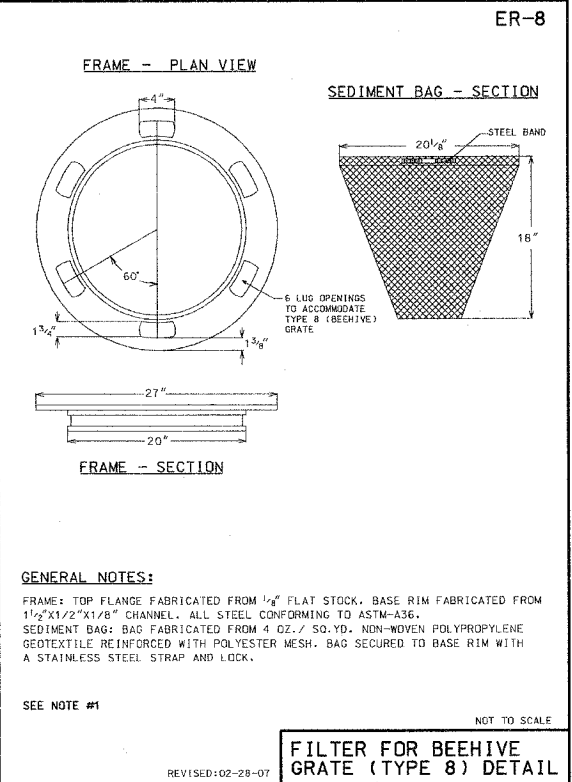
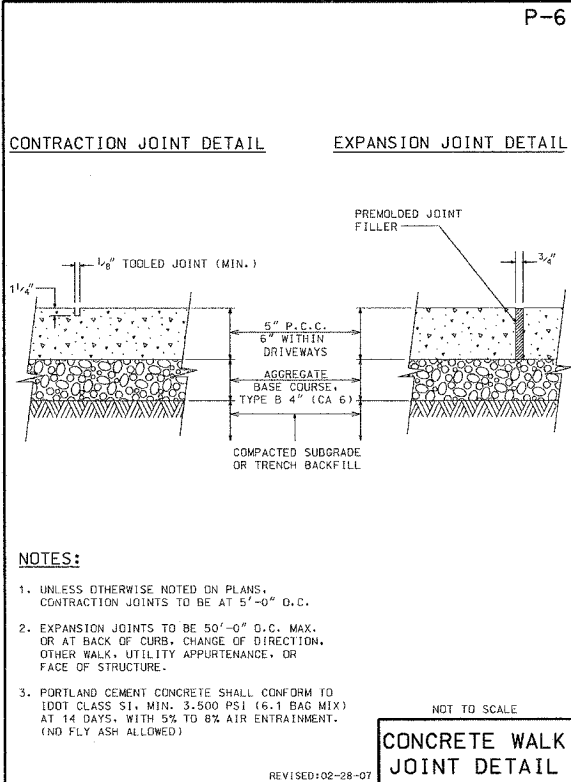
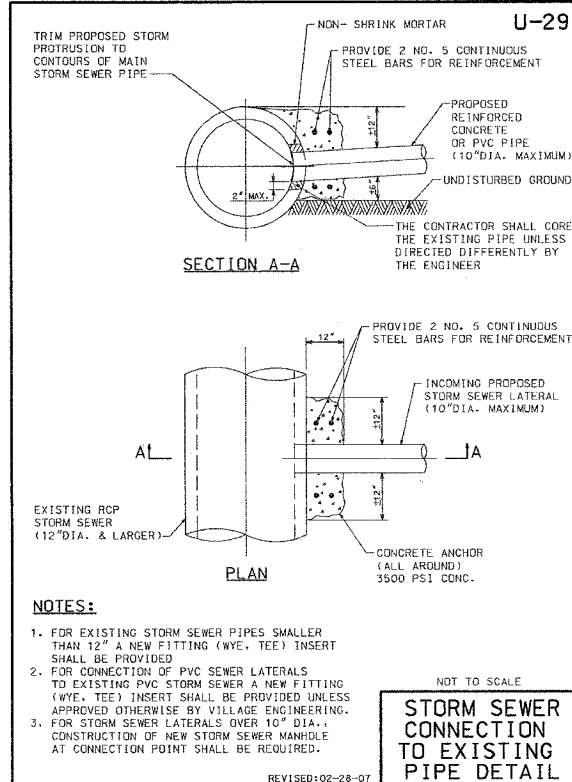


SECTION	COUNTY	TOTAL SHEETS	SHEET NO.
123	07-00165-00-SW	COOK	7
PROJECT NUMBER		CMM-8003 (818)	
CONTRACT NUMBER		83922	



**NOTE #1:**  
THE 'INLET FILTERS' COST ITEM INDICATED IN THE 'SUMMARY OF QUANTITIES' (SHEET #2) APPLIES TO THE VILLAGE'S STANDARD DETAILS ER-8 AND ER-9.

WAGNER ROAD SIDEWALK IMPROVEMENTS			SHEET
GLENVIEW, ILLINOIS			7
CONSTRUCTION DETAILS			OF 7
05-14-07	E.L.	IDOT COMMENTS	DATE 03-22-07
04-02-07	E.L.	IDOT COMMENTS	
DATE	BY	REVISION	