

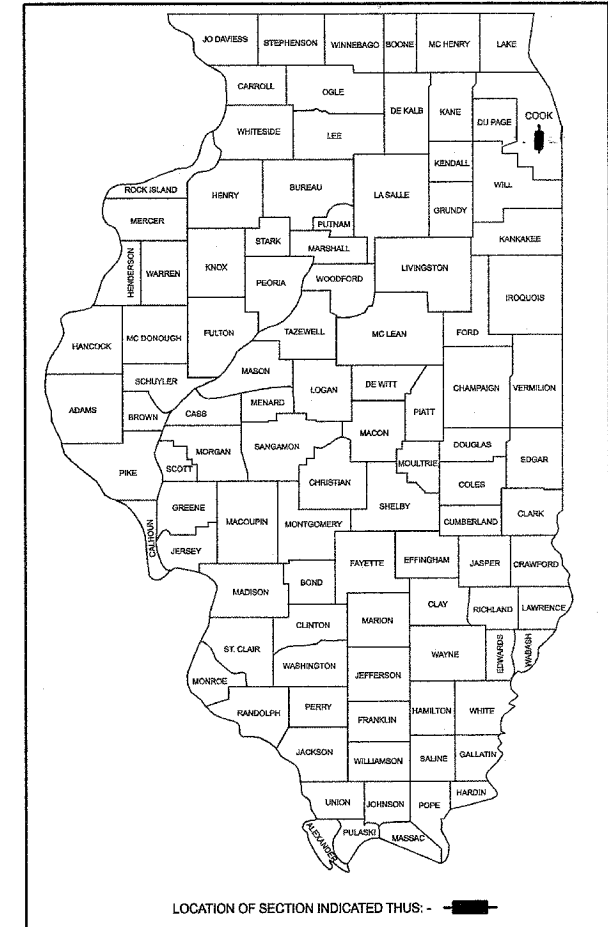
INDEX OF SHEETS

- SHEET 1 COVER SHEET
- SHEET 2 SUMMARY OF QUANTITIES & SECTIONS
- SHEET 3 GENERAL NOTES AND EAST SIDEWALK PLAN - STATION 1+15 TO 4+30
- SHEET 4 EAST SIDEWALK PLAN - STATION 4+30 TO 13+65
- SHEET 5 WEST SIDEWALK PLAN - STATION 46+05 TO 51+72
- SHEET 6 CONSTRUCTION DETAILS
- SHEET 7 CONSTRUCTION DETAILS

LEGEND	
EXISTING	PROPOSED
	STORM SEWER
	SANITARY SEWER
	WATER MAIN
	MANHOLE
	CATCHBASIN
	INLET
	FIRE HYDRANT
	VALVE VAULT
	LIGHT POLE
	POWER POLE
	MAIL BOX
	CURB AND GUTTER
	DEPRESSED CURB
	PRECAST BLOCK RETAINING WALL

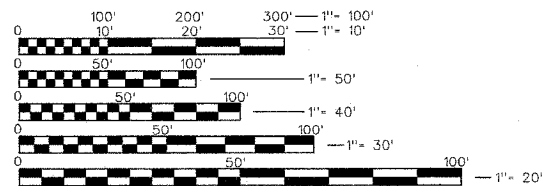
STATE OF ILLINOIS
DEPARTMENT OF TRANSPORTATION
PLANS FOR
PROPOSED FEDERAL AID
SIDEWALK IMPROVEMENT
WAGNER ROAD (WEST LAKE AVENUE TO WINNETKA ROAD)
SECTION: 07-00165-00-SW
VILLAGE OF GLENVIEW
PROJECT NUMBER CMM-8003 (818)
PROJECT
COOK COUNTY
C-91-286-07

SECTION	COUNTY	TOTAL SHEETS	SHEET NO.
1 2 3	07-00165-00-SW	COOK	7 1
PROJECT NUMBER		CMM-8003 (818)	
CONTRACT NUMBER		83922	

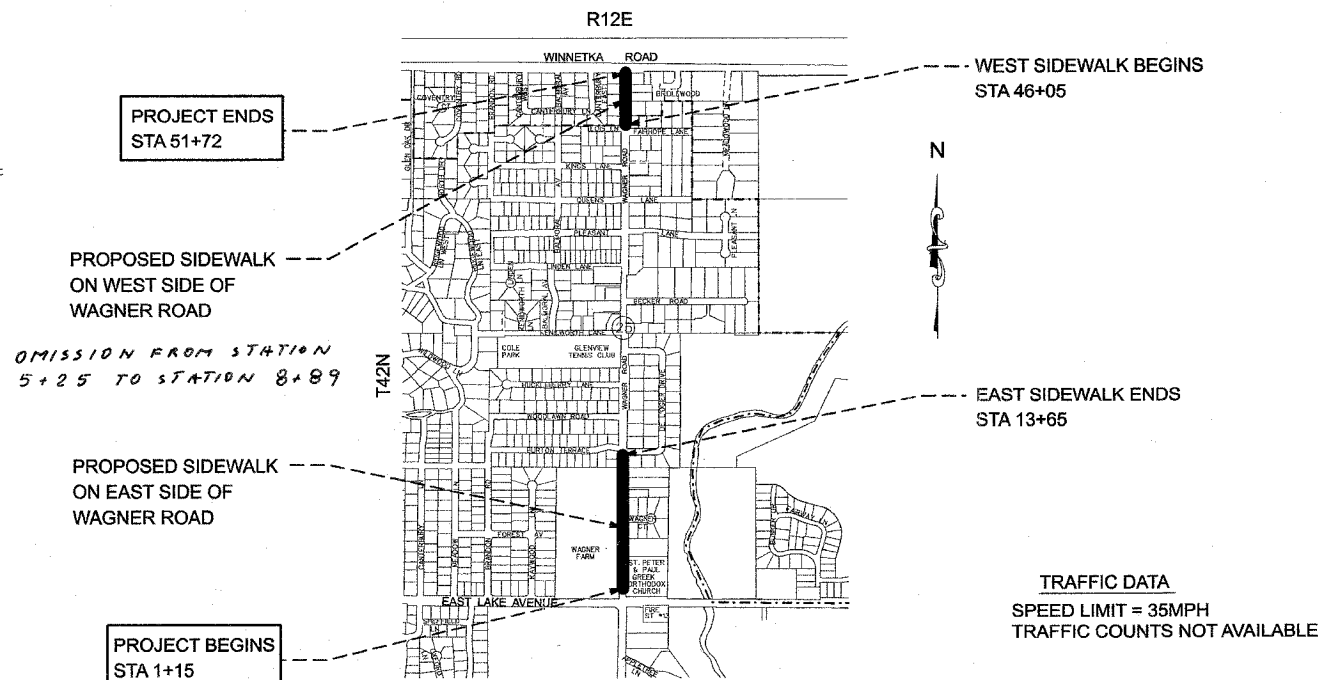


ILLINOIS DEPARTMENT OF TRANSPORTATION STANDARD DRAWINGS

- 000001-04 STANDARD SYMBOLS, ABBREVIATIONS AND PATTERNS
- 424001-04 STANDARD RAMPS FOR SIDEWALKS
- 701006-02 OFF-RD OPERATIONS, 2L, 2W, 15' TO 24" FROM PAVEMENT EDGE
- 701011-01 OFF-RD MOVING OPERATIONS, 2L, 2W, DAY ONLY
- 701301-02 LANE CLOSURE, 2L, 2W, SHORT TIME OPERATIONS
- 701311-02 LANE CLOSURE 2L, 2W MOVING OPERATIONS-DAY ONLY
- 701501-03 URBAN LANE CLOSURE, 2L, 2W, UNDIVIDED
- 702001-06 TRAFFIC CONTROL DEVICES



FULL SIZE PLANS HAVE BEEN PREPARED USING STANDARD ENGINEERING SCALES. REDUCED SIZES PLANS WILL NOT CONFORM TO STANDARD SCALES. IN MAKING MEASUREMENTS ON REDUCED PLANS THE ABOVE SCALES MAY BE USED.



TRAFFIC DATA
SPEED LIMIT = 35MPH
TRAFFIC COUNTS NOT AVAILABLE

STATE OF ILLINOIS DEPARTMENT OF TRANSPORTATION	
Approved	<u>5.25</u> , 2007 <i>Kerry D. Cummings</i> Village of Glenview
Passed	<u>MAY 31</u> , 2007 <i>CHRISTOPHER WALT</i> District #1 Engineer of Local Roads & Streets
Releasing for Bid Based on Limited Review	<u>June 1, 2007</u> <i>Diane O'Keefe</i> Deputy Director of Highways, Region #1 Engineer

FEDERAL AID DESIGN ENGINEER
JESSICA FELICIANO / (847) 705-4487

PLANS PREPARED BY GLENVIEW
CAPITAL PROJECTS DEPARTMENT

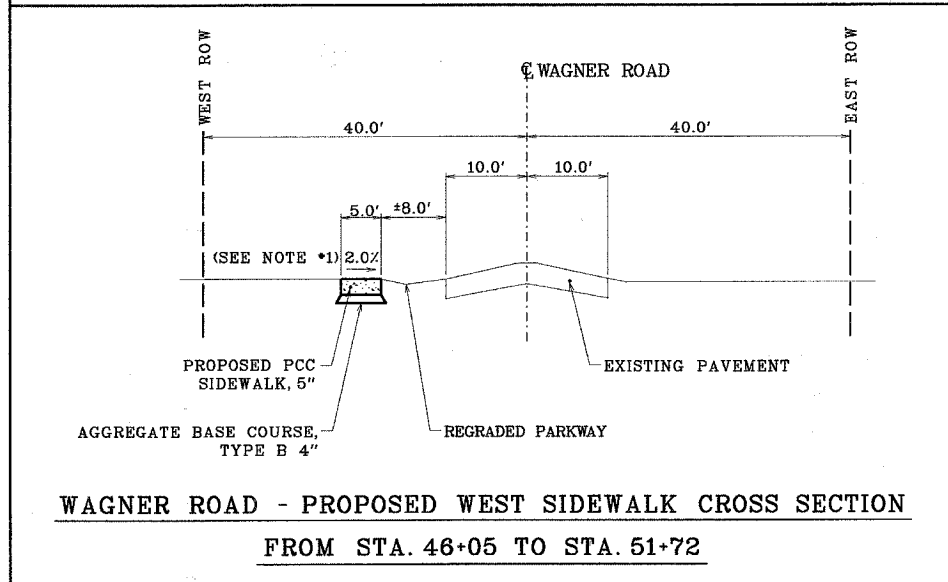
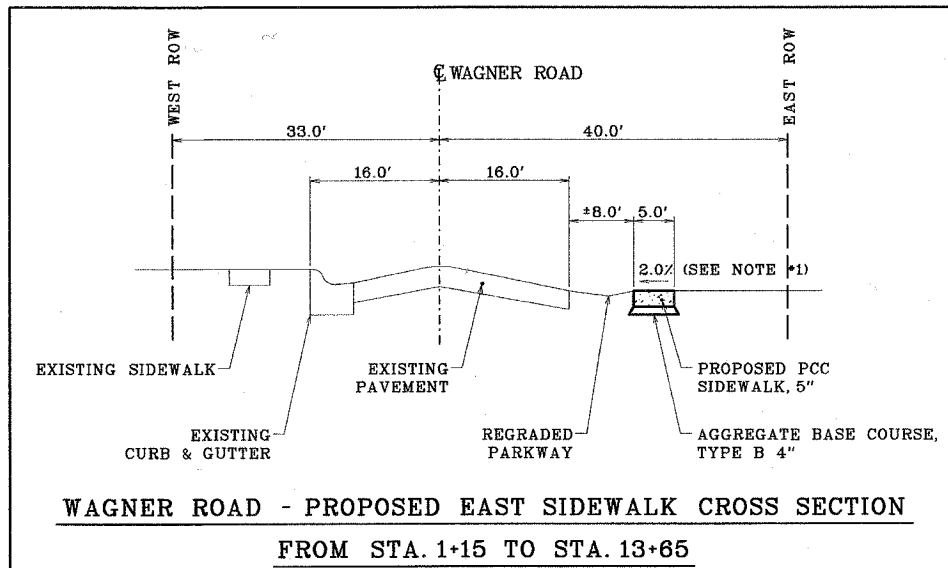
CONTRACT NO.: 83922



PRINTED BY AUTHORITY OF THE
STATE OF ILLINOIS

	SECTION	COUNTY	TOTAL SHEETS	SHEET NO.
123	07-00165-00-SW	COOK	7	2
PROJECT NUMBER		CMM-8003 (818)		
CONTRACT NUMBER		83922		

SUMMARY OF QUANTITIES				
CODE NO.	PAY ITEM	UNIT	TOTAL	SFTY 1B
20101000	TEMPORARY FENCE	FOOT	350	350
20101200	TREE ROOT PRUNING	EACH	6	6
20101350	TREE PRUNING (OVER 10 INCH DIAMETER)	EACH	9	9
20201200	REMOVAL & DISPOSAL OF UNSUITABLE MATERIAL	CU YD	250	250
20600110	GRANULAR EMBANKMENT, SPECIAL	TON	45	45
20800150	TRENCH BACKFILL	CU YD	90	90
21101615	TOPSOIL FURNISH AND PLACE, 4"	SQ YD	3,000	3,000
25001020	SEEDING CLASS 2A (SPECIAL)	ACRE	0.100	0.100
25100630	EROSION CONTROL BLANKET	SQ YD	500	500
25200110	SODDING, SALT TOLERANT	SQ YD	2,500	2,500
25200200	SUPPLEMENTAL WATERING	UNIT	15	15
28000510	INLET FILTERS	EACH	13	13
28100103	STONE RIPRAP, CLASS A2	SQ YD	5	5
35101600	AGGREGATE BASE COURSE, TYPE B 4"	SQ YD	1,000	1,000
35800100	PREPARATION OF BASE	SQ YD	1,000	1,000
40603310	HOT-MIX ASPHALT SURFACE COURSE MIX C, N50	TON	35	35
42400200	PORTLAND CEMENT CONCRETE SIDEWALK 5 INCH	SQ FT	5,650	5,650
42400300	PORTLAND CEMENT CONCRETE SIDEWALK 6 INCH	SQ FT	1,360	1,360
42400800	DETECTABLE WARNINGS	SQ FT	50	50
44000200	DRIVEWAY PAVEMENT REMOVAL	SQ YD	340	340
44000600	SIDEWALK REMOVAL	SQ FT	250	250
48100500	AGGREGATE SHOULDER, TYPE A, 6"	SQ YD	150	150
50105225	PIPE CULVERT REMOVAL (SPECIAL)-12" CMP	FOOT	45	45
54213657	PRECAST REINFORCED CONCRETE FLARED END SECTIONS 12"	EACH	1	1
54213660	PRECAST REINFORCED CONCRETE FLARED END SECTIONS 15"	EACH	1	1
54247100	GRATING FOR CONCRETE FLARED END SECTION, 15 INCH	EACH	1	1
550B0050	STORM SEWERS, CLASS B, TYPE 1 12"	FOOT	85	85
550B0070	STORM SEWERS, CLASS B, TYPE 1 15"	FOOT	119	119
56400100	FIRE HYDRANTS TO BE MOVED	EACH	3	3
60200105	CATCH BASINS, TYPE A, 4' -DIAMETER, TYPE 1 FRAME, OPEN LID	EACH	1	1
60200205	CATCH BASINS, TYPE A, 4' -DIAMETER, TYPE 1 FRAME, CLOSED LID	EACH	2	2
60206905	CATCH BASINS, TYPE C, TYPE 1 FRAME, OPEN LID	EACH	2	2
60207005	CATCH BASINS, TYPE C, TYPE 1 FRAME, CLOSED LID	EACH	1	1
60207605	CATCH BASINS, TYPE C, TYPE 8 GRATE	EACH	7	7
60218400	MANHOLES, TYPE A, 4' -DIAMETER, TYPE 1 FRAME, CLOSED LID	EACH	1	1
67100100	MOBILIZATION	L SUM	1	1
70102620	TRAFFIC CONTROL AND PROTECTION, STANDARD 701501	L SUM	1	1
78000400*	THERMOPLASTIC PAVEMENT MARKING-LINE 6"	FOOT	80	80
X0325015	ADJUST FRAME AND LID	EACH	2	2
X4400220	CURB REMOVAL AND REPLACEMENT	FT	22	22
X5427600	REMOVE AND RELOCATE CONCRETE END SECTIONS, 15 INCH	EACH	1	1
X0322917	PROPOSED STORM SEWER CONNECTION TO EXISTING MANHOLE	EACH	1	1
X0323697	RUSTIC RAIL FENCE REMOVAL	FOOT	20	20
Z0013798	CONSTRUCTION LAYOUT	L SUM	1	1
Z0051500	REMOVING AND RESETTING STREET SIGNS	EACH	3	3
X1000610	RELOCATE EXISTING MAIL BOX	EACH	2	2
X1001910	PRECAST BLOCK RETAINING WALL	SQ FT	70	70
XX005656	INLET FILTER CLEANING	EACH	26	26
XX006986	STORM SEWER DUCTILE IRON PIPE, TYPE 1, 8 INCH	FOOT	96	96
* SPECIALTY ITEMS				



HOT-MIX ASPHALT MIXTURE REQUIREMENTS

ITEM	AC TYPE	PERCENT AIR VOIDS	MIX TYPE	MAX RAP %	UNIT WEIGHT LBS/SQ YD/IN
3.0" HOT-MIX ASPHALT SURFACE COURSE MIX "C", N50	PG 64-22	4% @ 50 Gyr.	IL 9.5 mm	15	112

NOTE: THE UNIT WEIGHT USED TO CALCULATE ALL HOT-MIX ASPHALT SURFACE MIXTURES IS 112 LBS/SQ YD/IN.

BENCH MARK:

RAILROAD SPIKE IN THE WEST FACE OF A POWER POLE ON THE WEST SIDE OF THE GREEK ORTHODOX CHURCH PARKING LOT (AT THE NORTHWEST CORNER OF PARKING LOT)
ELEVATION = 632.46

NOTE #1:

SIDEWALK CROSS SLOPE 2.0% TYPICAL, EXCEPT WHERE OTHERWISE SHOWN ON PLANS OR DIRECTED BY THE ENGINEER

WAGNER ROAD SIDEWALK IMPROVEMENTS				SHEET 2
GLENVIEW, ILLINOIS				
SUMMARY OF QUANTITIES & SECTIONS		05-14-07	E.L.	IDOT COMMENTS
		04-02-07	E.L.	IDOT COMMENTS
DATE	BY	REVISION	DATE 03-22-07	

VILLAGE OF GLENVIEW'S

GENERAL NOTES TO THE CONTRACTOR

- The Village Engineer shall be notified 72 hours prior to the start of any construction.
- The contractor shall be responsible for notifying all utility companies for locations of their facilities 48 hours in advance before beginning construction.
- Locations of the existing and proposed utilities shown on drawings are approximate and shall be determined by the Engineer and the Contractor in the field.
- All saw cutting shall be considered incidental to the contract.
- The Contractor shall notify residents in writing, 48 hours prior to the start of any construction which will affect access to their driveways.
- Buffalo boxes in sidewalks and driveways shall be adjusted as needed when work is done. The cost of adjusting the buffalo boxes is incidental to the contract.
- The Village of Glenview will provide water, at no cost to the contractor, from designated hydrants as approved by the Water Department Superintendent. The contractor shall obtain a permit and maintain a record of quantity of water used.
- The Contractor shall carefully protect and be responsible for all trees and shrubs in the work zone. No trees or shrubs shall be trimmed or removed unless directed by the Village.
- All storm sewers within the Wagner Road R.O.W. shall be backfilled with fine aggregate material (FA-6). The cost of FA-6 trench backfill is incidental to the contract.
- The removal and disposal of unsuitable material in accordance with section 202 of the Standard Specifications for Road and Bridge Construction, latest edition, shall include the removal of the pavement; driveway, aprons, curb and gutter, topsoil and earth excavation and all other materials not specifically mentioned in the Summary of Quantities for removal to meet the proposed pavement subgrade.
- Relocate existing mail boxes per Engineers instructions.
- Provide sidewalk ramps at all street crossings as per I.D.O.T. Standard 424001 current revision number.
- The exact length and height of the proposed precast block retaining walls shall be determined by engineer.
- The connection of proposed storm sewer at the existing catch basin shall be made using machine core and provide a watertight flexible rubber connector with stainless steel bands.

SECTION	COUNTY	TOTAL SHEETS	SHEET NO.
1 2 3	07-00165-00-SW	COOK	7 3
PROJECT NUMBER		CMM-8003 (818)	
CONTRACT NUMBER		83922	

PAVEMENT LEGEND

5" PC CONCRETE SIDEWALK (6" ACROSS DRIVEWAYS)
AGGREGATE BASE COURSE, TYPE B 4"

STORM SEWER DATA

- 63 L.F., 12" R.C.P., @ 1.00%
- CONSTRUCT NEW CATCH BASIN OVER EXISTING 15" CULVERT AND PROVIDE SOLID LID
- 40 L.F., 15" R.C.P., @ 1.00%

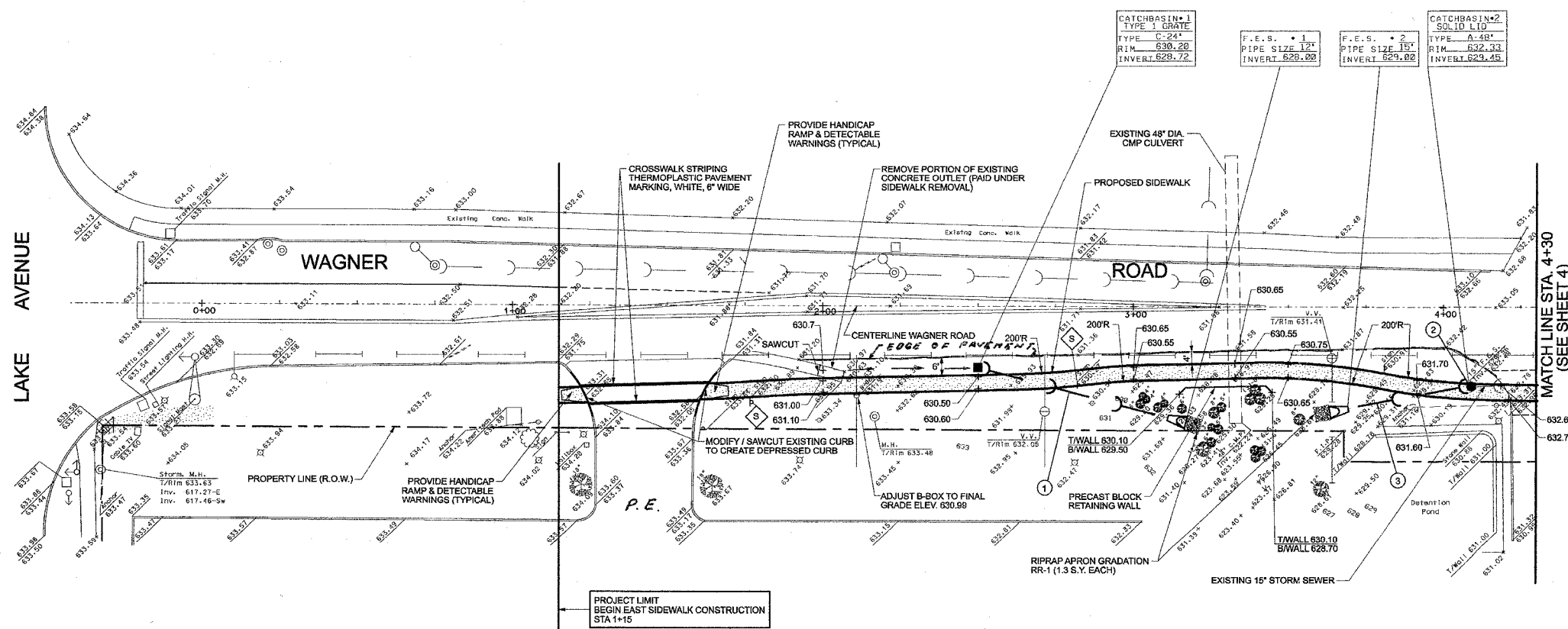
LEGEND

EXISTING SIGN TO BE RELOCATED

NOTES:

- TEMPORARY REMOVAL AND RE-INSTALLATION OF MAIL BOX PAID UNDER "RELOCATE EXISTING MAIL BOX" SPECIAL PROVISION (TYPICAL).
- PROVIDE SIDEWALK RAMP AND DETECTABLE WARNINGS MATCH EXISTING PAVEMENT (TYPICAL).
- PRECAST BLOCK RETAINING WALL LENGTH AND HEIGHT TO BE DETERMINED IN THE FIELD BY THE ENGINEER.

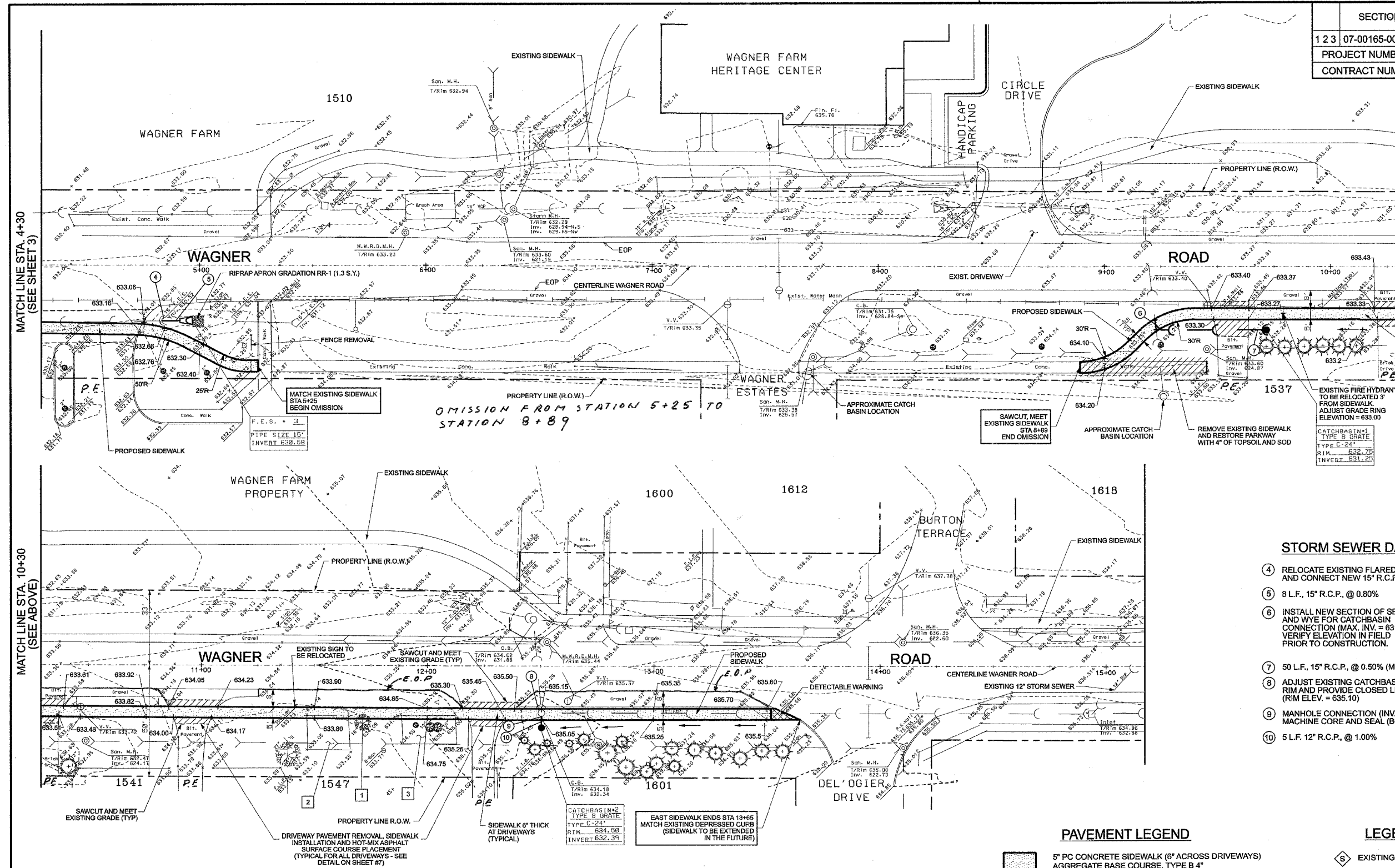
SCALE: 1" = 20'



NOTE: CONTRACTOR TO CHECK WITH VILLAGE ENGINEER REGARDING LANDSCAPE WALLS AROUND TREES AND PRIOR TO FILLING OVER ROOTS OF TREES, TREES MAY REQUIRE ROOT PRUNING.

WAGNER ROAD SIDEWALK IMPROVEMENTS				SHEET	
GLENVIEW, ILLINOIS				3	
GENERAL NOTES AND EAST SIDEWALK PLAN				OF 7	
STATION 1+15 TO 4+30				DATE 03-22-07	
DATE	BY	REVISION			
05-14-07	E.L.	IDOT COMMENTS			
04-02-07	E.L.	IDOT COMMENTS			

SECTION	COUNTY	TOTAL SHEETS	SHEET NO.
1 2 3	07-00165-00-SW	COOK	7
PROJECT NUMBER		CMM-8003 (818)	
CONTRACT NUMBER		83922	



SCALE: 1" = 20'

STORM SEWER DATA

- ④ RELOCATE EXISTING FLARED END SECTION AND CONNECT NEW 15" R.C.P.
- ⑤ 8 L.F., 15" R.C.P., @ 0.80%
- ⑥ INSTALL NEW SECTION OF SEWER AND WYE FOR CATCHBASIN CONNECTION (MAX. INV. = 631.00) VERIFY ELEVATION IN FIELD PRIOR TO CONSTRUCTION.
- ⑦ 50 L.F., 15" R.C.P., @ 0.50% (MIN.)
- ⑧ ADJUST EXISTING CATCHBASIN RIM AND PROVIDE CLOSED LID (RIM ELEV. = 635.10)
- ⑨ MANHOLE CONNECTION (INV. = 632.34) MACHINE CORE AND SEAL (BOOT)
- ⑩ 5 L.F. 12" R.C.P., @ 1.00%

PAVEMENT LEGEND

5" PC CONCRETE SIDEWALK (6" ACROSS DRIVEWAYS) AGGREGATE BASE COURSE, TYPE B4

LEGEND

EXISTING SIGN TO BE RELOCATED

TREE INVENTORY

#	TREE TYPE	CALIPER	TREE CONDITION	COMMENTS
1	MAPLE	18"	FAIR	ROOT PRUNE AND TRIM
2	EVERGREENS	6-8"	FAIR	ROOT PRUNE AND TRIM
3	EVERGREENS	3-8"	FAIR	ROOT PRUNE AND TRIM

NOTES:

- NOTE 1: TEMPORARY REMOVAL AND RE-INSTALLATION OF MAIL BOX PAID UNDER "RELOCATE EXISTING MAIL BOX" SPECIAL PROVISION (TYPICAL).
- NOTE 2: PROVIDE SIDEWALK RAMP AND DETECTABLE WARNINGS MATCH EXISTING PAVEMENT (TYPICAL).
- NOTE 3: PRECAST BLOCK RETAINING WALL LENGTH AND HEIGHT TO BE DETERMINED IN THE FIELD BY THE ENGINEER.

WAGNER ROAD SIDEWALK IMPROVEMENTS

GLENVIEW, ILLINOIS

**EAST SIDEWALK PLAN
STATION 4+30 TO 13+65**

DATE			BY	REVISION	DATE
05-14-07			E.L.	IDOT COMMENTS	
04-02-07			E.L.	IDOT COMMENTS	
03-22-07					

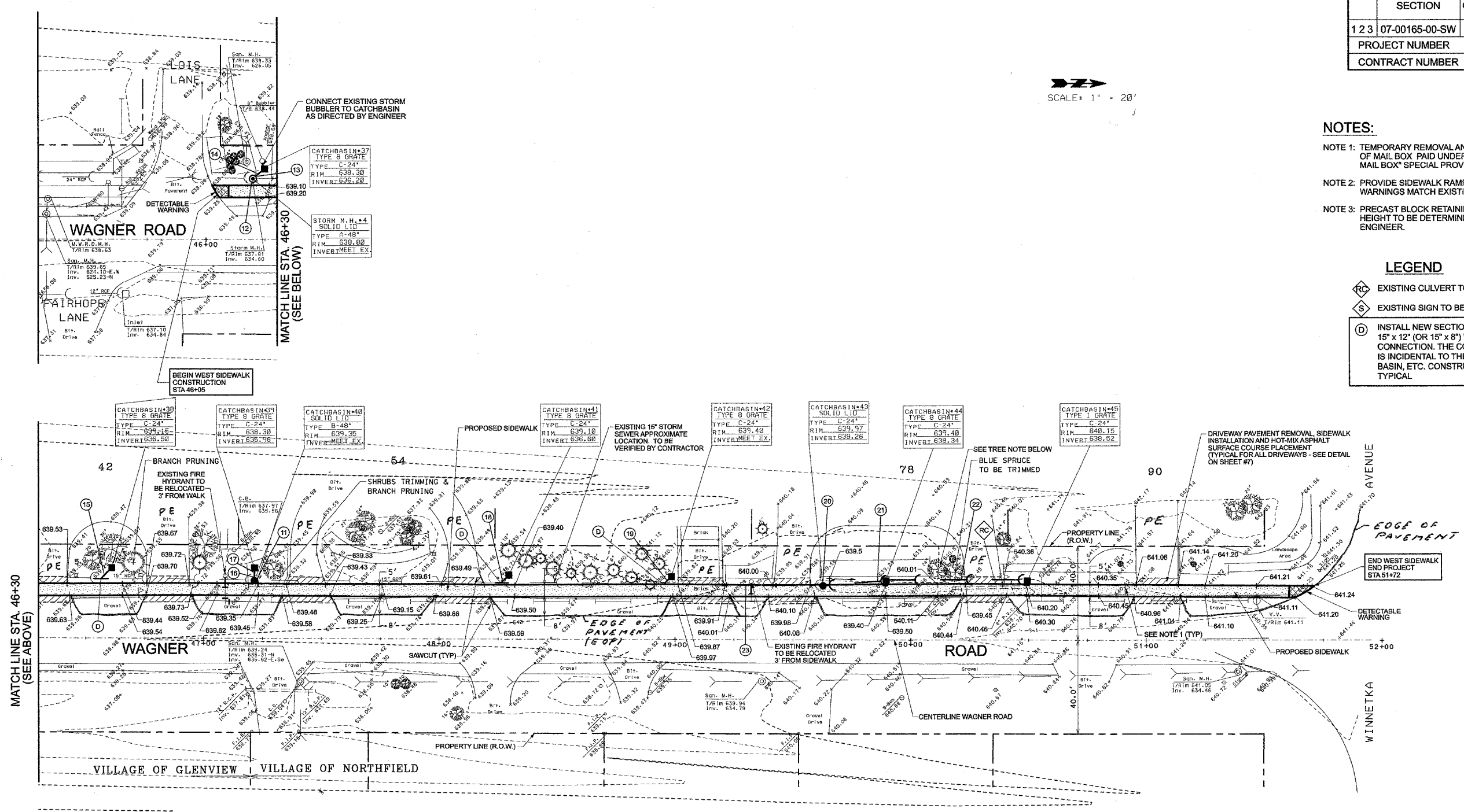
SHEET
4
OF 7
DATE 03-22-07

SECTION	COUNTY	TOTAL SHEETS	SHEET NO.
1 2 3	07-00165-00-SW	COOK	7
PROJECT NUMBER		CMM-8003 (818)	
CONTRACT NUMBER		83922	

SCALE: 1" = 20'

- NOTES:**
- NOTE 1: TEMPORARY REMOVAL AND RE-INSTALLATION OF MAIL BOX PAID UNDER "RELOCATE EXISTING MAIL BOX" SPECIAL PROVISION (TYPICAL).
 - NOTE 2: PROVIDE SIDEWALK RAMP AND DETECTABLE WARNINGS MATCH EXISTING PAVEMENT (TYPICAL).
 - NOTE 3: PRECAST BLOCK RETAINING WALL LENGTH AND HEIGHT TO BE DETERMINED IN THE FIELD BY THE ENGINEER.

- LEGEND**
- RC EXISTING CULVERT TO BE REMOVED
 - S EXISTING SIGN TO BE RELOCATED
 - D INSTALL NEW SECTION OF 15" PIPE AND 15" x 12" (OR 15" x 8") WYE FOR INLET CONNECTION. THE COST OF THIS WORK IS INCIDENTAL TO THE INLET, CATCH BASIN, ETC. CONSTRUCTION WORK - TYPICAL



STORM SEWER DATA

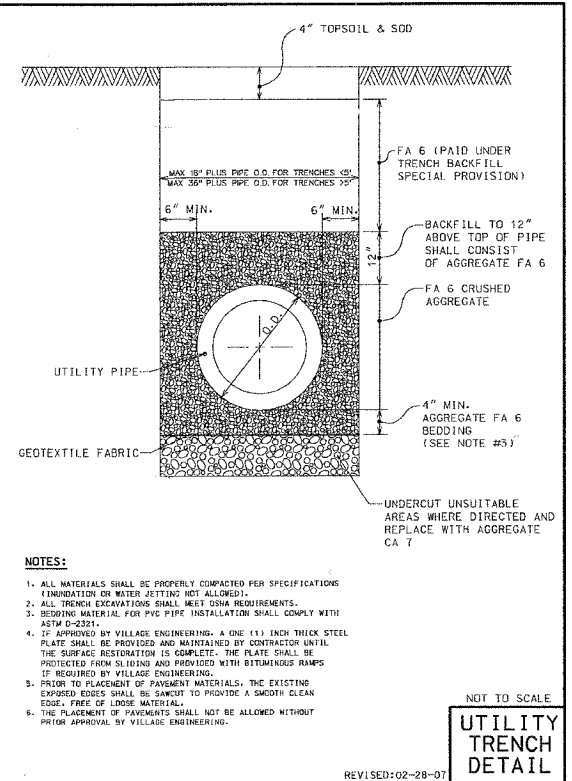
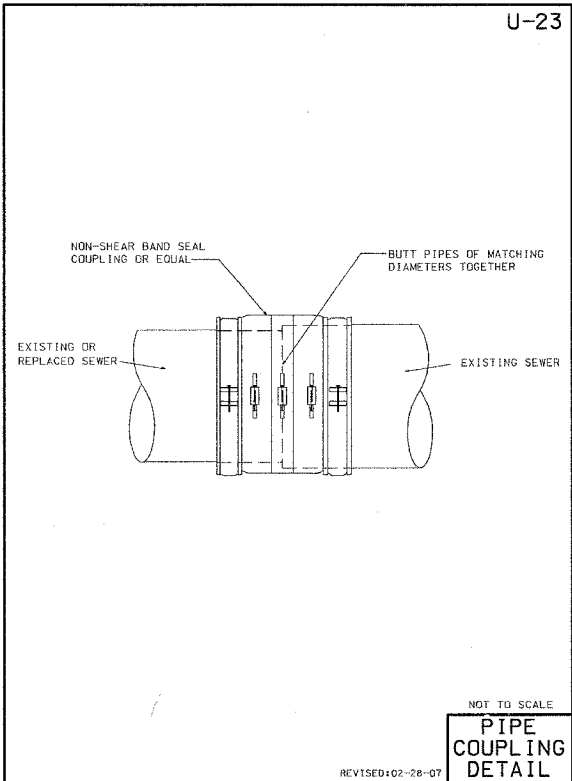
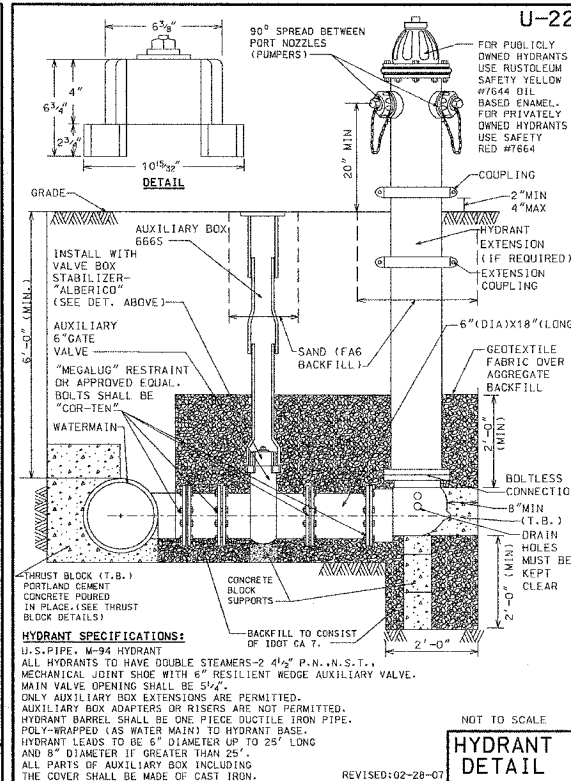
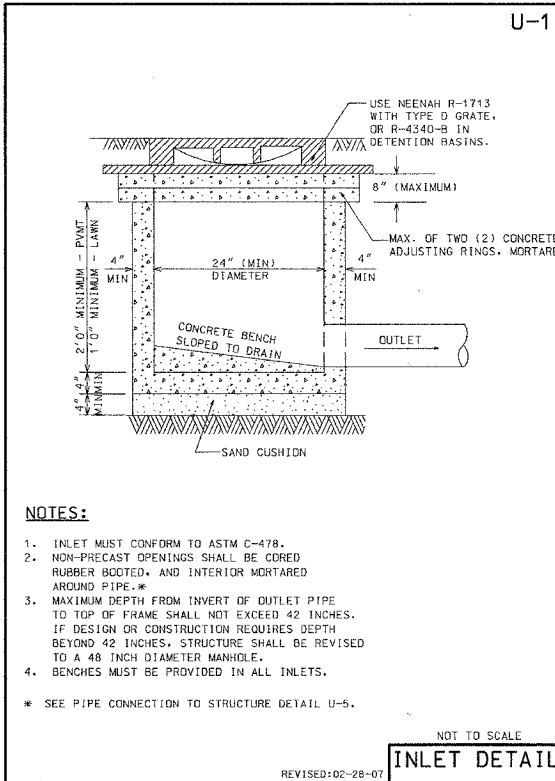
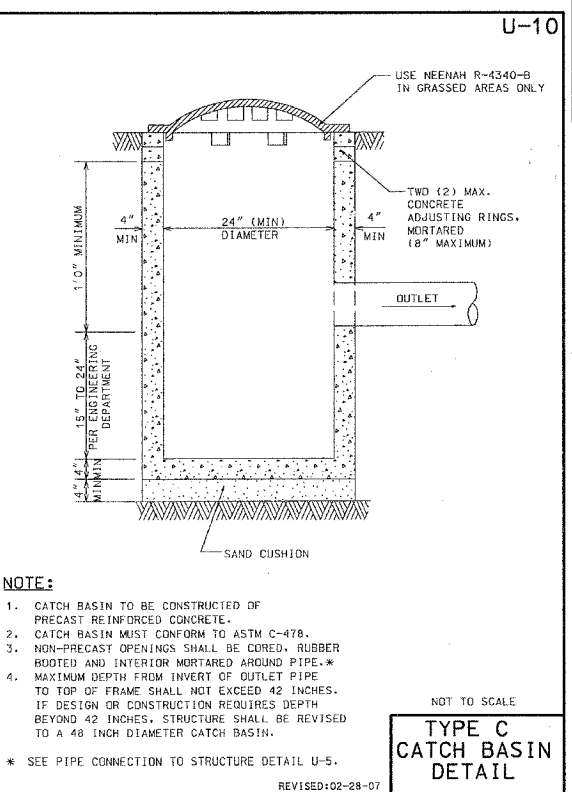
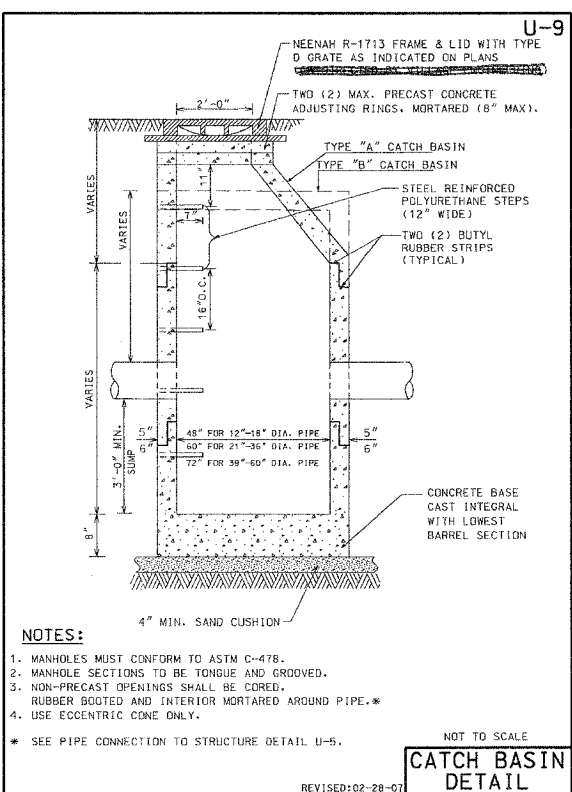
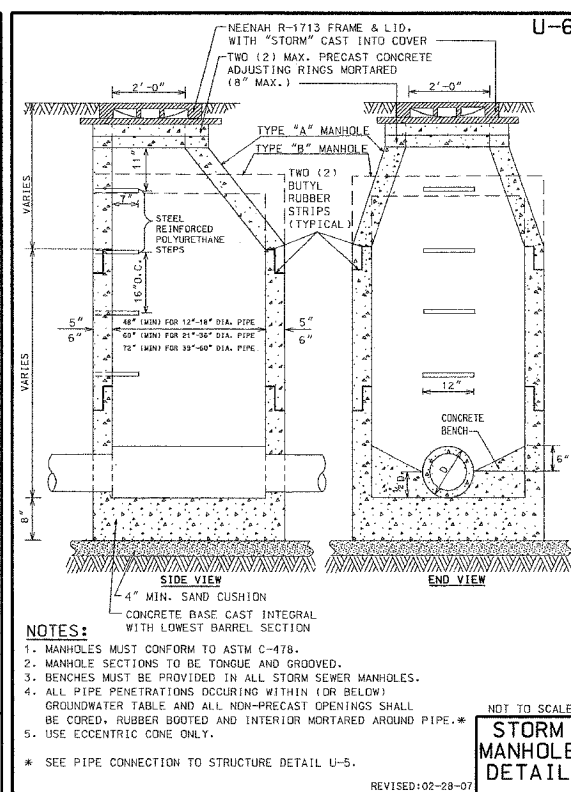
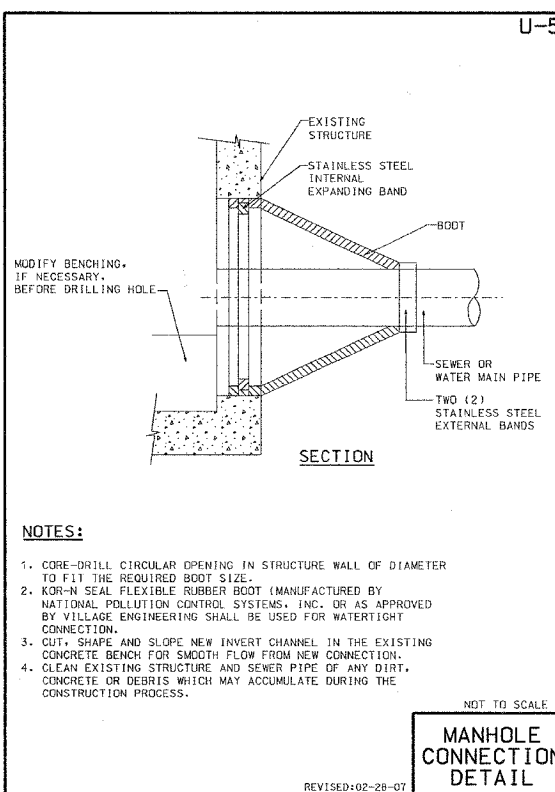
- | | |
|---|---|
| (11) REMOVE AND REPLACE EXISTING CATCH BASIN | (16) CONNECT TO REPLACED CATCH BASIN (INV = 635.90) |
| (12) REMOVE AND REPLACE EXISTING MANHOLE | (17) 6 L.F., 12" R.C.P. @ 1.00% (MIN) |
| (13) CONNECT TO REPLACED MANHOLE (INV = 636.10) | (18) 4 L.F., 8" D.I.P., @ 1.00% (MIN) |
| (14) 5 L.F., 12" R.C.P. @ 2.00% (MIN) | (19) 4 L.F., 8" D.I.P., @ 1.00% (MIN) |
| (15) 6 L.F., 12" R.C.P. @ 1.00% (MIN) | (20) CONSTRUCT NEW CATCH BASIN OVER EXISTING 12" CULVERT |
| | (21) 28 L.F., 8" D.I.P., @ 0.30% |
| | (22) 60 L.F., 8" D.I.P., @ 0.30% |
| | (23) 21 L.F., 15" R.C.P. TO BE REPLACED AT CROSSING WITH WATER MAIN (TYPICAL) |

PAVEMENT LEGEND

- 5" PC CONCRETE SIDEWALK (6" ACROSS DRIVEWAYS)
- AGGREGATE BASE COURSE, TYPE B 4"

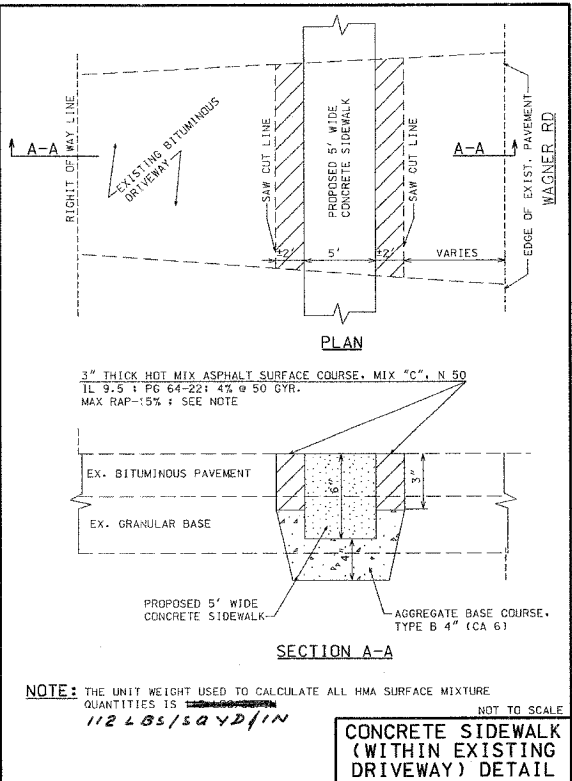
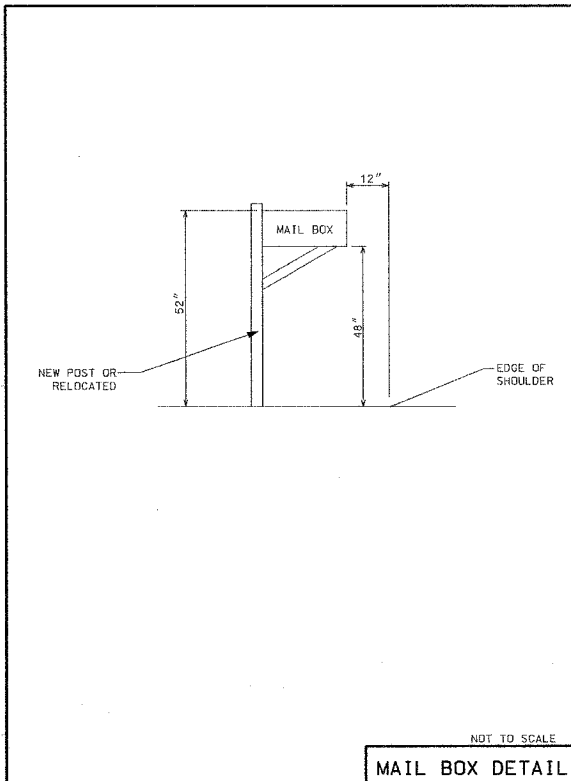
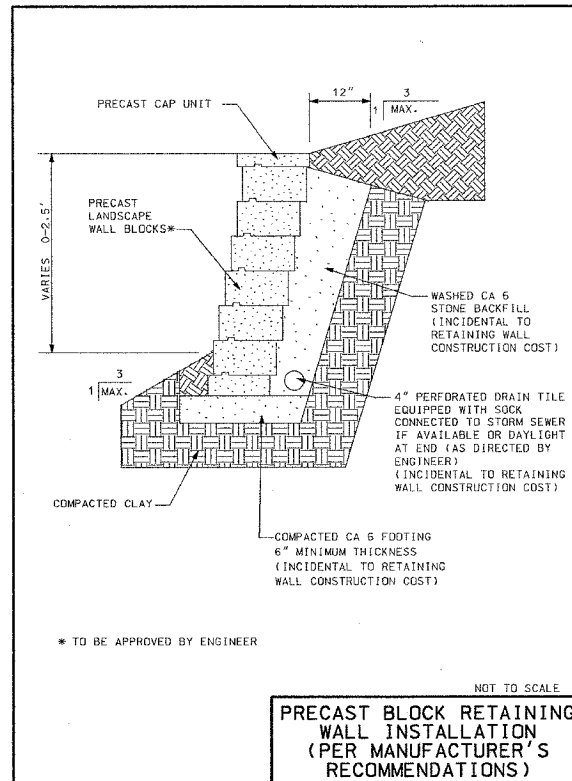
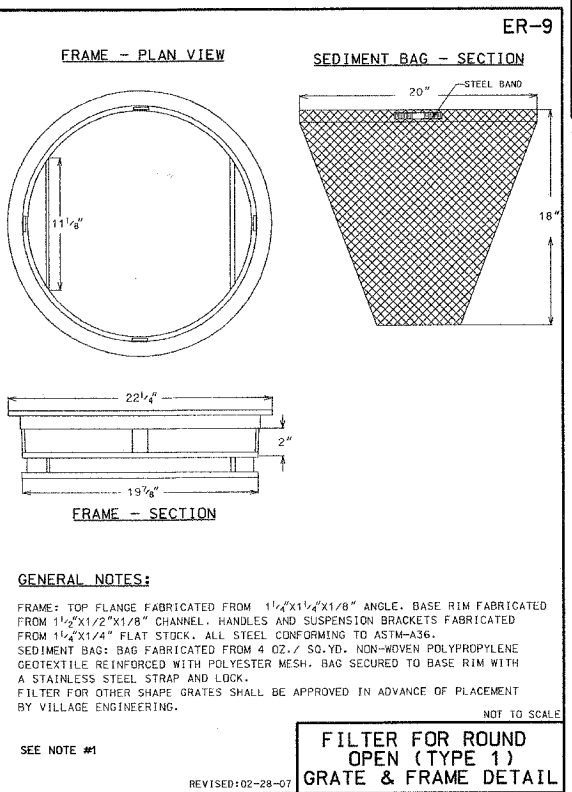
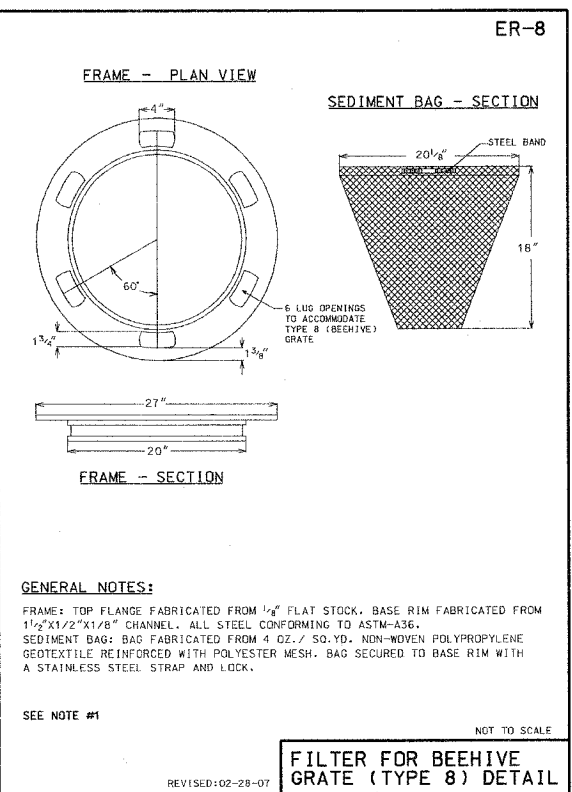
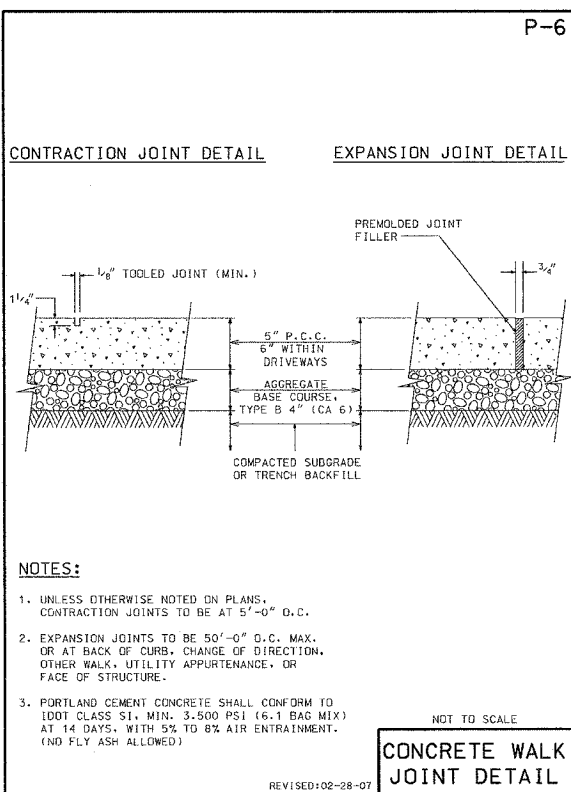
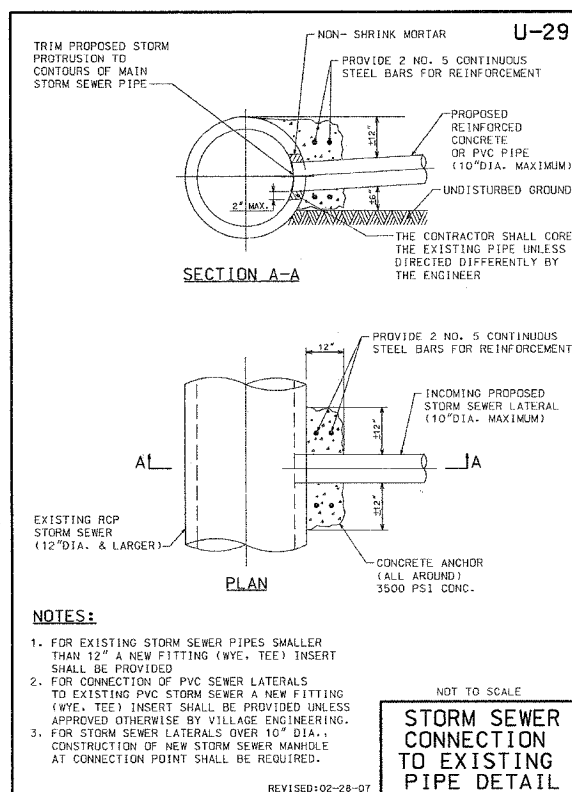
WAGNER ROAD SIDEWALK IMPROVEMENTS				SHEET	
GLENVIEW, ILLINOIS				5	
WEST SIDEWALK PLAN				OF 7	
STATION 46+05 TO 51+72				DATE 03-22-07	
DATE	BY	REVISION			
05-14-07	E.L.	IDOT COMMENTS			
04-02-07	E.L.	IDOT COMMENTS			

SECTION	COUNTY	TOTAL SHEETS	SHEET NO.
123	07-00165-00-SW	COOK	7
PROJECT NUMBER		CMM-8003 (818)	
CONTRACT NUMBER		83922	



WAGNER ROAD SIDEWALK IMPROVEMENTS				SHEET	
GLENVIEW, ILLINOIS				6	
CONSTRUCTION DETAILS				OF 7	
DATE	BY	REVISION	DATE	03-22-07	
05-14-07	E.L.	IDOT COMMENTS			
04-02-07	E.L.	IDOT COMMENTS			

SECTION	COUNTY	TOTAL SHEETS	SHEET NO.
123	07-00165-00-SW	COOK	7
PROJECT NUMBER		CMM-8003 (818)	
CONTRACT NUMBER		83922	



NOTE #1:
THE "INLET FILTERS" COST ITEM INDICATED IN THE "SUMMARY OF QUANTITIES" (SHEET #2) APPLIES TO THE VILLAGE'S STANDARD DETAILS ER-8 AND ER-9.

WAGNER ROAD SIDEWALK IMPROVEMENTS				SHEET	
GLENVIEW, ILLINOIS				7	
CONSTRUCTION DETAILS				OF 7	
DATE	BY	REVISION	DATE	03-22-07	
05-14-07	E.L.	IDOT COMMENTS			
04-02-07	E.L.	IDOT COMMENTS			