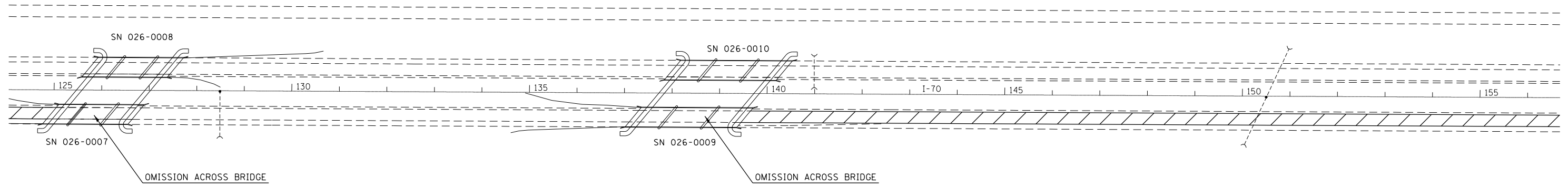


WORK AREA

NOT DRAWN TO SCALE



WORK AREA

NOT DRAWN TO SCALE

FILE NAME =	USER NAME = steffenmk	DESIGNED -	REVISED -
ei:\pw\work\pwidot\steffenmk\d0298200\074570-sht-plan.dgn	74570-sht-plan.dgn	DRAWN -	REVISED -
	PLOT SCALE = 200.0000' / in.	CHECKED -	REVISED -
	PLOT DATE = 3/20/2012	DATE -	REVISED -

**STATE OF ILLINOIS
DEPARTMENT OF TRANSPORTATION**

PLAN

SCALE: NA SHEET NO. 3 OF 10 SHEETS STA. 95+00 TO STA. 156+00

F.A.I. RTE.	SECTION	COUNTY	TOTAL SHEETS	SHEET NO.
70	D7 HMA RESURF 2012-4	Fayette	21	12
ILLINOIS FED. AID PROJECT			CONTRACT NO. 74570	