

08-03-2018 LETTING ITEM 045

STATE OF ILLINOIS
DEPARTMENT OF TRANSPORTATION

F.A. RTE.	SECTION	COUNTY	TOTAL SHEETS	SHEET NO.
77	124CR-1;109CR-1	SAL/IEF	13	3
ILLINOIS CONTRACT NO. 78661			SALINE/JEFFERSON	

FOR INDEX OF SHEETS, SEE SHEET NO. 3
FOR SUMMARY OF QUANTITIES, SEE SHEET NO. 4

PROPOSED HIGHWAY PLANS

FAP 776/FAS 2826 (IL 142/IL 37)
SECTION 124CR-1;109CR-1
PROJECT STP-1BLL(805)
CULVERT REPLACEMENT
SALINE/JEFFERSON COUNTY

C-99-089-18

TRAFFIC DATA

IL 142: ADT(2018)	%TRUCKS
1720	14.5%
IL 37: ADT(2018)	%TRUCKS
3030	5.6%

TOWNSHIPS

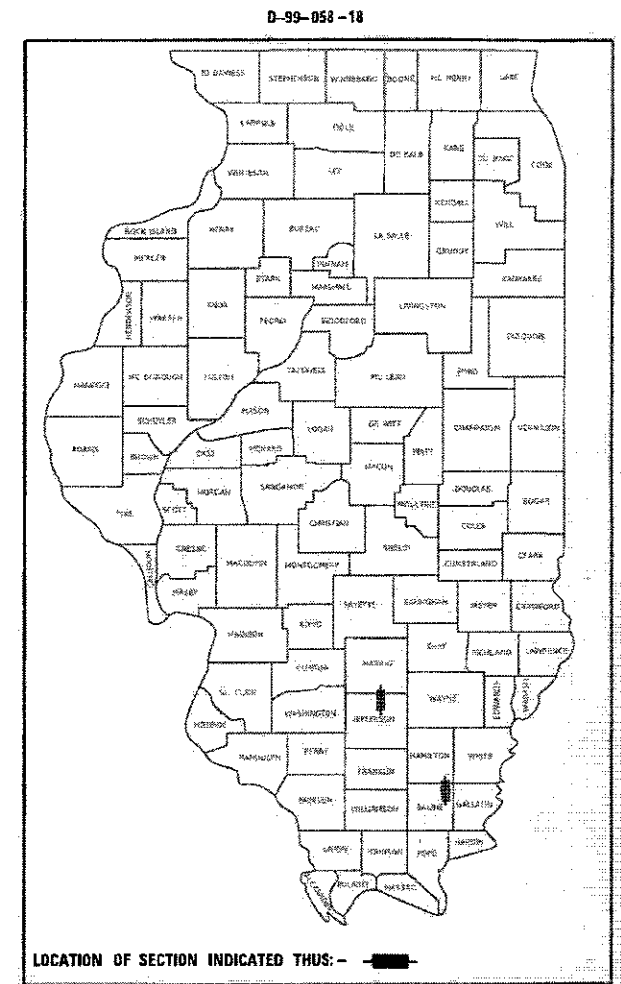
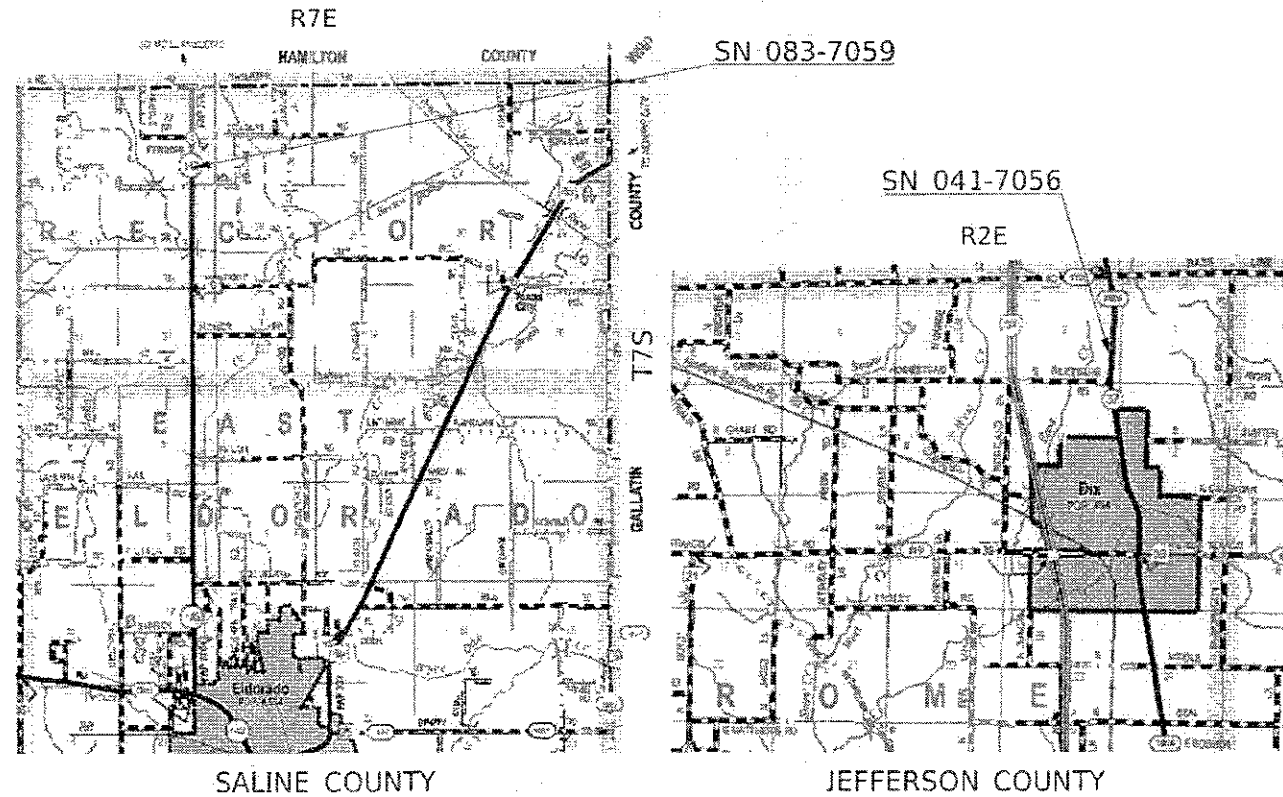
SN 083-7059: RECTOR
SN 041-7056: ROME

DESIGN DESIGNATION : N/A
COORDINATE SYSTEM : N/A
POSTED SPEED : 55 MPH

J.U.L.I.E.
JOINT UTILITY LOCATION INFORMATION FOR EXCAVATION
1-800-892-0123
OR 811

PROJECT ENGINEER: CHARLES STEIN
PROJECT DESIGNER(S): BEN DUGAS, MICHAELA DOLLINS

CONTRACT NO. 78661



STATE OF ILLINOIS
DEPARTMENT OF TRANSPORTATION

SUBMITTED May 7 2018

Jeffrey Z. Keira
REGION FIVE ENGINEER

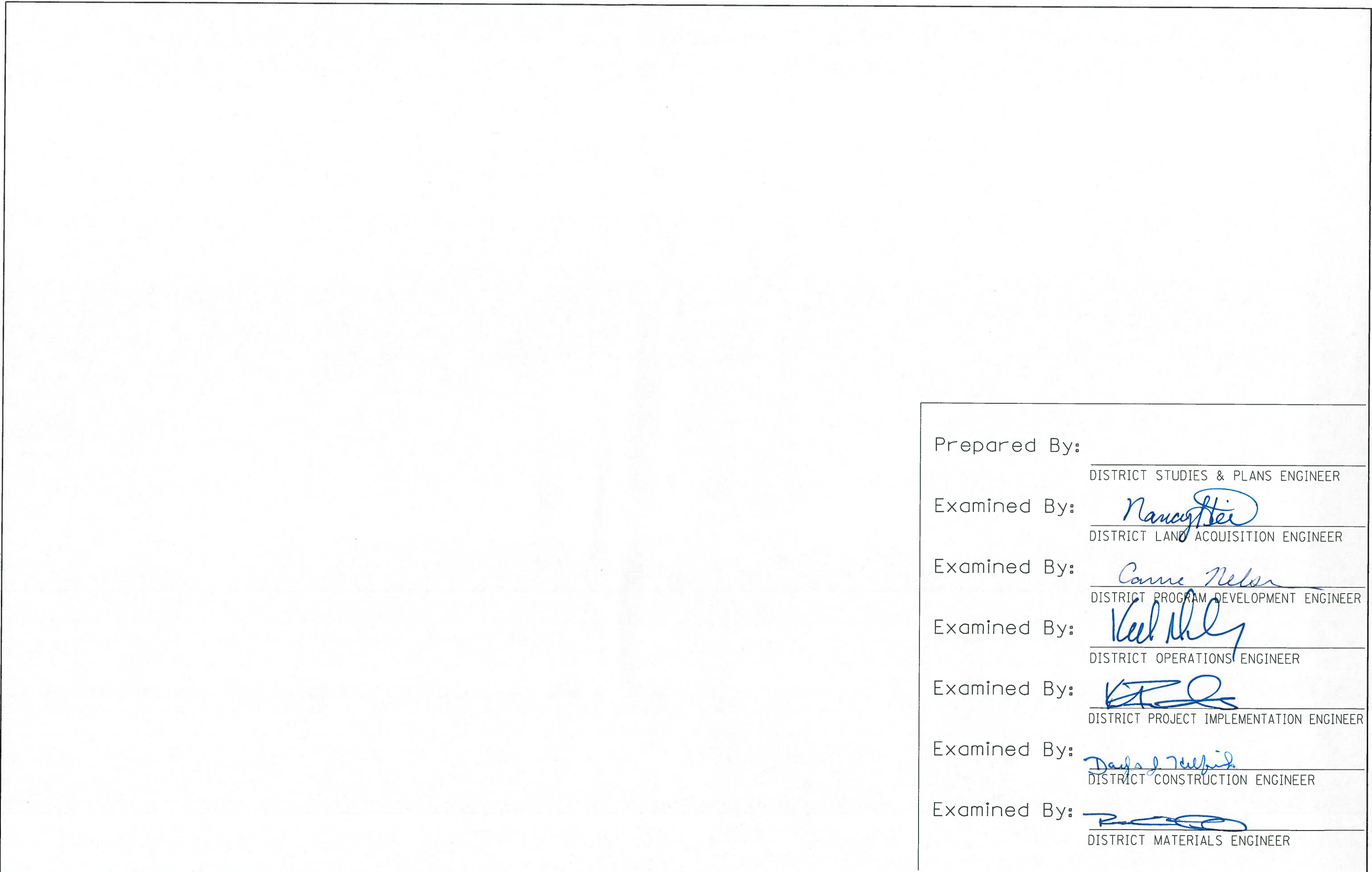
June 29 2018
S. A. Etk
ENGINEER OF DESIGN AND ENVIRONMENT

June 29 2018
Paul P. [Signature]
DIRECTOR OF HIGHWAYS PROJECT IMPLEMENTATION

PRINTED BY THE AUTHORITY
OF THE STATE OF ILLINOIS

GROSS LENGTH = 200.0 FT. = 0.04 MILES
NET LENGTH = 200.0 FT. = 0.04 MILES

MODEL: Default
 FILE NAME: dm:\V\084EBD\INTEG\Illinois.gov\FM\DOT\Documents\SIDOT_Offices\District_9\Projects\7866\1\CAD\DATA\CAD\Sheets\0978661-Sheets.dgn



Prepared By: _____
 DISTRICT STUDIES & PLANS ENGINEER

Examined By: Nancy Hei
 DISTRICT LAND ACQUISITION ENGINEER

Examined By: Carrie Nelson
 DISTRICT PROGRAM DEVELOPMENT ENGINEER

Examined By: Keel Wiley
 DISTRICT OPERATIONS ENGINEER

Examined By: [Signature]
 DISTRICT PROJECT IMPLEMENTATION ENGINEER

Examined By: Daryl J. Tulpink
 DISTRICT CONSTRUCTION ENGINEER

Examined By: [Signature]
 DISTRICT MATERIALS ENGINEER

USER NAME = DUGASBC	DESIGNED -	REVISED -
DRAWN -	CHECKED -	REVISED -
PLOT SCALE = 100.0000' / in.	DATE -	REVISED -
PLOT DATE = 4/26/2018		

**STATE OF ILLINOIS
 DEPARTMENT OF TRANSPORTATION**

SIGNATURE SHEET

SCALE: SHEET OF SHEETS STA. TO STA.

F.A. RTE.	SECTION	COUNTY	TOTAL SHEETS	SHEET NO.
11	124CR-1/109CR-1	SALJEF	11	2
CONTRACT NO. 78661				
ILLINOIS FED. AID PROJECT				

INDEX OF SHEETS

<u>SHEET NO.</u>	<u>DESCRIPTION</u>
1	COVER SHEET
2	SIGNATURE SHEET
3	INDEX OF SHEETS, STANDARDS, GENERAL NOTES, COMMITMENTS
4 - 5	SUMMARY OF QUANTITIES
6	TYPICAL SECTION IL 142, CROSS SECTIONAL VIEW OF EARTH EXCAVATION
7	TYPICAL SECTION IL 37, CROSS SECTIONAL VIEW OF EARTH EXCAVATION
8	PLAN VIEW SN 083-7059
9	PLAN VIEW SN 041-7056
10	FINAL SECTION IL 142
11	FINAL SECTION IL 37

GENERAL NOTES

QUANTITIES SHOWN IN THE PLANS FOR PATCHING ARE ESTIMATES. THE ACTUAL AMOUNT OF PATCHING REQUIRED WILL BE DETERMINED BY THE ENGINEER.

FACTORS USED FOR ESTIMATING PLAN QUANTITIES ARE AS FOLLOWS AND SHALL NOT BE USED FOR THE BASIS OF FINAL QUANTITIES:

ALL AGGREGATE	2.05 TONS/CU. YD.
RIPRAP	1.50 TONS/CU. YD.

EARTHWORK COMPACTION SHALL BE TO THE SATISFACTION OF THE ENGINEER.

AT ALL LOCATIONS WHERE THE PROPOSED HOT MIX ASPHALT OR CONCRETE PAVEMENT JOINS AN EXISTING HOT MIX ASPHALT OR CONCRETE PAVEMENT, A FULL DEPTH SAWED JOINT SHALL BE CONSTRUCTED. THE COST OF THIS JOINT WILL BE INCLUDED IN THE COST OF THE TYPE OF PAVEMENT BEING CONSTRUCTED.

RECLAIMED ASPHALT PAVEMENT (RAP) WILL NOT BE ALLOWED FOR USE AS AGGREGATE IN AGGREGATE SHOULDERS, TYPE B.

THERE ARE NO AVAILABLE WASTE SITES ON THE EXISTING RIGHT OF WAY WITHIN THE PROJECT LIMITS. DISPOSAL WILL BE THE RESPONSIBILITY OF THE CONTRACTOR AND WASTE MUST BE DISPOSED OF IN ACCORDANCE WITH ARTICLE 202.03 OF THE STANDARD SPECIFICATIONS.

REMOVAL OF EXISTING AGGREGATE SHOULDERS SHALL BE INCLUDED IN THE COST OF EARTH EXCAVATION.

A CALCIUM CHLORIDE ACCELERATOR WILL BE ALLOWED FOR CLASS C PATCHES PER ARTICLE 1013.01.

STANDARDS

000001-06	STANDARD SYMBOLS, ABBREVIATIONS AND PATTERNS
442201-03	CLASS C AND D PATCHES
542011-02	CONCRETE END SECTIONS FOR ELLIPTICAL PIPE CULVERTS, 15" THRU 72" EQUIVALENT DIAMETER
542311-07	TRAVERSABLE PIPE GRATE FOR CONCRETE END SECTION
701001-02	OFF-ROAD OPERATIONS, 2L, 2W, MORE THAN 15' AWAY
701006-05	OFF-ROAD OPERATIONS, 2L, 2W, 15' TO 24" FROM PAVEMENT EDGE
701201-04	LANE CLOSURE, 2L, 2W, DAY ONLY, FOR SPEEDS ≥ 45 MPH
701301-04	LANE CLOSURE, 2L, 2W, SHORT TIME OPERATIONS
701311-03	LANE CLOSURE, 2L, 2W, MOVING OPERATIONS - DAY ONLY
701901-07	TRAFFIC CONTROL DEVICES
780001-05	TYPICAL PAVEMENT MARKINGS
BLR 21-9	TYPICAL APPLICATION OF TRAFFIC CONTROL DEVICES FOR CONSTRUCTION ON RURAL LOCAL HIGHWAYS

COMMITMENTS

THE FOLLOWING SHALL BE CONTACTED 3 WEEKS PRIOR TO ANY WORK INVOLVING TRAFFIC CONTROL AND PROTECTION THAT AFFECTS THE PUBLIC AND PRIOR TO THE 21 DAY NOTIFICATION SIGNING:

SALINE COUNTY SHERIFF
KEITH BROWN
618-252-8661

JEFFERSON COUNTY SHERIFF
TRAVIS ALLEN
618-244-8004

MODEL: Default
 FILE NAME: P:\PROJECTS\78661\CADD\Drawings\INDCT_Offices\District 9\Projects\78661\CADD\Drawings\INDCT_Sheets.dwg

STATE OF ILLINOIS DEPARTMENT OF TRANSPORTATION	INDEX OF SHEETS, STANDARDS, GENERAL NOTES AND COMMITMENTS		F.A. ** RTE.	SECTION 124CR-1/109CR-1	COUNTY SAL/JEF	TOTAL SHEETS 11	SHEET NO. 3
	SCALE: _____ SHEET _____ OF _____ SHEETS STA. _____ TO STA. _____			ILLINOIS FED. AID PROJECT CONTRACT NO. 78661			
	** FAP 776/FA5 2826 SALINE/JEFFERSON						

SUMMARY OF QUANTITIES

80% FED
20% STATE

80% FED
20% STATE

CODE NUMBER	ITEM DESCRIPTION	UNIT	TOTAL QUANTITY	COUNTY:	80% FED 20% STATE
				ROUTE:	80% FED 20% STATE
				SALINE <td>JEFFERSON</td>	JEFFERSON
				IL 142	IL 37
				FUNDING:	
				LOCATION:	
				RURAL ROADWAY	RURAL ROADWAY
				0004	0004
20100110	TREE REMOVAL (6 TO 15 UNITS DIAMETER)	UNIT	6	0	6
20200100	EARTH EXCAVATION	CU YD	65	45	20
20400800	FURNISHED EXCAVATION	CU YD	253	108	145
20700220	POROUS GRANULAR EMBANKMENT	CU YD	195	75	120
25000200	SEEDING, CLASS 2	ACRE	0.2	0.1	0.1
25000400	NITROGEN FERTILIZER NUTRIENT	POUND	18	9	9
25000500	PHOSPHORUS FERTILIZER NUTRIENT	POUND	18	9	9
25000600	POTASSIUM FERTILIZER NUTRIENT	POUND	18	9	9
25000700	AGRICULTURAL GROUND LIMESTONE	TON	0.4	0.2	0.2
25100630	EROSION CONTROL BLANKET	SQ YD	968	484	484
28100105	STONE RIPRAP, CLASS A3	SQ YD	248	60	188
48101600	AGGREGATE SHOULDERS, TYPE B 8"	SQ YD	55	26	29
50100300	REMOVAL OF EXISTING STRUCTURES NO. 1	EACH	2	1	1

MODEL: D:\p1\ur... FILE NAME: p:\110348\BENTONTEG... ILLINOIS... OFFICE: BENTON... CONTRACT NO. 78661

USER NAME = DUGASBC PLOT SCALE = 100.0000' / in. PLOT DATE = 4/27/2018	DESIGNED - DRAWN - CHECKED - DATE -	REVISED - REVISED - REVISED - REVISED -	STATE OF ILLINOIS DEPARTMENT OF TRANSPORTATION	SUMMARY OF QUANTITIES	SCALE: SHEET OF SHEETS STA. TO STA.	F.A. RTE. SECTION COUNTY TOTAL SHEETS SHEET NO. ** 124CR-1/109CR-1 SAL/JEF 11 4 ILLINOIS FED. AID PROJECT CONTRACT NO. 78661
--	--	--	---	------------------------------	-------------------------------------	--

SUMMARY OF QUANTITIES - CONT

80% FED 80% FED
20% STATE 20% STATE

CODE NUMBER	ITEM DESCRIPTION	UNIT	TOTAL QUANTITY	80% FED 20% STATE	
				SALINE ROADWAY 0004	JEFFERSON ROADWAY 0004
542A5503	PIPE CULVERTS, CLASS A, TYPE 1 EQUIVALENT ROUND-SIZE 48"	FOOT	128	68	60
54260315	TRAVERSABLE PIPE GRATE FOR CONCRETE END SECTION	FOOT	219	109.5	109.5
54263348	CONCRETE END SECTION, STANDARD 542011, 48", 1:3	EACH	8	4	4
67100100	MOBILIZATION	L SUM	1	0.5	0.5
70100450	TRAFFIC CONTROL AND PROTECTION, STANDARD 701201	L SUM	1	0.5	0.5
70101830	TRAFFIC CONTROL AND PROTECTION, STANDARD BLR 21	L SUM	1	0.5	0.5
* 78001110	PAINT PAVEMENT MARKING - LINE 4"	FOOT	181	78	103
X7015005	CHANGEABLE MESSAGE SIGN	CAL DAY	84	42	42
X1700069	CLASS C PATCHES, TYPE IV, 11.5 INCH	SQ YD	84	84	0
X1700070	CLASS C PATCHES, TYPE IV, 14.5 INCH	SQ YD	71	0	71

* SPECIALTY ITEM

MODEL: Dwg.rvt FILE NAME: p:\11\04\BENTONITE\ILLINOIS\PROJECTS\78661\CAD\Drawings\07\8661_Sheets.dgn

USER NAME = DUGASBC	DESIGNED -	REVISED -
PLOT SCALE = 100.0000' / in.	DRAWN -	REVISED -
PLOT DATE = 4/27/2018	CHECKED -	REVISED -
	DATE -	REVISED -

**STATE OF ILLINOIS
DEPARTMENT OF TRANSPORTATION**

SUMMARY OF QUANTITIES - CONT'D

SCALE: SHEET OF SHEETS STA. TO STA.

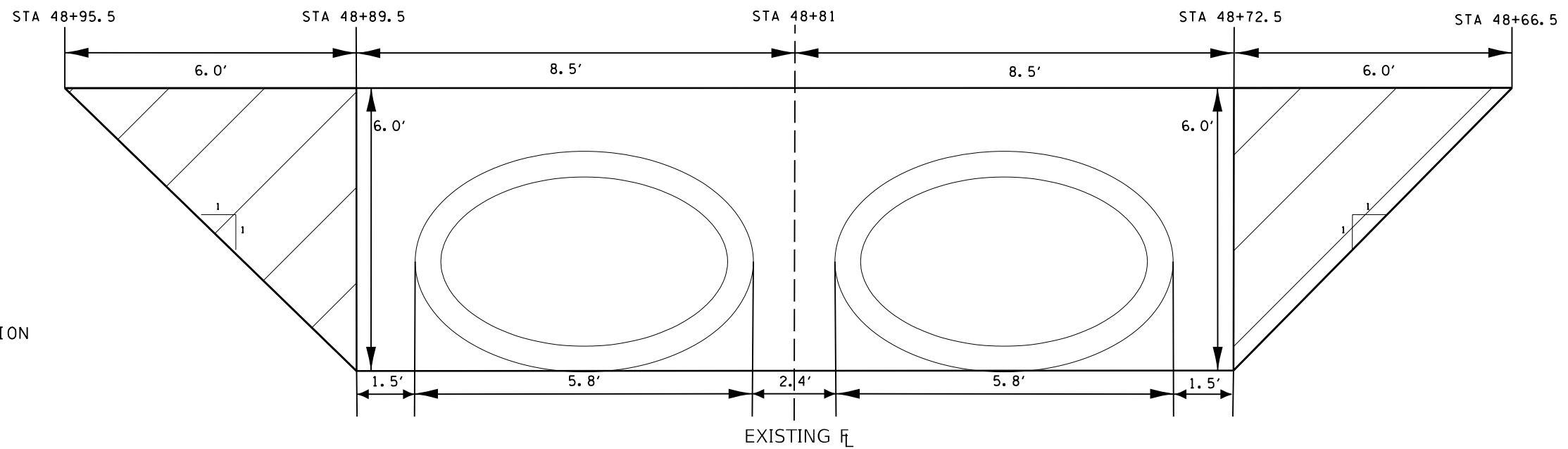
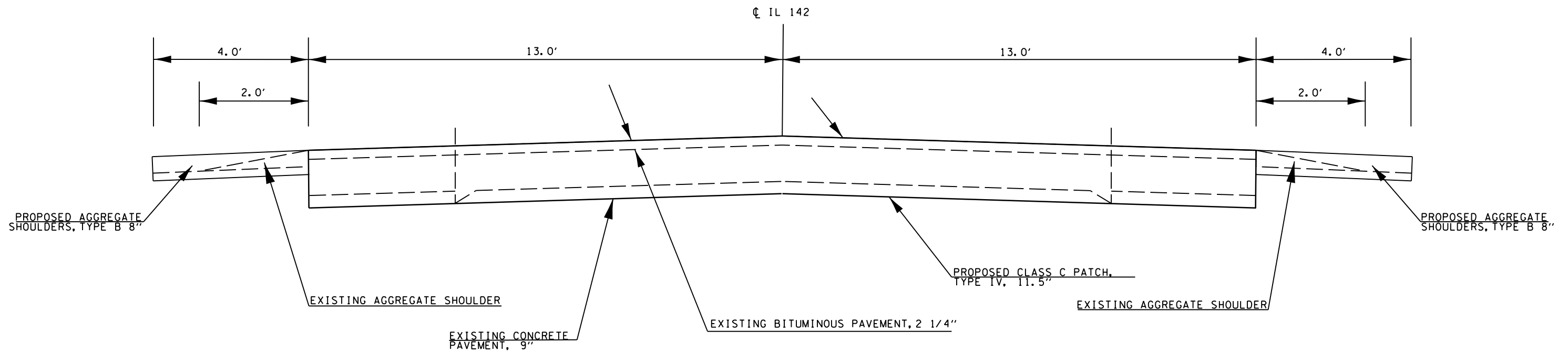
F.A. ** RTE.	SECTION	COUNTY	TOTAL SHEETS	SHEET NO.
**	124CR-1/109CR-1	SAL/JEF	11	5
		CONTRACT NO. 78661		
		ILLINOIS FED. AID PROJECT		

** FAP 776/FAS 2826

REV. - MS

SALINE/JEFFERSON

TYPICAL SECTION



CROSS SECTIONAL VIEW OF PROPOSED PIPES SHOWING EARTH EXCAVATION FOR 1:1 SLOPE

MODEL: Default
 FILE NAME: P:\IL\8A\8A\ENR\ITEC\Illinois.gov\RWIDOT\Documents\10DOT_Offices\District 9\Projects\78661\CADD\DATA\CAD\Sheet\0778661_Sheets.dwg


 EARTH EXCAVATION

USER NAME = DUGASBC	DESIGNED -	REVISED -
	DRAWN -	REVISED -
PLOT SCALE = 100.0000' / in.	CHECKED -	REVISED -
PLOT DATE = 4/26/2018	DATE -	REVISED -

STATE OF ILLINOIS
DEPARTMENT OF TRANSPORTATION

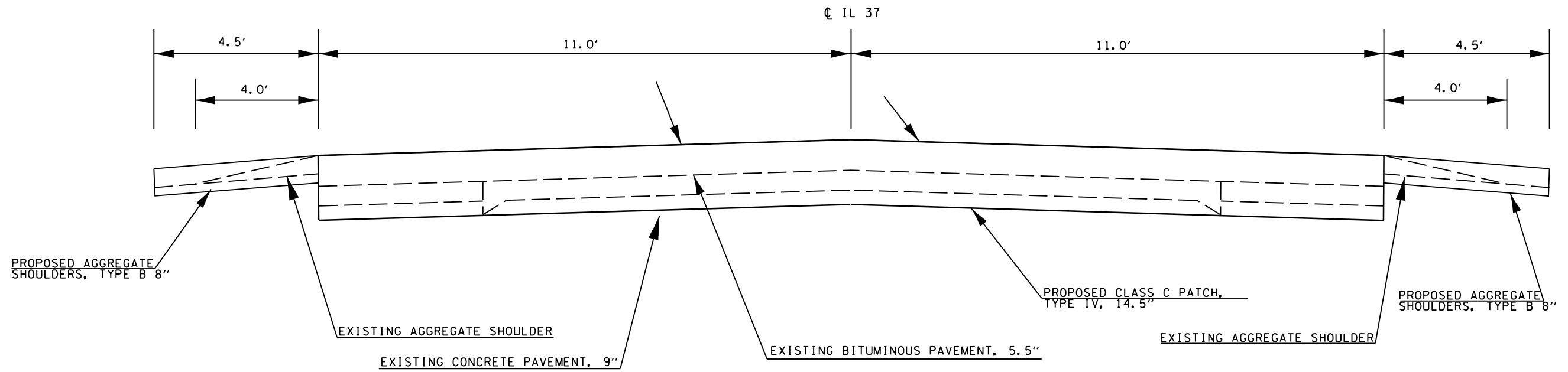
TYPICAL SECTION IL 142
CROSS SECTIONAL VIEW OF EARTH EXCAVATION

SCALE: SHEET OF SHEETS STA. TO STA.

F.A. ** RTE.	SECTION	COUNTY	TOTAL SHEETS	SHEET NO.
**	124CR-1/109CR-1	SAL/JEF	11	6
CONTRACT NO. 78661				
ILLINOIS FED. AID PROJECT				

** FAP 776/FAS 2826

SALINE/JEFFERSON



PROPOSED AGGREGATE SHOULDERS, TYPE B 8"

EXISTING AGGREGATE SHOULDER

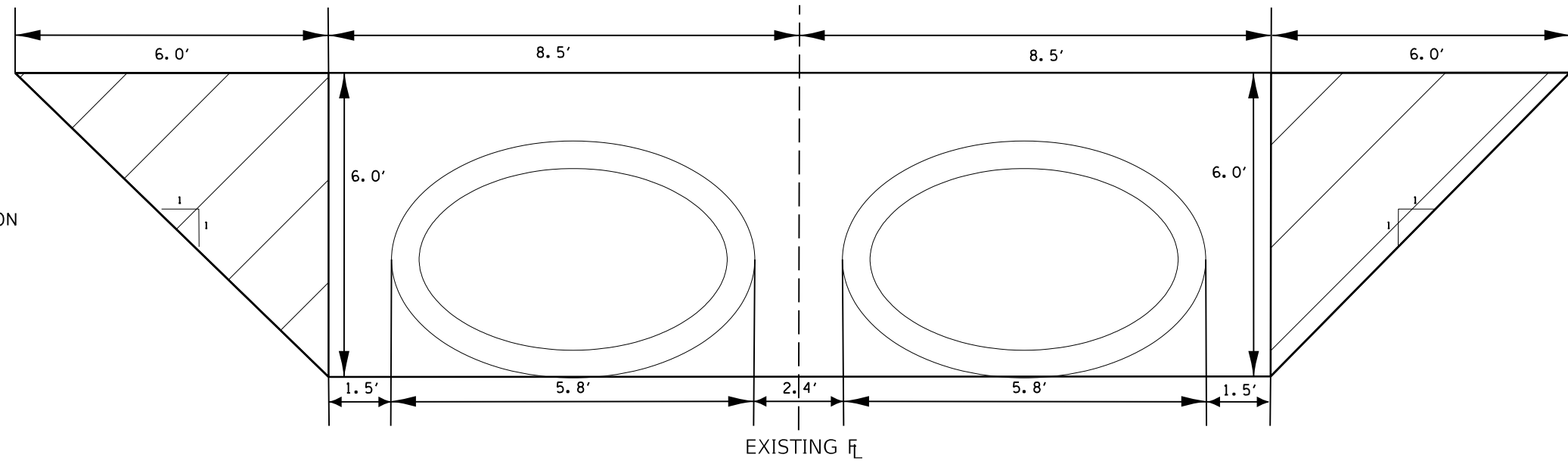
EXISTING CONCRETE PAVEMENT, 9"

EXISTING BITUMINOUS PAVEMENT, 5.5"

PROPOSED CLASS C PATCH, TYPE IV, 14.5"

EXISTING AGGREGATE SHOULDER

PROPOSED AGGREGATE SHOULDERS, TYPE B 8"



CROSS SECTIONAL VIEW OF PROPOSED PIPES SHOWING EARTH EXCAVATION FOR 1:1 SLOPE

MODEL: Default
 FILE NAME: P:\IL\8A\BEN\NITEG_IL\hds\pwr\WID\DOT\Documents\10DOT_Offices\District 9\Project\78661\CADD\DATA\CAD\Sheet\078661_Sheets.dwg

USER NAME = DUGASBC	DESIGNED -	REVISED -
PLOT SCALE = 100.0000' / in.	DRAWN -	REVISED -
PLOT DATE = 4/26/2018	CHECKED -	REVISED -
	DATE -	REVISED -

STATE OF ILLINOIS
DEPARTMENT OF TRANSPORTATION

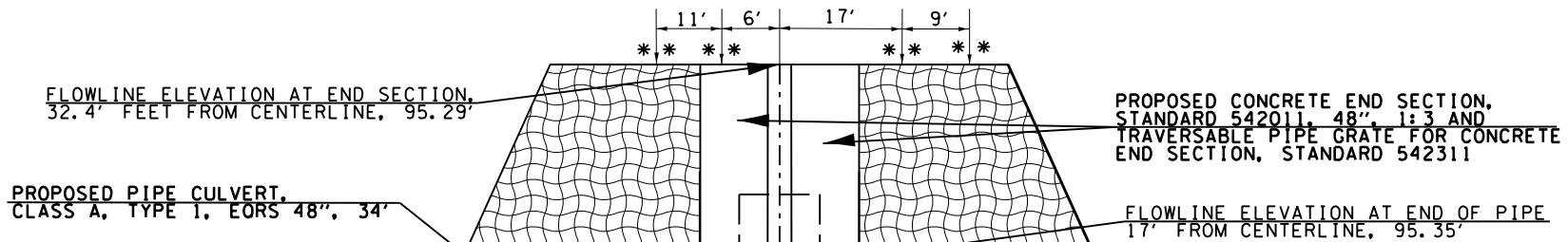
TYPICAL SECTION IL 37				
CROSS SECTIONAL VIEW OF EARTH EXCAVATION				
SCALE:	SHEET	OF	SHEETS	STA. TO STA.

F.A. RTE. **	SECTION	COUNTY	TOTAL SHEETS	SHEET NO.
**	124CR-1/109CR-1	SAL/JEF	11	7
CONTRACT NO. 78661				
ILLINOIS FED. AID PROJECT				



NOTE: ALL ELEVATIONS ARE RELATIVE TO BENCHMARK OF 100' LOCATED AT EXPOSED REBAR IN S.E. CORNER OF EXISTING EAST HEADWALL

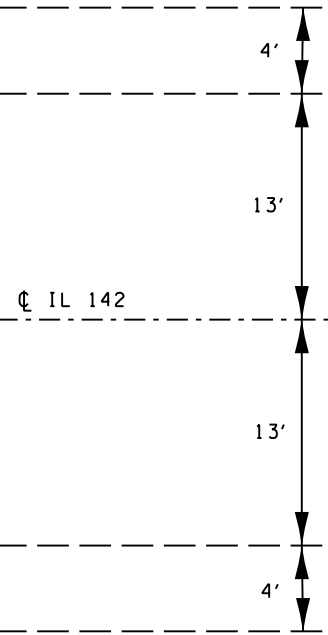
** LOCATIONS OF EXISTING FIELD DRAINS WHICH SHALL NOT BE DISTURBED (DRAWING NOT TO SCALE)



PROPOSED PIPE CULVERT, CLASS A, TYPE 1, EORS 48", 34'

PROPOSED CONCRETE END SECTION, STANDARD 542011, 48", 1:3 AND TRAVERSABLE PIPE GRATE FOR CONCRETE END SECTION, STANDARD 542311

FLOWLINE ELEVATION AT END OF PIPE 17' FROM CENTERLINE, 95.35'



PROPOSED PROJECT BEGINS STA. 48+95.5

PROPOSED PROJECT ENDS STA. 48+66.5

EXISTING SN 083-7059 CULVERT STA. 48+81, 0° SKEW, 0.46%

REMOVAL OF EXISTING STRUCTURE CONCRETE BOX CULVERT 8' X 3'

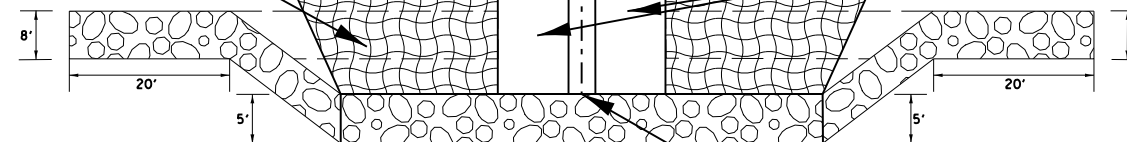
PROPOSED PIPE CULVERT, CLASS A, TYPE 1, EORS 48", 34'

FLOWLINE ELEVATION AT END OF PIPE 17' FROM CENTERLINE, 95.51'

LIMITS OF EARTH EXCAVATION

EXISTING DITCH 9' FROM E.O.S. TO BE RELOCATED FOR RIP RAP

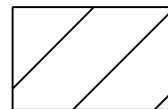
PROPOSED CONCRETE END SECTIONS, STANDARD 542011, 48", 1:3 AND TRAVERSABLE PIPE GRATE FOR CONCRETE END SECTION, STANDARD 542311



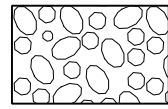
NOTE: EXISTING DITCHES ON DOWNSTREAM END ARE LOCATED 9' FROM E.O.S. AND PROPOSED RIP RAP WILL WRAP AROUND CONCRETE END SECTION(S). RELOCATION OF THESE DITCHES IS INCLUDED IN COST OF THE RIP RAP

FLOWLINE ELEVATION AT END SECTION, 32.4' FEET FROM CENTERLINE, 95.57'

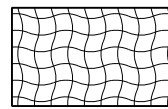
PROPOSED CLASS C PATCH 29' X 26'



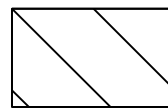
PROPOSED RIPRAP, CLASS A3



PROPOSED EROSION CONTROL BLANKET & SEEDING CLASS 2



PROPOSED AGGREGATE SHOULDERS, 8"



STATE OF ILLINOIS DEPARTMENT OF TRANSPORTATION

PLAN VIEW SN 083-7059

USER NAME = DUGASBC	DESIGNED -	REVISED -
PLOT SCALE = 100.0000' / in.	DRAWN -	REVISED -
PLOT DATE = 4/27/2018	CHECKED -	REVISED -
	DATE -	REVISED -

SCALE: SHEET OF SHEETS STA. TO STA.

F.A. RTE.	SECTION	COUNTY	TOTAL SHEETS	SHEET NO.
**	124CR-1/109CR-1	SAL/JEF	11	8
			CONTRACT NO. 78661	

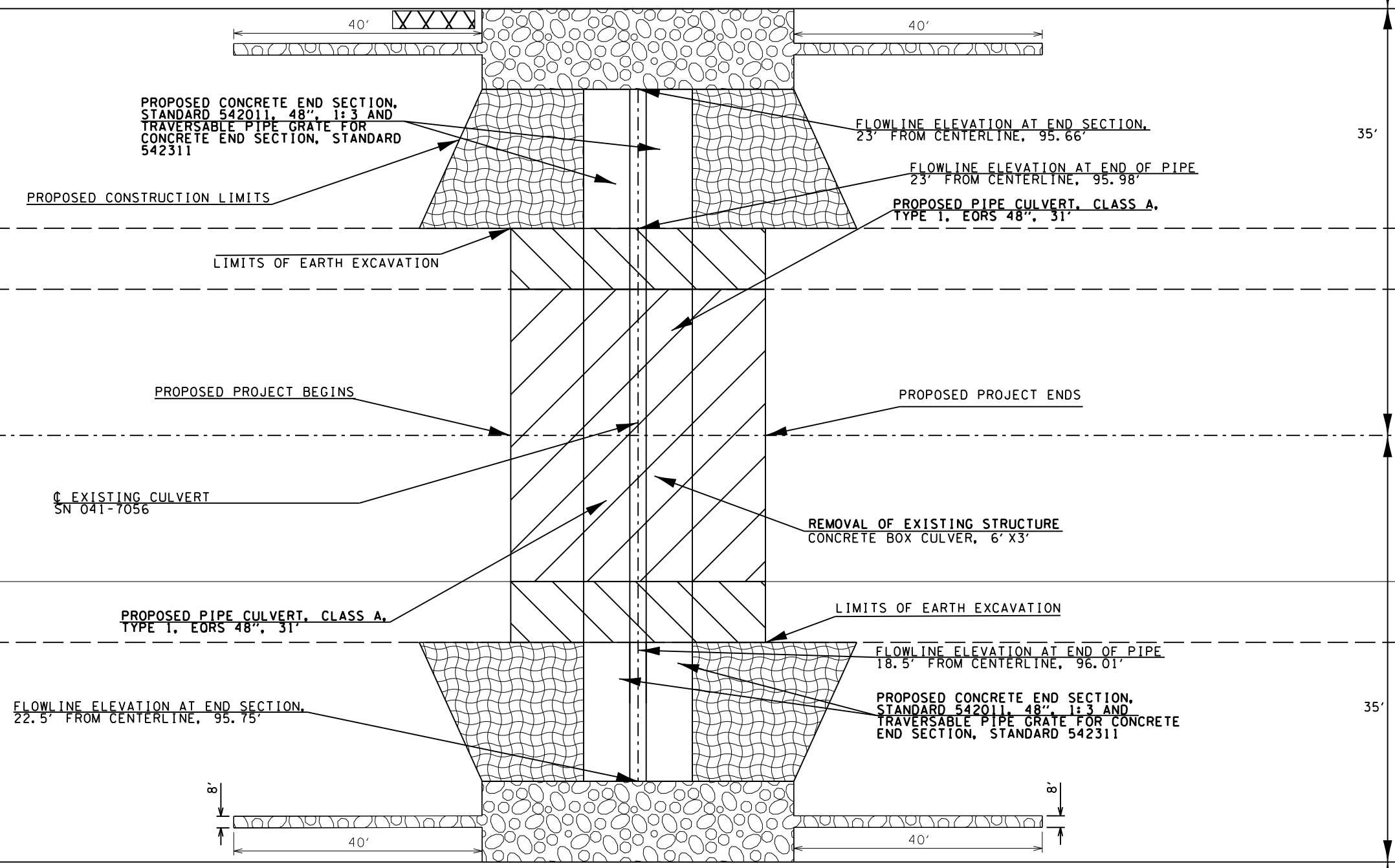
** FAP 776/FAS 2826

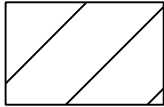
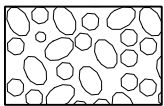

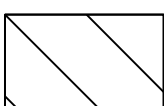

SALINE/JEFFERSON

MODEL: Default FILE NAME: P:\PROJECTS\78661\CADD\DATA\CAD\Sheet\0778661_Sheets.dwg



NOTE: ALL ELEVATIONS ARE RELATIVE TO 100' BENCHMARK LOCATED AT SOUTHEAST CORNER OF WEST HEADWALL



- PROPOSED CLASS C PATCH
29' x 22' 
- PROPOSED RIPRAP, CLASS A3 
- PROPOSED EROSION CONTROL
BLANKET & SEEDING CLASS 2 
- PROPOSED AGGREGATE SHOULDERS, 8" 
- APPROXIMATELY 6" DIAMETER
TREE TO BE REMOVED 

USER NAME = DUGASBC	DESIGNED -	REVISED -
PLOT SCALE = 100.0000' / in.	DRAWN -	REVISED -
PLOT DATE = 5/1/2018	CHECKED -	REVISED -
	DATE -	REVISED -

**STATE OF ILLINOIS
DEPARTMENT OF TRANSPORTATION**

PLAN VIEW			
SN 041-7056			
SCALE:	SHEET	OF SHEETS	STA. TO STA.

F.A. ** RTE.	SECTION	COUNTY	TOTAL SHEETS	SHEET NO.
**	124CR-1/109CR-1	SAL/JEF	11	9
			CONTRACT NO. 78661	
		ILLINOIS	FED. AID PROJECT	

** FAP 776/FAS 2826 SALINE/JEFFERSON

MODEL: D:\p\full\...
 FILE NAME: ...
 PROJECT: ...
 SHEETS: ...

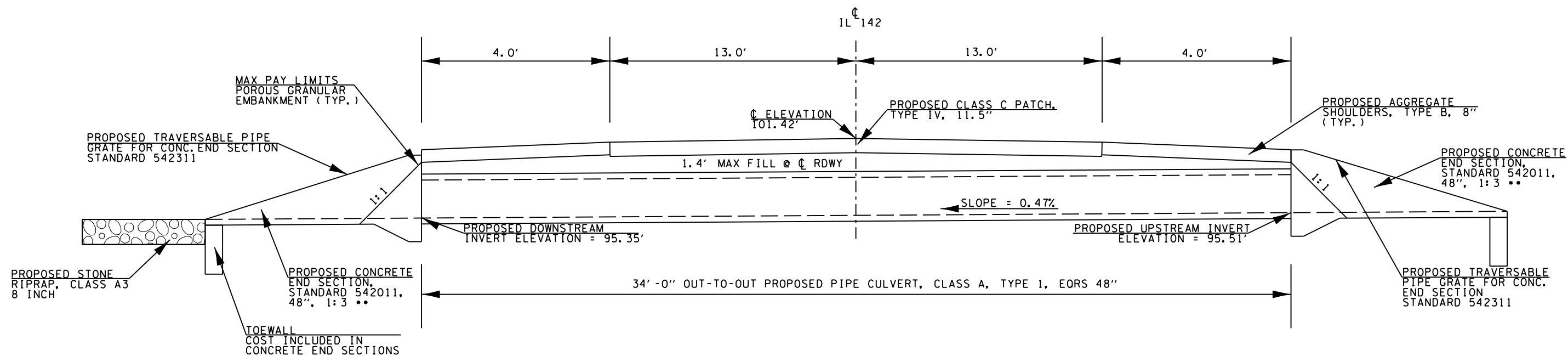
FINAL SECTION

HYDRAULIC DATA

DRAINAGE AREA = 0.21 SQ MI
 DESIGN WATERWAY OPENING = 25 SQ FT
 DESIGN DISCHARGE = 95.8 CFS
 DESIGN HEADWATER ELEVATION = 98.09 FT
 100 YEAR DISCHARGE = 110.4 CFS
 100 YEAR HEADWATER ELEVATION = 98.28 FT

•• NOTE: FURNISHED EXCAVATION TO FOLLOW SLOPE OF END SECTION(S) IN AREAS DESIGNATED FOR SEEDING

NOTE: ALL ELEVATIONS ARE RELATIVE TO BENCHMARK OF 100' LOCATED AT EXPOSED REBAR IN S.E. CORNER OF EXISTING EAST HEADWALL



ELEVATION
 (LOOKING NORTH)

MODEL: Default
 FILE NAME: P:\IL142\BARENDI\TEC\Illinois.gov\PIV\DOT\Documents\110DOT\Office\District 9\Projects\78661\CADD\DATA\CAD\Sheets\078661_Sheets.dwg

USER NAME = DUGASBC	DESIGNED -	REVISED -
PLOT SCALE = 100.0000' / in.	DRAWN -	REVISED -
PLOT DATE = 4/30/2018	CHECKED -	REVISED -
	DATE -	REVISED -

STATE OF ILLINOIS
DEPARTMENT OF TRANSPORTATION

FINAL SECTION
IL 142

SCALE: SHEET OF SHEETS STA. TO STA.

F.A. **	SECTION	COUNTY	TOTAL SHEETS	SHEET NO.
**	124CR-1/109CR-1	SAL/JEF	11	10
CONTRACT NO. 78661				
ILLINOIS		FED. AID PROJECT		

** FAP 776/FAS 2826

SALINE/JEFFERSON

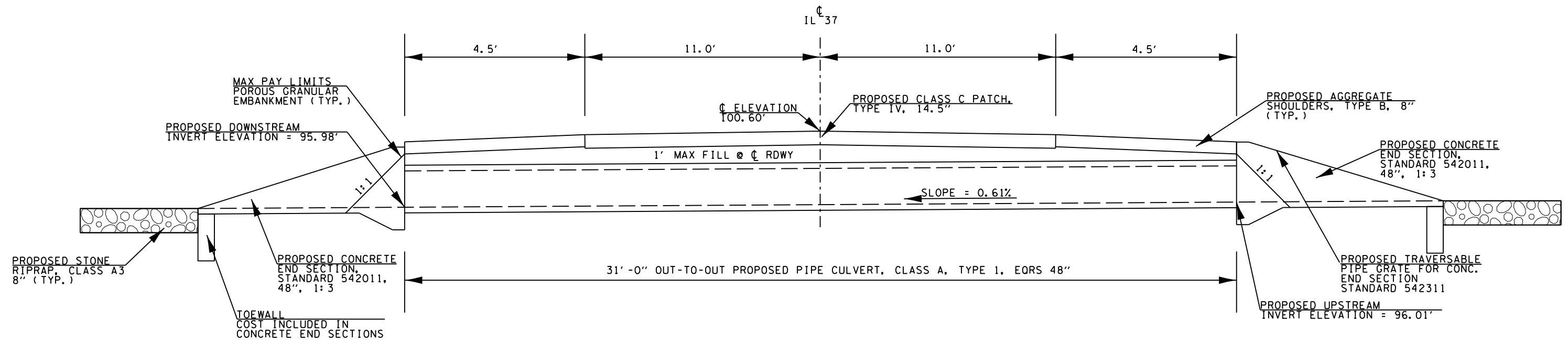
FINAL SECTION

HYDRAULIC DATA

DRAINAGE AREA = 0.11 SQ MI
 DESIGN WATERWAY OPENING = 25.13 SQ FT
 DESIGN DISCHARGE = 100.88 CFS
 DESIGN HEADWATER ELEVATION = 99.21 FT
 100 YEAR DISCHARGE = 118.19 CFS
 100 YEAR HEADWATER ELEVATION = 99.61 FT

NOTE: FURNISHED EXCAVATION IS TO FOLLOW
 SLOPE OF END SECTIONS IN AREAS
 DESIGNATED FOR SEEDING

NOTE: ALL ELEVATIONS ARE RELATIVE TO
 BENCHMARK OF 100' LOCATED AT
 EXPOSED REBAR IN S.E. CORNER
 OF EXISTING EAST HEADWALL



ELEVATION

(LOOKING NORTH)

MODEL: Default
 FILE NAME: P:\IL\8A\8A\ENR\NTEG\IIR\018001\RDWY\DOT\Documents\11001 - Office\District 9\Projects\78661\CADD\DATA\CAD\Sheet\0778661_Sheets.dwg

USER NAME = DUGASBC	DESIGNED -	REVISED -
	DRAWN -	REVISED -
PLOT SCALE = 100.0000' / in.	CHECKED -	REVISED -
PLOT DATE = 5/9/2018	DATE -	REVISED -

STATE OF ILLINOIS
DEPARTMENT OF TRANSPORTATION

FINAL SECTION
IL 37

SCALE: SHEET OF SHEETS STA. TO STA.

F.A. **	SECTION	COUNTY	TOTAL SHEETS	SHEET NO.
**	124CR-1/109CR-1	SAL/JEF	11	11
CONTRACT NO. 78661				
ILLINOIS		FED. AID PROJECT		

** FAP 776/FAS 2826

SALINE/JEFFERSON