

INDEX OF SHEETS

08-04-2023 LETTING ITEM 057

- 1 COVER SHEET
- 2 HIGHWAY STANDARDS, GENERAL NOTES, & COMMITMENTS
- 3-4 SUMMARY OF QUANTITIES
- 5-6 TYPICAL SECTIONS
- 7-11 SCHEDULE OF QUANTITIES
- 12 LOCATION MAP

FOR LIST OF HIGHWAY STANDARDS, SEE SHEET NO.2

TRAFFIC DATA

I-55 TO IL-140

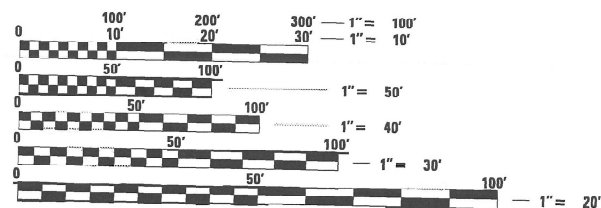
2021 ADT = 3300 (ACTUAL)
 2023 ADT = 3350 (ESTIMATED)
 2043 ADT = 4100 (ESTIMATED)
 SU = 5.5% MU = 12.1%

IL-140 TO FRUIT RD.

2021 ADT = 3650 (ACTUAL)
 2021 ADT = 3700 (ESTIMATED)
 2041 ADT = 4500 (ESTIMATED)
 SU = 4.9% MU = 11.0%

FRUIT RD. TO IL-143

2021 ADT = 3950 (ACTUAL)
 2023 ADT = 4000 (ESTIMATED)
 2043 ADT = 4900 (ESTIMATED)
 SU = 6.3% MU = 12.7%



FULL SIZE PLANS HAVE BEEN PREPARED USING STANDARD ENGINEERING SCALES. REDUCED SIZED PLANS WILL NOT CONFORM TO STANDARD SCALES. IN MAKING MEASUREMENTS ON REDUCED PLANS, THE ABOVE SCALES MAY BE USED.

J.U.L.I.E.
 JOINT UTILITY LOCATING INFORMATION FOR EXCAVATORS
 1-800-892-0123
 OR 811

PROJECT ENGINEER: BILLIE OWEN
 PROJECT MANAGER: MEIWU AN

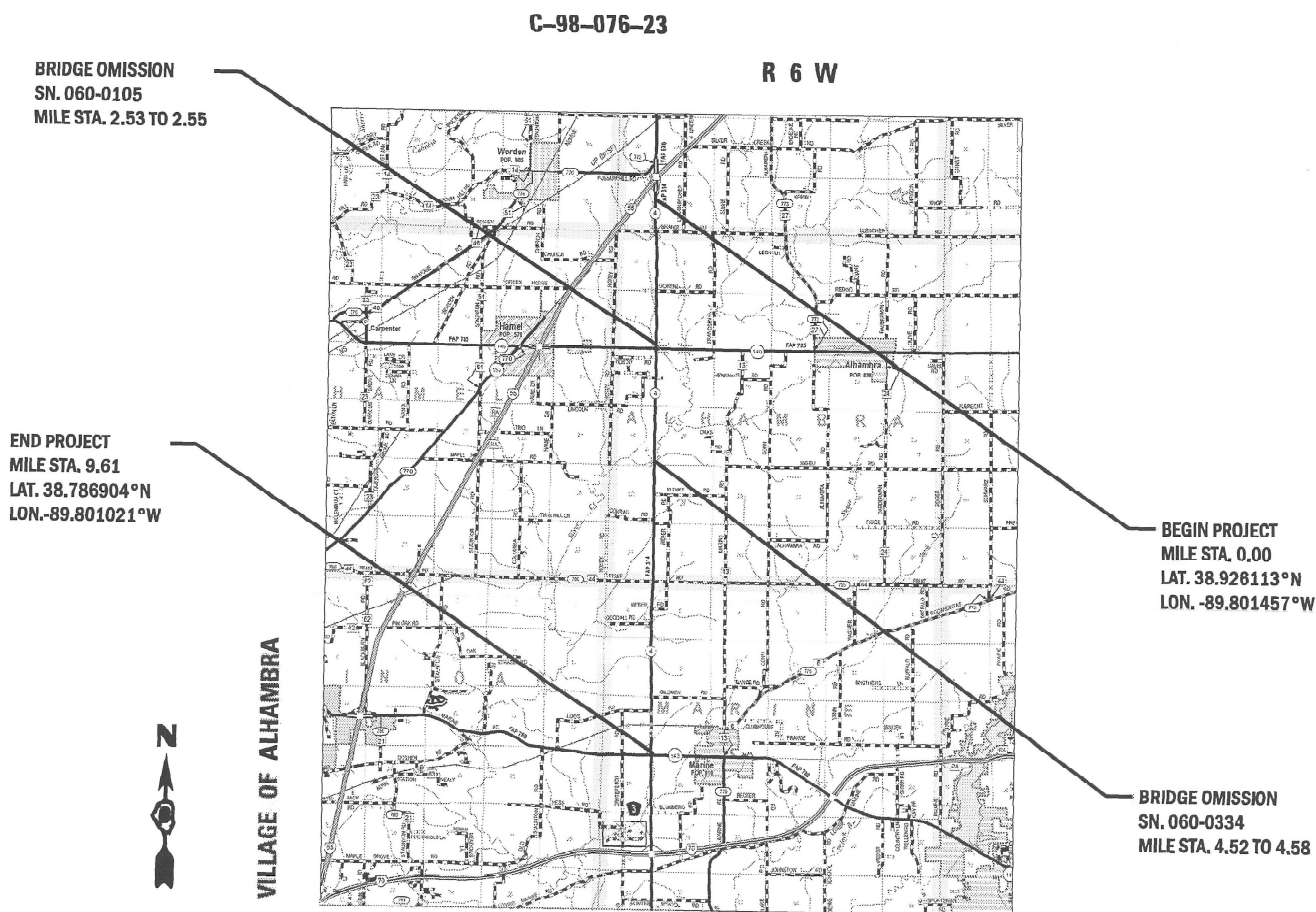
CONTRACT NO. 76T09

STATE OF ILLINOIS
 DEPARTMENT OF TRANSPORTATION

**PROPOSED
 HIGHWAY PLANS**

F.A.P. ROUTE 314 (IL 4)
 SECTION (108,109,110-2)RS-3
 RESURFACING-SMART OVERLAY
 IL 4 FROM 0.37 MILES S OF I-55 TO IL 143
 MADISON COUNTY

F.A.P. RTE.	SECTION	COUNTY	TOTAL SHEETS	SHEET NO.
314	(108,109,110-2)RS-3	MADISON	12	1
		ILLINOIS	CONTRACT NO. 76T09	



SCALE

GROSS LENGTH = 50,740.80 FEET = 9.610 MILES
 NET LENGTH = 50,312.80 FEET = 9.529 MILES

STATE OF ILLINOIS
 DEPARTMENT OF TRANSPORTATION

SUBMITTED May 18 2023
Frank H. Bruma
 REGIONAL ENGINEER

June 30, 2023 [Signature]
 ENGINEER OF DESIGN AND ENVIRONMENT

June 30, 2023 [Signature]
 DIRECTOR OF HIGHWAYS PROJECT IMPLEMENTATION

PRINTED BY THE AUTHORITY
 OF THE STATE OF ILLINOIS

100% STATE

CODE NO.	ITEM	UNIT	TOTAL QUANTITY	CONSTR. CODE
				ROADWAY 0005 RURAL
40600290	BITUMINOUS MATERIALS (TACK COAT)	POUND	65784	65784
40600372	LONGITUDINAL JOINT SEALANT, HALF-WIDTH	FOOT	100637	100637
40604052	HOT-MIX ASPHALT SURFACE COURSE, IL-9.5, MIX "C", N70	TON	12280	12280
44000155	HOT-MIX ASPHALT SURFACE REMOVAL, 1 1/2"	SQ YD	146186	146186
44200050	WELDED WIRE REINFORCEMENT	SQ YD	3294	3294
44201007	CLASS B PATCHES, TYPE II, 13 INCH	SQ YD	153	153
44201011	CLASS B PATCHES, TYPE III, 13 INCH	SQ YD	233	233
44201013	CLASS B PATCHES, TYPE IV, 13 INCH	SQ YD	3061	3061
44201299	DOWEL BARS 1 1/2"	EACH	1887	1887
44213200	SAW CUTS	FOOT	7200	7200
44213204	TIE BARS 3/4"	EACH	672	672
67000400	ENGINEER'S FIELD OFFICE, TYPE A	CAL MO	4	4
67100100	MOBILIZATION	L SUM	1	1
70100450	TRAFFIC CONTROL AND PROTECTION, STANDARD 701201	L SUM	1	1

MODEL: Default
 FILE NAME: p:\project-aw-beadley.com\p\DOT\Documents\DOT Office\Dir\dir: E:\Project\0875109\Cadd\Draws\Cadd\Draws\0875109-ahs-SQ.dgn

USER NAME = Meseret.sima	DESIGNED -	REVISED -
	DRAWN -	REVISED -
PLOT SCALE = 100,0000 ' / in.	CHECKED -	REVISED -
PLOT DATE = 5/18/2023	DATE -	REVISED -

**STATE OF ILLINOIS
DEPARTMENT OF TRANSPORTATION**

SUMMARY OF QUANTITIES

SCALE: SHEET 1 OF 2 SHEETS STA. TO STA.

F.A.P. RTE.	SECTION	COUNTY	TOTAL SHEETS	SHEET NO.
314	(108,109,110-2)RS-3	MADISON	12	3
CONTRACT NO. 76T09			ILLINOIS FED. AID PROJECT	

100% STATE

CODE NO.	ITEM	UNIT	TOTAL QUANTITY	CONSTR. CODE	
				ROADWAY 0005	RURAL
70100460	TRAFFIC CONTROL AND PROTECTION, STANDARD 701306	L SUM	1	1	
70100600	TRAFFIC CONTROL AND PROTECTION, STANDARD 701336	L SUM	1	1	
70107025	CHANGEABLE MESSAGE SIGN	CAL DA	84	84	
70300100	SHORT TERM PAVEMENT MARKING	FOOT	5556	5556	
70300150	SHORT TERM PAVEMENT MARKING REMOVAL	SQ FT	2196	2196	
70300221	TEMPORARY PAVEMENT MARKING - LINE 4"- PAINT	FOOT	117968	117968	
70300281	TEMPORARY PAVEMENT MARKING - LINE 24"- PAINT	FOOT	30	30	
* 78000200	THERMOPLASTIC PAVEMENT MARKING - LINE 4"	FOOT	117968	117968	
* 78000650	THERMOPLASTIC PAVEMENT MARKING - LINE 24"	FOOT	30	30	
* 78100100	RAISED REFLECTIVE PAVEMENT MARKER	EACH	629	629	
78300200	RAISED REFLECTIVE PAVEMENT MARKER REMOVAL	EACH	629	629	
78300202	PAVEMENT MARKING REMOVAL - WATER BLASTING	SQ FT	40474	40474	
X4406040	PARTIAL DEPTH REMOVAL, TYPE I, 4"	SQ YD	30	30	
X4406240	PARTIAL DEPTH REMOVAL, TYPE II, 4"	SQ YD	2156	2156	

* SPECIALTY ITEM

100% STATE

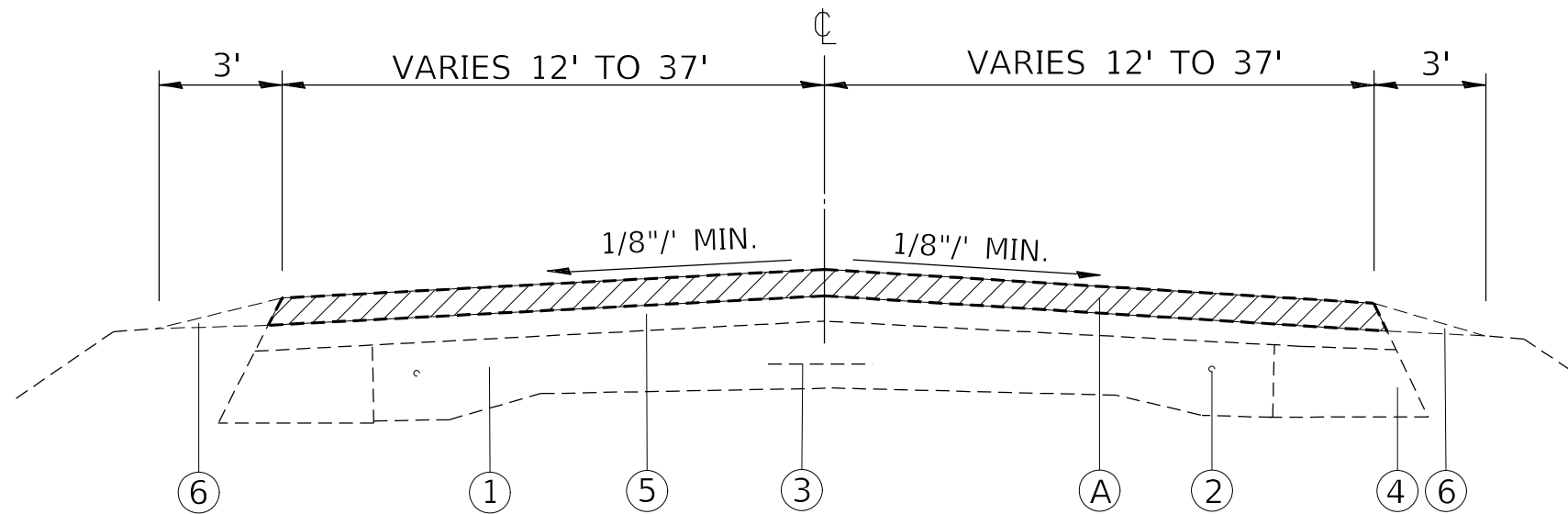
CODE NO.	ITEM	UNIT	TOTAL QUANTITY	CONSTR. CODE	
				ROADWAY 0005	RURAL
X4406440	PARTIAL DEPTH REMOVAL, TYPE III, 4"	SQ YD	128	128	
X4406640	PARTIAL DEPTH REMOVAL, TYPE IV, 4"	SQ YD	264	264	
X4421000	PARTIAL DEPTH PATCHING	TON	578	578	
Ø Z0076604	TRAINEES TRAINING PROGRAM GRADUATE	HOUR	2000	2000	
Z0034105	MATERIAL TRANSFER DEVICE	TON	12280	12280	

Ø 0042

MODEL: Default
 FILE: \\na16c-pw-bufile.com\FW\DOT\Documents\DOT Office\Dir\dr. B\Project\0875109\Cadd\Draws\Cadd\Sheet\0875109-shs-S00.dgn

REV. - MS

USER NAME = Meseret.sima PLOT SCALE = 100,0000 ' / in. PLOT DATE = 5/18/2023	DESIGNED - DRAWN - CHECKED - DATE -	REVISED - REVISED - REVISED - REVISED -	STATE OF ILLINOIS DEPARTMENT OF TRANSPORTATION	SUMMARY OF QUANTITIES SCALE: SHEET 2 OF 2 SHEETS STA. TO STA.	F.A.P. RTE. 314 SECTION (108,109,110-2)RS-3 COUNTY MADISON TOTAL SHEETS 12 SHEET NO. 4 CONTRACT NO. 76T09 ILLINOIS FED. AID PROJECT
------------------------------------------------------------------------------------	----------------------------------------------	--------------------------------------------------	---------------------------------------------------	------------------------------------------------------------------	-------------------------------------------------------------------------------------------------------------------------------------------------------

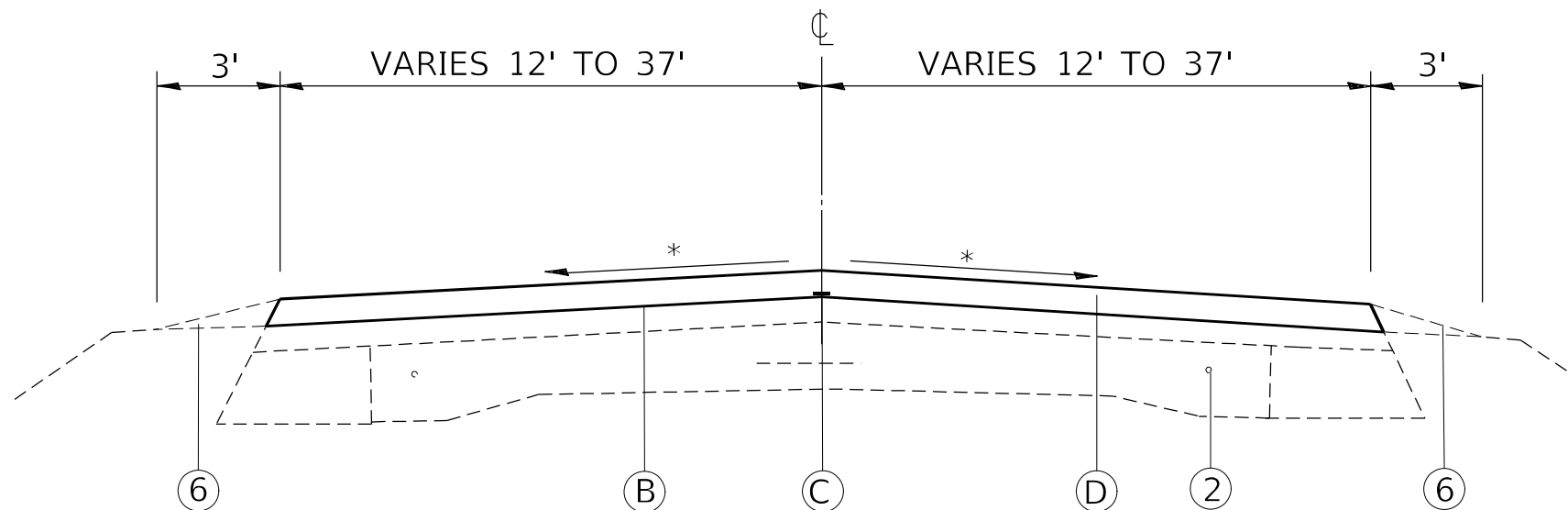


EXISTING TYPICAL SECTION

M.S. 0.00 TO 2.59
M.S. 2.66 TO 9.61

BRIDGE OMISSION 2.53 TO 2.55
BRIDGE OMISSION 4.52 TO 4.58

* MATCH EXISTING



PROPOSED TYPICAL SECTION

M.S. 0.00 TO 2.59
M.S. 2.66 TO 9.61

BRIDGE OMISSION 2.53 TO 2.55
BRIDGE OMISSION 4.52 TO 4.58

LEGEND

- ① EXISTING PCC PAVEMENT 9"-6"-9"
- ② EXISTING SMOOTH BAR, 7/8"
- ③ EXISTING DEFORMED BAR, 1/2"
- ④ EXISTING HMA BASE COURSE, 9"
- ⑤ EXISTING HMA RESURFACING, +/- 4"
- ⑥ EXISTING AGGREGATE SHOULDER WEDGE

- (A) PROPOSED HMA SURFACE REMOVAL, 1 1/2"
- (B) PROPOSED BITUMINOUS MATERIALS (TACK COAT)
- (C) PROPOSED LONGITUDINAL JOINT SEALANT
- (D) PROPOSED HOT-MIX ASPHALT SURFACE COURSE, MIX "C", N70, 1 1/2"

MODEL: Default
 FILE: \\MAILSrv\public\aw-beckley.com\PI\DOT\Documents\DOT_Offices\Dir\dr. B\Project\0875109\CADD\DATA\CAD\Sheet\0875109-shc-typical.dwg

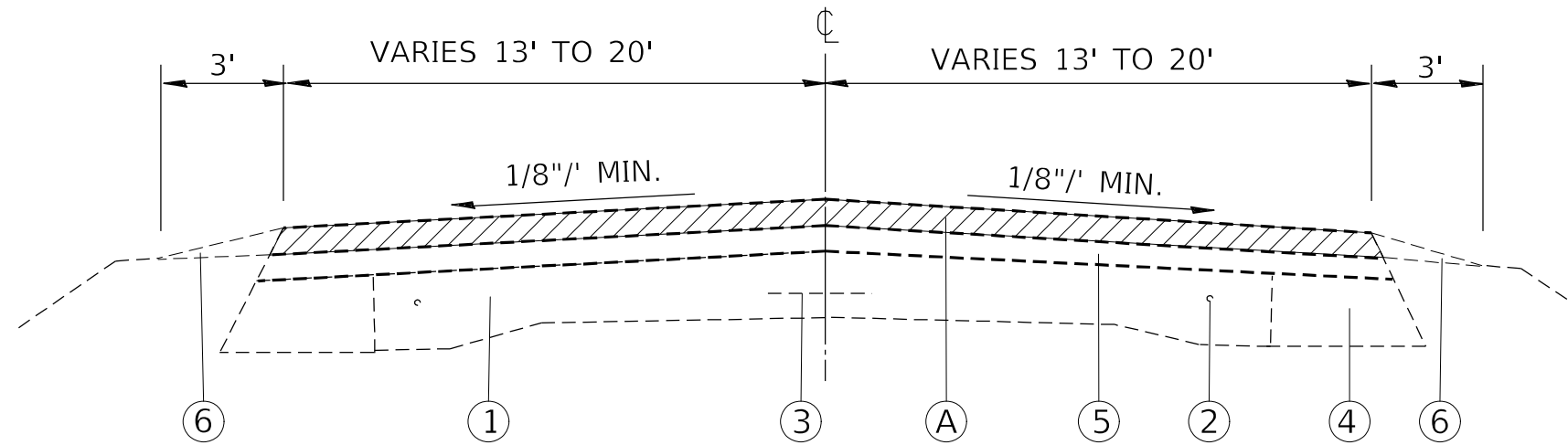
USER NAME = Meseret.sima	DESIGNED -	REVISED -
	DRAWN -	REVISED -
PLOT SCALE = 100,0000 ' / in.	CHECKED -	REVISED -
PLOT DATE = 5/18/2023	DATE -	REVISED -

**STATE OF ILLINOIS
DEPARTMENT OF TRANSPORTATION**

TYPICAL SECTIONS

SCALE: SHEET 1 OF 2 SHEETS STA. TO STA.

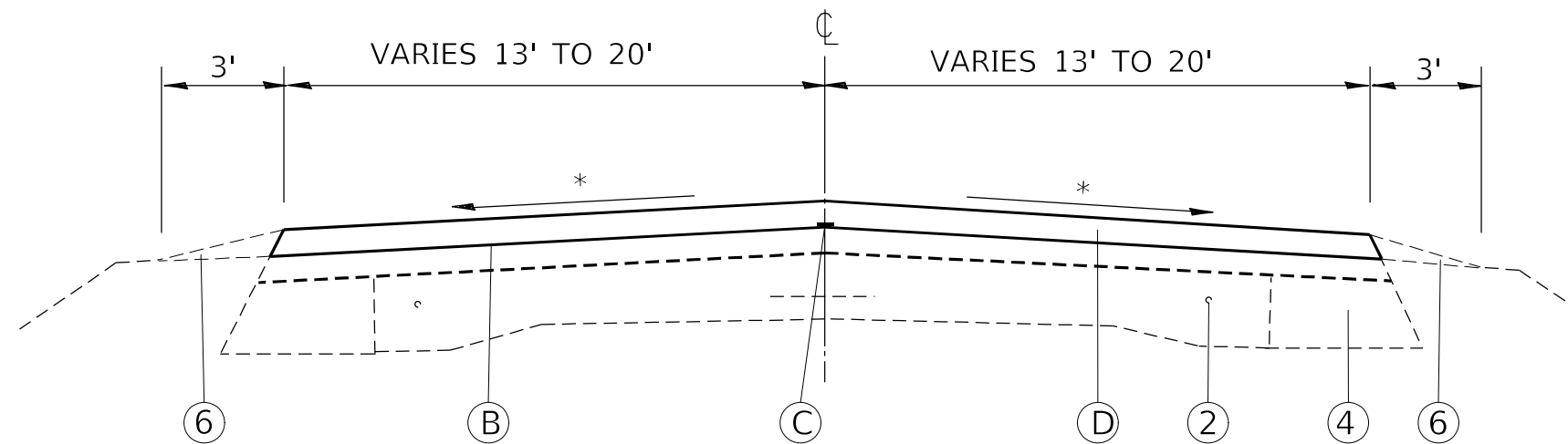
F.A.P. RTE.	SECTION	COUNTY	TOTAL SHEETS	SHEET NO.
314	(108,109,110-2)RS-3	MADISON	12	5
CONTRACT NO. 76T09			ILLINOIS FED. AID PROJECT	



EXISTING TYPICAL SECTION

M.S. 2.59 TO 2.66

* MATCH EXISTING



PROPOSED TYPICAL SECTION

M.S. 2.59 TO 2.66

LEGEND

- ① EXISTING PCC PAVEMENT 9"-6"-9"
- ② EXISTING SMOOTH BAR, 7/8"
- ③ EXISTING DEFORMED BAR, 1/2"
- ④ EXISTING HMA BASE COURSE, 9"
- ⑤ EXISTING HMA RESURFACING, +/- 4"
- ⑥ EXISTING AGGREGATE SHOULDER WEDGE

- (A) PROPOSED HMA SURFACE REMOVAL, 1 1/2"
- (B) PROPOSED BITUMINOUS MATERIALS (TACK COAT)
- (C) PROPOSED LONGITUDINAL JOINT SEALANT
- (D) PROPOSED HOT-MIX ASPHALT SURFACE COURSE, MIX "C", N70, 1 1/2"

MODEL: Default
 FILE: \\mifs-pw-backend.com\P\DOT\Documents\DOT_Offices\Dir\dr. B\Project\0875109\CADD\DATA\CADD\Sheet\0875109-sh2-typical.dgn

USER NAME = Meseret.sima	DESIGNED -	REVISED -
	DRAWN -	REVISED -
PLOT SCALE = 100,0000 ' / in.	CHECKED -	REVISED -
PLOT DATE = 5/18/2023	DATE -	REVISED -

**STATE OF ILLINOIS
DEPARTMENT OF TRANSPORTATION**

TYPICAL SECTIONS

SCALE: SHEET 2 OF 2 SHEETS STA. TO STA.

F.A.P. RTE.	SECTION	COUNTY	TOTAL SHEETS	SHEET NO.
314	(108,109,110-2)RS-3	MADISON	12	6
CONTRACT NO. 76T09			ILLINOIS FED. AID PROJECT	

CLASS B PATCHES 13 INCH SCHEDULE

MILE STATION	NB/SB	LENGTH	WIDTH	TYPE II	TYPE III	TYPE IV	SAWCUTS	DOWEL BARS 1 1/2"	TIE BARS 3/4"	WELDED WIRE REINFORCEMENT
		FOOT	FOOT	(SQYD)	(SQYD)	(SQ YD)	(FT)	(EACH)	(EACH)	(SQ YD)
IL 4										
0.3	SB	6.0	12.0	8.0			48	20		
0.3	NB	6.0	12.0	8.0			48	20		
BRANDT RD										
0.6	NB	6.0	12.0	8.0			48	20		
0.6	SB	6.0	12.0	8.0			48	20		
0.8	NB	12.0	12.0		16.0		60	20		16.0
0.8	SB	12.0	12.0		16.0		60	20		16.0
1.0	NB	6.0	12.0	8.0			48	20		
1.1	NB	120.0	12.0			160.0	276	70	40.0	160.0
1.4	NB	30.0	12.0			40.0	96	20	10.0	40.0
Gorenz Rd										
2.1	NB	60.0	12.0			80.0	156	30	20.0	80.0
2.1	SB	60.0	12.0			80.0	156	30	20.0	80.0
2.2	NB	120.0	12.0			160.0	276	70	40.0	160.0
2.2	SB	120.0	12.0			160.0	276	70	40.0	160.0
2.3	SB	12.0	12.0		16.0		60	20		16.0
2.3	NB	30.0	12.0			40.0	96	20	10.0	40.0
2.9	NB	6.0	12.0	8.0			48	20		
2.9	SB	6.0	12.0	8.0			48	20		
Lincoln Dr										
3.3	NB	40.0	12.0			53.3	116	20	13.3	53.3
3.3	SB	40.0	12.0			53.3	116	20	13.3	53.3
3.4	NB	25.0	12.0			33.3	86	20	8.3	33.3
3.7	NB	12.0	12.0		16.0		60	20		16.0
3.7	NB	12.0	12.0		16.0		60	20		16.0
4.2	NB	6.0	12.0	8.0			48	20		
4.2	SB	12.0	12.0		16.0		60	20		16.0
4.2	NB	20.0	12.0			26.7	76	20		26.7
4.2	SB	20.0	12.0			26.7	76	20		26.7
4.6	SB	20.0	12.0			26.7	76	20		26.7
4.7	NB	40.0	12.0			53.3	116	20	13.3	53.3
4.7	SB	8.0	12.0	10.7			52	20		
Klenke Rd										
5.2	NB	30.0	12.0			40.0	96	20	10.0	40.0
Bike Trail										
5.2	NB	20.0	12.0			26.7	76	20		26.7
5.4	NB	40.0	12.0			53.3	116	20	13.3	53.3
Conrad Rd										
5.7	NB	10.0	12.0	13.3			56	20		
5.8	SB	10.0	12.0	13.3			56	20		
5.9	SB	30.0	12.0			40.0	96	20	10.0	40.0
6.2	NB	40.0	12.0			53.3	116	20	13.3	53.3
6.2	SB	40.0	12.0			53.3	116	20	13.3	53.3
Fruit Rd										
6.7	NB	15.0	12.0		20.0		66	20		20.0
6.7	SB	15.0	12.0		20.0		66	20		20.0
7.0	NB	15.0	12.0		20.0		66	20		20.0
7.0	SB	12.0	12.0		16.0		60	20		16.0
7.1	NB	40.0	12.0			53.3	116	20	13.3	53.3
7.1	SB	40.0	12.0			53.3	116	20	13.3	53.3
7.3	NB	6.0	12.0	8.0			48	20		
7.3	SB	6.0	12.0	8.0			48	20		
Goodall Rd										
7.5	NB	25.0	12.0			33.3	86	20	8.3	33.3
7.5	SB	25.0	12.0			33.3	86	20	8.3	33.3
7.7	NB	30.0	12.0			40.0	96	20	10.0	40.0
7.9	NB	15.0	12.0		20.0		66	20		20.0
7.9	SB	15.0	12.0		20.0		66	20		20.0
8.0	NB	8.0	12.0	10.7			52	20		
8.0	SB	8.0	12.0	10.7			52	20		
8.1	NB	150.0	12.0			200.0	336	90	50.0	200.0
8.1	SB	150.0	12.0			200.0	336	90	50.0	200.0
8.2	SB	30.0	12.0			40.0	96	20	10.0	40.0
8.2	NB	30.0	12.0			40.0	96	20	10.0	40.0
8.2	NB	55.0	12.0			73.3	146	20	18.3	73.3
9.5	NB	30.0	12.0			40.0	96	20	10.0	40.0
IL-4 PATCHS AT IL-140*										
	NB	200	20			444.4	450	140	66.7	444.4
	SB	163	15			271.7	371	105	54.3	271.7
SUB TOTAL D				138.7	212.0	2782.8	6545.0	1715.0	611.0	2994.8
10% ALLOWANCE FOR FAILLRE				13.9	21.2	278.3	654.5	171.5	61.1	299.5
TOTAL				153	233	3061	7200	1887	672	3294

MODEL: Default
 FILE: \\mifs-pw-bendev.com\P\DOT\Documents\DOT_Offices\Dir\dr_8\Project\0875109\CAD\data\CAD\sheet\0875109-shs-schedule.dgn

USER NAME = Meseret.sima
PLOT SCALE = 100,0000' / in.
PLOT DATE = 5/18/2023

DESIGNED -	REVISED -
DRAWN -	REVISED -
CHECKED -	REVISED -
DATE -	REVISED -

**STATE OF ILLINOIS
DEPARTMENT OF TRANSPORTATION**

SCHEDULE OF QUANTITIES

SCALE: SHEET 1 OF 5 SHEETS STA. TO STA.

F.A.P. RTE.	SECTION	COUNTY	TOTAL SHEETS	SHEET NO.
314	(108,109,110-2)RS-3	MADISON	12	7
CONTRACT NO. 76T09				
ILLINOIS FED. AID PROJECT				

PARTIAL DEPTH PATCHES 4"								
MILE STATION	SB/NB	LENGTH	WIDTH	PARTIAL DEPTH REMOVAL TYPE I	PARTIAL DEPTH REMOVAL TYPE II	PARTIAL DEPTH REMOVAL TYPE III	PARTIAL DEPTH REMOVAL TYPE IV	PARTIAL DEPTH PATCHING
		(FOOT)	(FOOT)	(SQ YD)	(SQ YD)	(SQ YD)	(SQ YD)	TON
IL 4								
0.0	NB	6.0	12.0		8.00			1.79
0.0	SB	6.0	12.0		8.00			1.79
0.0	NB	6.0	12.0		8.00			1.79
0.0	SB	6.0	12.0		8.00			1.79
0.0	NB	10.0	12.0		13.33			2.99
0.1	NB	10.0	12.0		13.33			2.99
0.1	NB	20.0	6.0		13.33			2.99
0.1	NB	20.0	6.0		13.33			2.99
0.3	NB	6.0	12.0		8.00			1.79
0.3	SB	6.0	12.0		8.00			1.79
0.3	SB	6.0	12.0		8.00			1.79
0.3	NB	6.0	12.0		8.00			1.79
0.3	SB	6.0	12.0		8.00			1.79
0.4	NB	6.0	12.0		8.00			1.79
0.4	SB	6.0	12.0		8.00			1.79
0.4	SB	6.0	12.0		8.00			1.79
0.4	SB	6.0	12.0		8.00			1.79
0.4	NB	6.0	12.0		8.00			1.79
0.4	SB	6.0	12.0		8.00			1.79
0.4	NB	6.0	12.0		8.00			1.79
0.4	NB	10.0	6.0	6.67				1.49
BRANDT RD								0.00
0.5	NB	6.0	12.0		8.00			1.79
0.5	SB	20.0	12.0		26.67			5.97
0.6	SB	6.0	12.0		8.00			1.79
0.6	SB	6.0	12.0		8.00			1.79
0.6	NB	6.0	12.0		8.00			1.79
0.6	NB	6.0	12.0		8.00			1.79
0.6	SB	6.0	12.0		8.00			1.79
0.6	SB	6.0	12.0		8.00			1.79
0.6	NB	6.0	12.0		8.00			1.79
0.6	SB	6.0	12.0		8.00			1.79
0.7	NB	6.0	12.0		8.00			1.79
0.7	NB	6.0	12.0		8.00			1.79
0.8	NB	6.0	12.0		8.00			1.79
0.8	SB	6.0	12.0		8.00			1.79
0.8	SB	6.0	12.0		8.00			1.79
0.9	SB	6.0	12.0		8.00			1.79
1.0	NB	6.0	6.0	4.00				0.90
1.0	SB	6.0	6.0	4.00				0.90
1.0	NB	150.0	6.0				100.00	22.40
1.1	NB	20.0	12.0		26.67			5.97
1.1	NB	6.0	12.0		8.00			1.79
1.1	SB	6.0	12.0		8.00			1.79
1.2	NB	40.0	6.0		26.67			5.97
1.2	NB	6.0	12.0		8.00			1.79
1.2	SB	6.0	12.0		8.00			1.79
1.4	SB	6.0	12.0		8.00			1.79
Gorenz Rd								0.00
1.6	NB	15.0	6.0		10.00			2.24
2.0	NB	6.0	12.0		8.00			1.79
2.0	SB	6.0	12.0		8.00			1.79
2.0	NB	6.0	12.0		8.00			1.79
2.0	SB	6.0	12.0		8.00			1.79
2.0	NB	6.0	12.0		8.00			1.79
2.0	SB	6.0	12.0		8.00			1.79
2.0	NB	6.0	12.0		8.00			1.79
2.0	SB	6.0	12.0		8.00			1.79
2.1	NB	6.0	12.0		8.00			1.79
2.1	SB	6.0	12.0		8.00			1.79
2.1	NB	6.0	12.0		8.00			1.79
2.1	SB	6.0	12.0		8.00			1.79
2.1	SB	6.0	12.0		8.00			1.79
2.4	NB	30.0	12.0		40.00			8.96
SUB TOTAL A				14.67	575.33	0.00	100.00	154.56
ANTICIPATED FAILURES 20%				2.93	115.07	0.00	20.00	30.91
TOTAL A				17.60	690.40	0.00	120.00	185.47

MODEL: Default
 FILE NAME: \\pilot-cw-beadley.com\Pilot\DOT\Documents\DOT_Offices\Dir\dir_8\Project\0875109\CAD\data\CAD\sheet\0875109-shs-schedule.dgn

USER NAME = Meseret.sima	DESIGNED -	REVISED -
	DRAWN -	REVISED -
PLOT SCALE = 100,0000' / in.	CHECKED -	REVISED -
PLOT DATE = 5/18/2023	DATE -	REVISED -

**STATE OF ILLINOIS
DEPARTMENT OF TRANSPORTATION**

SCHEDULE OF QUANTITIES			
SCALE:	SHEET 2	OF 5 SHEETS	STA. TO STA.

F.A.P. RTE.	SECTION	COUNTY	TOTAL SHEETS	SHEET NO.
314	(108,109,110-2)RS-3	MADISON	12	8
			CONTRACT NO. 76T09	
		ILLINOIS	FED. AID PROJECT	

PARTIAL DEPTH PATCHES 4"

MILE STATION	SB/NB	LENGTH (FOOT)	WIDTH (FOOT)	PARTIAL DEPTH REMOVAL TYPE I (SQ YD)	PARTIAL DEPTH REMOVAL TYPE II (SQ YD)	PARTIAL DEPTH REMOVAL TYPE III (SQ YD)	PARTIAL DEPTH REMOVAL TYPE IV (SQ YD)	PARTIAL DEPTH PATCHING TON
IL 140								
2.8	NB	6.0	12.0		8.00			1.79
2.8	SB	6.0	12.0		8.00			1.79
2.8	NB	6.0	12.0		8.00			1.79
2.8	SB	6.0	12.0		8.00			1.79
2.8	NB	6.0	12.0		8.00			1.79
2.8	NB	6.0	12.0		8.00			1.79
2.8	NB	6.0	12.0		8.00			1.79
2.8	SB	6.0	12.0		8.00			1.79
2.9	NB	6.0	12.0		8.00			1.79
2.9	SB	6.0	12.0		8.00			1.79
2.9	SN	6.0	12.0		8.00			1.79
3.0	NB	12.0	12.0		16.00			3.58
3.0	NB	6.0	12.0		8.00			1.79
Lincoln Dr								
3.1	NB	6.0	12.0		8.00			1.79
3.1	NB	6.0	12.0		8.00			1.79
3.1	SB	6.0	12.0		8.00			1.79
3.2	NB	6.0	12.0		8.00			1.79
3.2	SB	6.0	12.0		8.00			1.79
3.2	SB	6.0	12.0		8.00			1.79
3.2	NB	6.0	12.0		8.00			1.79
3.2	SB	6.0	12.0		8.00			1.79
3.2	NB	10.0	12.0		13.33			2.99
3.2	SB	6.0	12.0		8.00			1.79
3.2	NB	6.0	12.0		8.00			1.79
3.2	SB	6.0	12.0		8.00			1.79
3.4	SB	6.0	12.0		8.00			1.79
3.4	SB	6.0	12.0		8.00			1.79
3.4	NB	6.0	12.0		8.00			1.79
3.4	NB	6.0	12.0		8.00			1.79
3.5	NB	6.0	12.0		8.00			1.79
3.5	SB	6.0	12.0		8.00			1.79
3.5	NB	6.0	12.0		8.00			1.79
3.5	SB	40.0	12.0			53.33		11.95
3.6	NB	6.0	12.0		8.00			1.79
3.6	SB	6.0	12.0		8.00			1.79
3.6	NB	15.0	6.0		10.00			2.24
3.6	NB	6.0	12.0		8.00			1.79
3.6	SB	6.0	12.0		8.00			1.79
3.6	NB	6.0	12.0		8.00			1.79
3.6	SB	6.0	12.0		8.00			1.79
3.6	SB	6.0	12.0		8.00			1.79
3.7	SB	6.0	12.0		8.00			1.79
4.0	NB	6.0	6.0	4.00				0.90
4.1	NB	30.0	6.0		20.00			4.48
4.2	NB	20.0	12.0		26.67			5.97
4.2	SB	6.0	12.0		8.00			1.79
4.3	NB	40.0	6.0		26.67			5.97
4.4	SB	40.0	6.0		26.67			5.97
4.4	SB	20.0	6.0		13.33			2.99
4.8	NB	6.0	12.0		8.00			1.79
4.8	NB	6.0	12.0		8.00			1.79
4.8	SB	6.0	12.0		8.00			1.79
4.8	NB	6.0	12.0		8.00			1.79
4.8	SB	6.0	12.0		8.00			1.79
4.9	NB	6.0	12.0		8.00			1.79
4.9	SB	6.0	12.0		8.00			1.79
4.9	SB	30.0	12.0		40.00			8.96
4.9	NB	6.0	12.0		8.00			1.79
5.0	NB	6.0	12.0		8.00			1.79
5.0	NB	6.0	12.0		8.00			1.79
5.0	NB	6.0	12.0		8.00			1.79
5.0	SB	15.0	12.0		20.00			4.48
5.1	NB	6.0	12.0		8.00			1.79
5.1	SB	6.0	12.0		8.00			1.79
Klenke Rd								
5.1	NB	6.0	12.0		8.00			1.79
5.1	SB	6.0	12.0		8.00			1.79
SUB TOTAL B				4.00	636.57	53.33	0.00	155.46
ANTICIPATED FAILURES 20%				0.00	127.33	10.67	0.00	31.09
TOTAL B				4.00	764.00	64.00	0.00	186.55

MODEL: D:\m\h\...
 FILE NAME: ...
 PROJECT: ...
 USER: ...
 DATE: ...

USER NAME = Meseret.sima	DESIGNED -	REVISED -
PLOT SCALE = 100,0000' / in.	DRAWN -	REVISED -
PLOT DATE = 5/18/2023	CHECKED -	REVISED -
	DATE -	REVISED -

**STATE OF ILLINOIS
DEPARTMENT OF TRANSPORTATION**

SCHEDULE OF QUANTITIES

SCALE: SHEET 3 OF 5 SHEETS STA. TO STA.

F.A.P. RTE.	SECTION	COUNTY	TOTAL SHEETS	SHEET NO.
314	(108,109,110-2)RS-3	MADISON	12	9
CONTRACT NO. 76T09			ILLINOIS FED. AID PROJECT	

PARTIAL DEPTH PATCHES 4"								
MILE STATION	SB/NB	LENGTH	WIDTH	PARTIAL DEPTH REMOVAL TYPE I	PARTIAL DEPTH REMOVAL TYPE II	PARTIAL DEPTH REMOVAL TYPE III	PARTIAL DEPTH REMOVAL TYPE IV	PARTIAL DEPTH PATCHING
		(FOOT)	(FOOT)	(SQ YD)	(SQ YD)	(SQ YD)	(SQ YD)	TON
Bike Trail								
5.2	NB	6.0	12.0		8.00			1.79
5.2	NB	6.0	12.0		8.00			1.79
5.3	NB	25.0	6.0		16.67			3.73
5.3	NB	6.0	12.0		8.00			1.79
5.3	SB	6.0	12.0		8.00			1.79
5.3	SB	6.0	12.0		8.00			1.79
5.4	SB	6.0	12.0		8.00			1.79
5.4	NB	6.0	12.0		8.00			1.79
5.5	NB	6.0	12.0		8.00			1.79
5.5	SB	6.0	12.0		8.00			1.79
Conrad Rd								
5.7	SB	6.0	12.0		8.00			1.79
5.9	NB	6.0	12.0		8.00			1.79
6.1	NB	6.0	12.0		8.00			1.79
6.1	SB	6.0	12.0		8.00			1.79
6.4	SB	6.0	12.0		8.00			1.79
Fruit Rd								
6.7	NB	180.0	6.0				120.00	26.88
6.8	NB	20.0	12.0		26.67			5.97
6.8	SB	20.0	12.0		26.67			5.97
6.9	NB	6.0	12.0		8.00			1.79
6.9	SB	6.0	12.0		8.00			1.79
7.0	NB	6.0	12.0		8.00			1.79
7.0	SB	6.0	12.0		8.00			1.79
7.0	NB	6.0	12.0		8.00			1.79
7.0	SB	6.0	12.0		8.00			1.79
7.0	SB	6.0	12.0		8.00			1.79
7.0	NB	6.0	12.0		8.00			1.79
7.0	NB	6.0	12.0		8.00			1.79
7.2	NB	6.0	12.0		8.00			1.79
7.2	SB	6.0	12.0		8.00			1.79
7.3	NB	6.0	12.0		8.00			1.79
7.3	SB	6.0	12.0		8.00			1.79
7.4	NB	6.0	12.0		8.00			1.79
7.4	SB	8.0	12.0		10.67			2.39
Goodall Rd								
7.6	SB	6.0	12.0		8.00			1.79
7.6	NB	6.0	12.0		8.00			1.79
7.6	SB	6.0	12.0		8.00			1.79
7.6	NB	10.0	12.0		13.33			2.99
7.7	SB	6.0	12.0		8.00			1.79
7.8	SB	8.0	12.0		10.67			2.39
7.8	NB	6.0	12.0		8.00			1.79
7.8	NB	40.0	6.0		26.67			5.97
8.0	NB	20.0	6.0		13.33			2.99
8.0	NB	6.0	12.0		8.00			1.79
8.3	NB	10.0	12.0		13.33			2.99
8.3	SB	10.0	12.0		13.33			2.99
8.4	NB	6.0	12.0		8.00			1.79
8.6	NB	40.0	6.0		26.67			5.97
8.6	NB	10.0	6.0	6.67				1.49
8.6	NB	6.0	12.0		8.00			1.79
8.6	SB	6.0	12.0		8.00			1.79
Gilomen Rd								
8.7	NB	6.0	12.0		8.00			1.79
8.7	NB	6.0	12.0		8.00			1.79
8.8	NB	6.0	12.0		8.00			1.79
8.8	NB	6.0	12.0		8.00			1.79
8.8	SB	6.0	12.0		8.00			1.79
8.9	NB	80.0	6.0			53.33		11.95
Loos Rd								
8.9	SB	40.0	6.0		26.67			5.97
9.0	NB	20.0	6.0		13.33			2.99
9.5	SB	8.0	12.0		10.67			2.39
SUB TOTAL C				6.67	584.67	53.33	120.00	171.29
ANTICIPATED FAILURES 20%				1.33	116.93	10.67	24.00	34.26
TOTAL C				8.00	701.60	64.00	144.00	205.54

PARTIAL DEPTH PATCHES 4"					
TOTAL	PARTIAL DEPTH REMOVAL TYPE I (SQ YD)	PARTIAL DEPTH REMOVAL TYPE II (SQ YD)	PARTIAL DEPTH REMOVAL TYPE III (SQ YD)	PARTIAL DEPTH REMOVAL TYPE IV (SQ YD)	PARTIAL DEPTH PATCHING TON
TOTAL A	17.60	690.40	0.00	120.00	185.47
TOTAL B	4.80	764.00	64.00	0.00	186.55
TOTAL C	8.00	701.60	64.00	144.00	205.54
GRAND TOTAL	30	2156	128	264	578

MODEL: Default
 FILE: \\mifs-pw-backend.com\FW\DOT\Documents\DOT_Offices\Dir\dir: E:\Project\0875109\Cadd\Draw\CaddSheet\0875109-418-schedule.dgn

USER NAME = Meseret.sima	DESIGNED -	REVISED -
	DRAWN -	REVISED -
PLOT SCALE = 100,0000' / in.	CHECKED -	REVISED -
PLOT DATE = 5/18/2023	DATE -	REVISED -

**STATE OF ILLINOIS
DEPARTMENT OF TRANSPORTATION**

SCHEDULE OF QUANTITIES

SCALE: SHEET 4 OF 5 SHEETS STA. TO STA.

F.A.P. RTE.	SECTION	COUNTY	TOTAL SHEETS	SHEET NO.
314	(108,109,110-2)RS-3	MADISON	12	10
CONTRACT NO. 76T09				
ILLINOIS FED. AID PROJECT				

PAVEMENT SCHEDULE									
LOCATION			LENGTH	WIDTH	HMA SURFACE REMOVAL, 1 1/2"	BITUMINOUS MATERIALS (TACK COAT)	HOT-MIX ASPHALT SURFACE COURSE, IL-9.5, MIX "C", N70	LONGITUDINAL JOINT SEALANT, HALF-WIDTH	
STA.	TO	STA.	FOOT	FOOT	SQ YD	POUND	TON	FOOT	
IL-004									
0.00	TC	0.57	3009.6	26.0	8694.40	3912.48	730.33	6019.20	
0.57	TC	1.6	5438.4	26.0	15710.93	7069.92	1319.72	10876.80	
1.60	TC	2.53	4910.4	26.0	14185.60	6383.52	1191.59	9820.80	
2.53	TC	2.55	BRIDGE OMISSION						
2.55	TC	2.58	158.4	26	457.60	205.92	38.44	316.80	
2.58	TC	2.61	158.4	40	704.00	316.80	59.14	316.80	
2.61	TC	2.61						0.00	
2.61	TC	2.65	211.2	26	610.13	274.56	51.25	422.40	
2.65	TC	2.75	528.0	26	1525.33	686.40	128.13	1056.00	
2.75	TC	3.11	1900.8	26	5491.20	2471.04	461.26	3801.60	
3.11	TC	4.52	7444.8	26	21507.20	9678.24	1806.60	14889.60	
4.52	TC	4.58	BRIDGE OMISSION						
4.58	TC	6.64	10876.8	26	31421.87	14139.84	2639.44	21753.60	
6.64	TC	7.12	2534.4	26	7321.60	3294.72	615.01	5068.80	
7.12	TC	7.37	1320.0	26	3813.33	1716.00	320.32	2640.00	
7.37	TC	8.64	6705.6	26	19371.73	8717.28	1627.23	13411.20	
8.64	TC	9.3	3484.8	26	10067.20	4530.24	845.64	6969.60	
9.30	TC	9.57	1425.6	28	4435.20	1995.84	372.56	2851.20	
9.57	TC	9.61	211.2	37	868.27	390.72	72.93	422.40	
SUB TOTAL					146185.60	65783.52	12279.59	100636.80	
TOTAL					146186	65784	12280	100637	

PAVEMENT MARKING SCHEDULE													
LOCATION			LENGTH	THERMOPLASTIC PAVEMENT MARKING/TEMPORARY PAVEMENT MARKING LINE, 4"-PAINT			TEMPORARY/THERMOPLASTIC PAVEMENT MARKING LINE 24"	RAISED REFLECTIVE PAVEMENT MARKERS REMOVAL	RAISED REFLECTIVE PAVEMENT MARKERS	PAVEMENT MARKING REMOVAL - WATER BLASTING	SHORT TERM PAVEMENT MARKING	SHORT TERM PAVEMENT MARKING REMOVAL	
				SKIP-DASH YELLOW	SOLID YELLOW	SOLID WHITE							
				CENTERLINE	NO PASSING ZONE	EDGE LINE							
STA.	TO	STA.	FOOT	FOOT	FOOT	FOOT	FOOT	EACH	EACH	SQ FT	FOOT	SQ FT	
IL-004													
0.00	TO	0.24	1267.2	317		2534		16	16	950	166	55	
0.24	TO	0.37	686.4	172	686	1373		9	9	743	90	30	
0.37	TO	0.45	422.4	106		845		5	5	317	55	18	
0.45	TO	0.62	897.6	224	898	1795		11	11	973	118	39	
0.62	TO	0.8	950.4	238		1901		12	12	1029	124	41	
0.80	TO	0.85	264.0	66		528		3	3	198	35	12	
0.85	TO	1.01	844.8	211	845	1690		11	11	915	111	37	
1.01	TO	1.94	4910.4	1228		9821		61	61	3683	643	214	
1.94	TO	2.15	1108.8	277		2218		14	14	1201	145	48	
2.15	TO	2.3	792.0	198	792	1584		10	10	1122	104	35	
2.30	TO	2.49	1003.2	251	1003	2006		13	13	1087	131	44	
2.49	TO	2.53	211.2	53		422		3	3	158	28	9	
2.53	TO	2.55	BRIDGE OMISSION										
2.55	TO	2.61	316.8	79			30	4	4	86	41	14	
2.61	TO	2.75	739.2	185		1478		9	9	554	97	32	
2.75	TO	3.45	3696.0	924		7392		46	46	2772	484	161	
3.45	TO	3.45	0.0	0				0	0	0	0	0	
3.45	TO	3.57	633.6	158		1267		8	8	475	83	28	
3.57	TO	3.57	0.0	0									
3.57	TO	4.52	5016.0	1254		10032		63	63	3762	657	219	
4.52	TO	4.58	BRIDGE OMISSION										
4.58	TO	5.13	2904.0	726		5808		36	36	2178	380	127	
5.13	TO	5.23	528.0	132	528	1056		7	7	572	69	23	
5.23	TO	5.43	1056.0	264	1056	2112		13	13	1144	138	46	
5.43	TO	6.64	6388.8	1597		12778		80	80	4792	836	279	
6.64	TO	7.37	3854.4	964		7709		48	48	2891	505	168	
7.37	TO	8.64	6705.6	1676		13411		84	84	5029	878	293	
8.64	TO	9.3	3484.8	871		6970		44	44	2614	456	152	
9.30	TO	9.61	1636.8	409		3274		20	20	1228	214	71	
SUB TOTAL				12579.60	4594	4065	96730	30	629	629	40474	5556	2196
TOTAL					117968			30	629	629	40474	5556	2196

MODEL: Default
 FILE: \\mllp-01\public\aw-beach\paw.com\p\DOT\Documents\DOT_Offices\Dir\dr. B\Project\0875109\Cadd\Draws\0875109-Sub-Quant\B.dgn

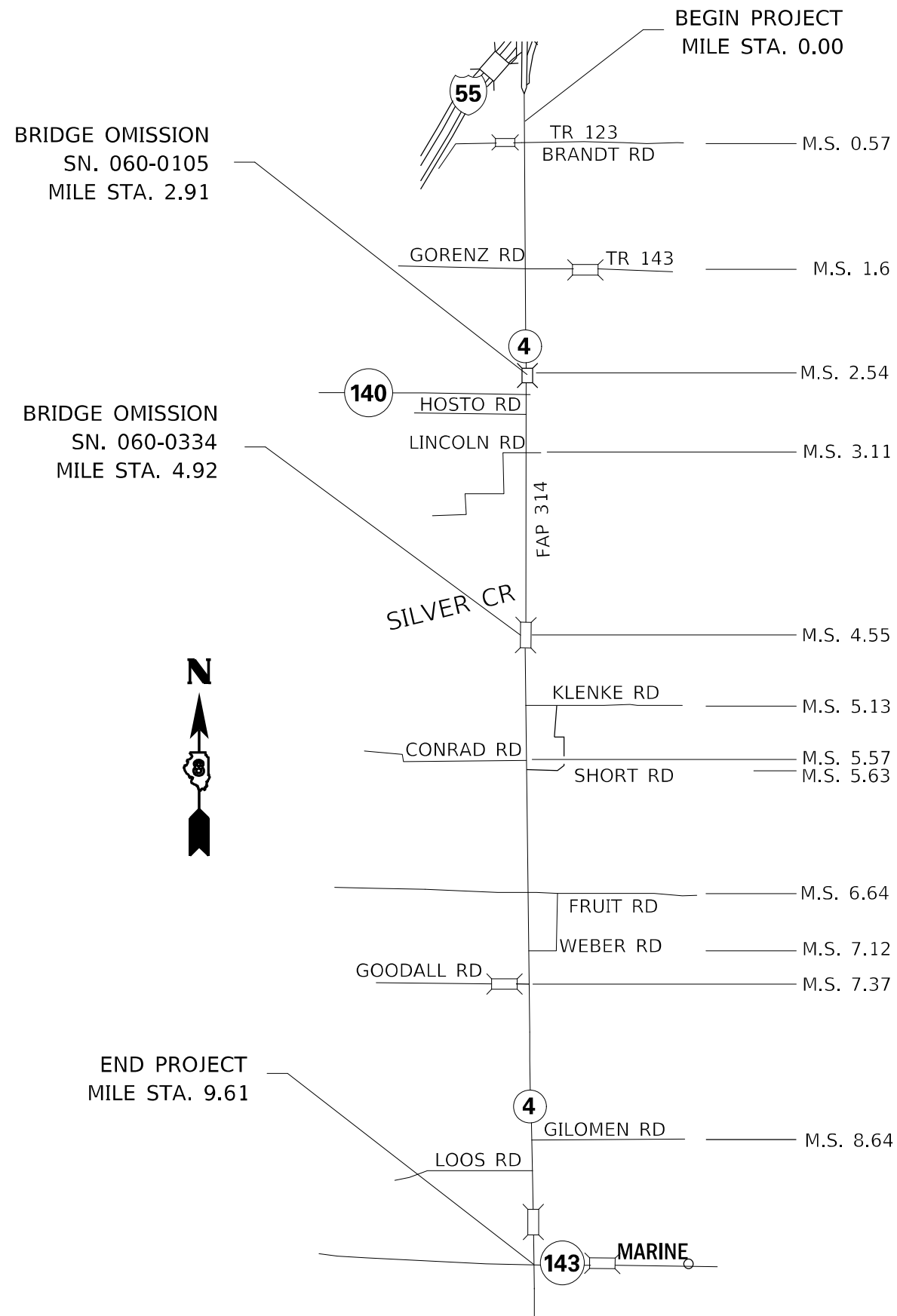
USER NAME = Meseret.sima	DESIGNED -	REVISED -
	DRAWN -	REVISED -
PLOT SCALE = 100,0000' / in.	CHECKED -	REVISED -
PLOT DATE = 5/18/2023	DATE -	REVISED -

STATE OF ILLINOIS
DEPARTMENT OF TRANSPORTATION

SCHEDULE OF QUANTITIES

SCALE: SHEET 5 OF 5 SHEETS STA. TO STA.

F.A.P. RTE.	SECTION	COUNTY	TOTAL SHEETS	SHEET NO.
314	(108,109,110-2)RS-3	MADISON	12	11
CONTRACT NO. 76T09				
ILLINOIS FED. AID PROJECT				



LOCATION MAP

NOT TO SCALE

MODEL: Default
 FILE: \\maris-pw-beadley.com\P\DOT\Documents\DOT_Offices\Dir\dir_8\Project\0875109\CADD\data\CAD\Sheet\0875109-sh-4\details.dwg

USER NAME = Meseret.sima	DESIGNED -	REVISED -
	DRAWN -	REVISED -
PLOT SCALE = 100,0000' / in.	CHECKED -	REVISED -
PLOT DATE = 5/18/2023	DATE -	REVISED -

**STATE OF ILLINOIS
DEPARTMENT OF TRANSPORTATION**

LOCATION MAP

SCALE: SHEET 1 OF 1 SHEETS STA. TO STA.

F.A.P. RTE.	SECTION	COUNTY	TOTAL SHEETS	SHEET NO.
314	(108,109,110-2)RS-3	MADISON	12	12
CONTRACT NO. 76T09			ILLINOIS FED. AID PROJECT	