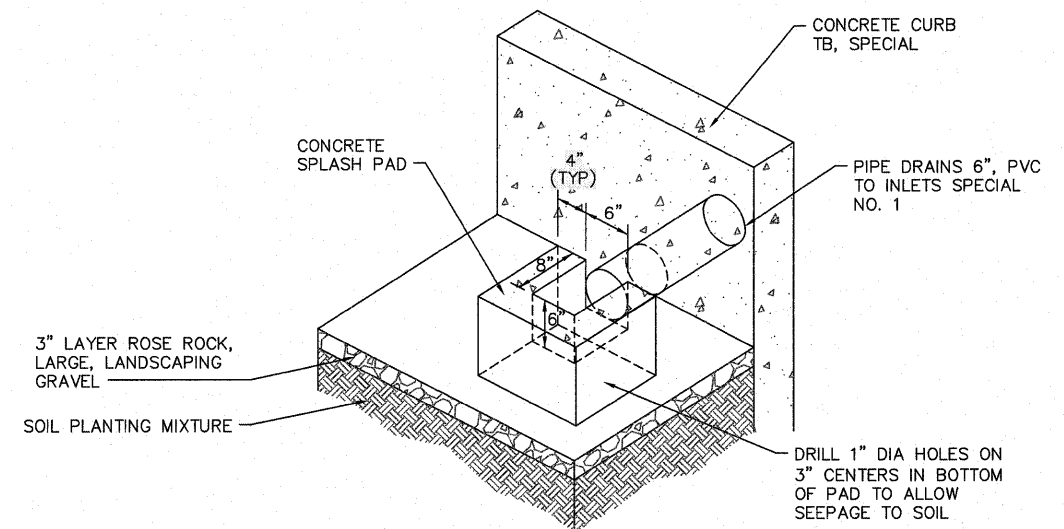


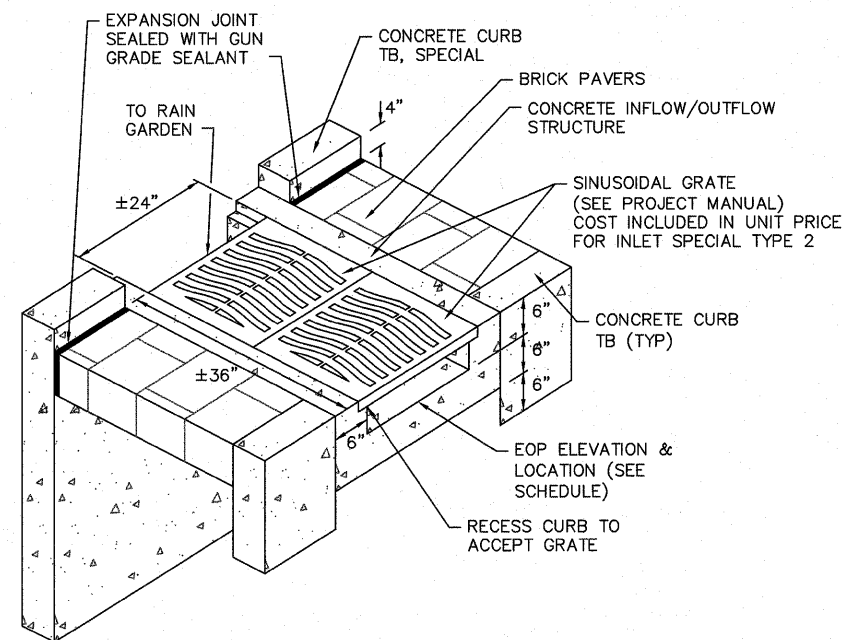
**INLETS SPECIAL NUMBER 1 DETAIL**

NOT TO SCALE  
 STA 24+25, 17.7' LT (INFLOW)  
 STA 24+67, 19.6' RT (OUTFLOW)  
 STA 24+68, 17.4' LT (OUTFLOW)



**CONCRETE SPLASH PAD DETAIL**

NOT TO SCALE



**INLETS SPECIAL NUMBER 2 DETAIL**

NOT TO SCALE  
 STA 22+40, 18.3' RT (OUTFLOW)  
 STA 22+62, 17.8' RT (INFLOW)  
 STA 23+98, 15.2' LT (OUTFLOW)  
 STA 24+84, 16.5' LT (INFLOW)  
 STA 24+89, 18.7' RT (INFLOW)

STATE OF ILLINOIS  
 DEPARTMENT OF TRANSPORTATION

DETAILS

FILE NAME =	USER NAME = ASHLEIGH ENGELMANN	DESIGNED - SLW	REVISED -
H:\P25040\DWG\PHASE 1\25040 - DESIGN.DWG		DRAWN - SLW	REVISED -
	PLOT SCALE = 4 1/64" = 1'	CHECKED - TLC	REVISED -
	PLOT DATE = 2011-06-20	DATE - 2010-06-11	REVISED -

F.A.U. RTE. 9302	SECTION 06-0045-00-SW	COUNTY MONROE	TOTAL SHEETS 24	SHEET NO. 16
CONTRACT NO. 97468				
SCALE:	SHEET NO. 5 OF 6 SHEETS	STA. 22+29.00 TO STA. 25+06.39	COLUMBIA	ILLINOIS FED. AID PROJECT