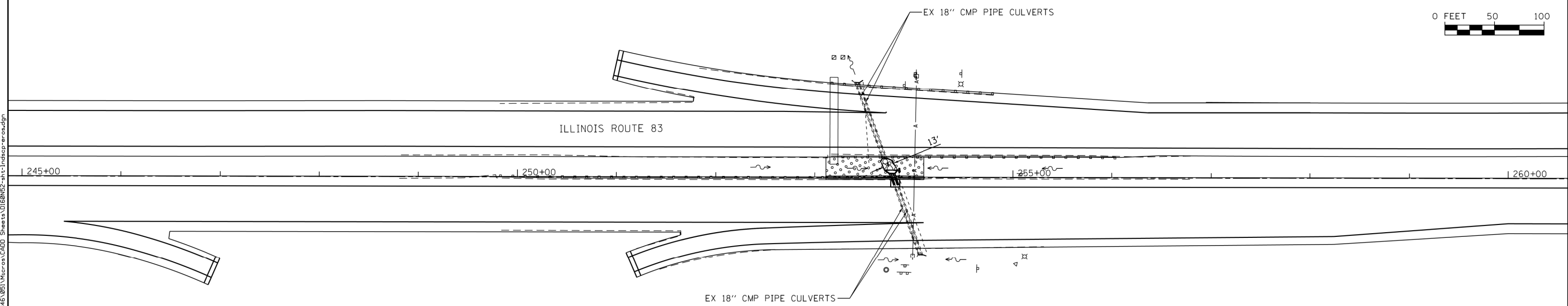
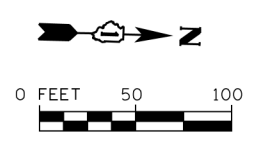


- LANDSCAPING LEGEND**
- SEEDING CLASS 2A
TOPSOIL FURNISH AND PLACE, 4"
AND EROSION CONTROL BLANKET
 - STONE RIPRAP, CLASS A3 OR A4



FILE NAME = SA\JUL16380-6395\6346\051\Micro\CA000 Sheets\016062-ht-landscape-road.dgn

SA STRAND ASSOCIATES
 1170 SOUTH HOUBOLT ROAD
 JULIET, ILLINOIS 60431
 (815) 744-4200

USER NAME = dennisw	DESIGNED - MAG	REVISED -
MODEL NAME = Default	DRAWN - DJW	REVISED -
PLOT SCALE = 100.0000' / 1" =	CHECKED - BMA	REVISED -
PLOT DATE = 1/4/2013	DATE - 01-03-13	REVISED -

**STATE OF ILLINOIS
 DEPARTMENT OF TRANSPORTATION**

LANDSCAPING AND PERMANENT EROSION AND SEDIMENT CONTROL

SCALE: 1" = 50' SHEET 1 OF 1 SHEETS STA. TO STA.

F.A.P. RTE.	SECTION	COUNTY	TOTAL SHEETS	SHEET NO.
344	544-RS-4	DUPAGE	53	25
CONTRACT NO. 60N52				
ILLINOIS FED. AID PROJECT				