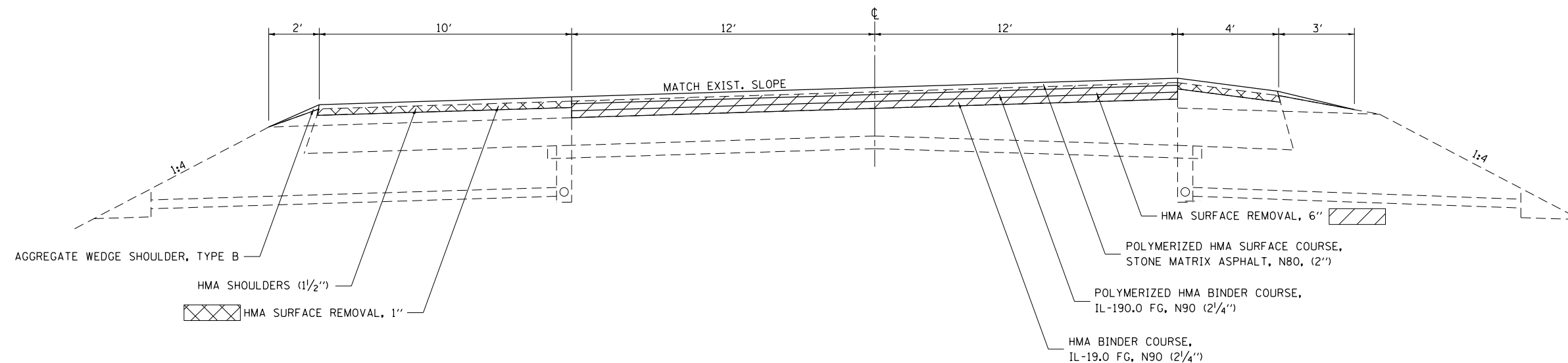


PROPOSED TYPICAL SECTION

WESTBOUND
 STA. 734+69.44 TO STA. 783+60.55

NOTE: NOTE TO SCALE



PROPOSED TYPICAL SECTION

EASTBOUND
 STA. 734+69.44 TO STA. 783+60.55

NOTE: NOTE TO SCALE

FILE NAME =	USER NAME = steffenmk	DESIGNED -	REVISED -
c:\pwork\pwork\stevfennk\d0338930\074255-sht-typicals.dgn		DRAWN -	REVISED -
Default	PLOT SCALE = 100.0000' / 1in.	CHECKED -	REVISED -
	PLOT DATE = 6/12/2014	DATE -	REVISED -

**STATE OF ILLINOIS
 DEPARTMENT OF TRANSPORTATION**

PROPOSED TYPICAL CROSS SECTIONS

SCALE: N.A. SHEET 5 OF 6 SHEETS STA. TO STA.

F.A.I. RTE.	SECTION	COUNTY	TOTAL SHEETS	SHEET NO.
70	(26-3,4)RS-3	FAYETTE	31	11
CONTRACT NO. 74255			ILLINOIS FED. AID PROJECT	