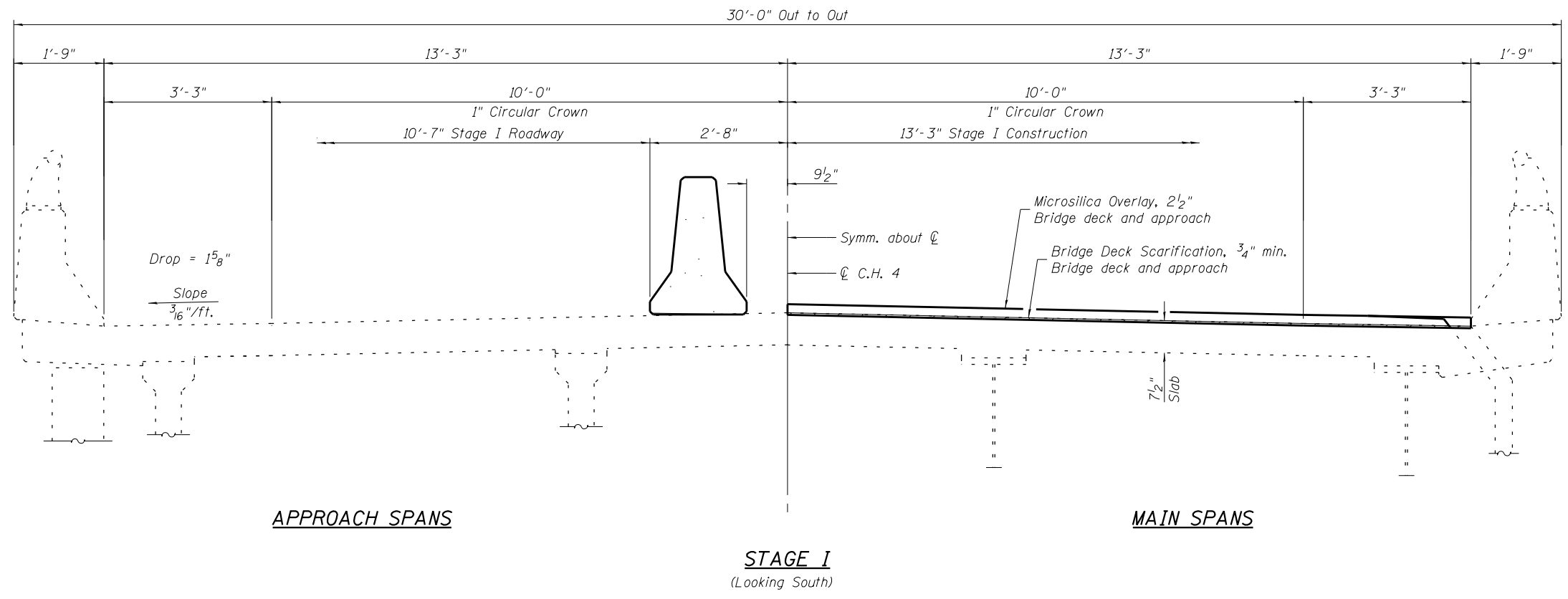


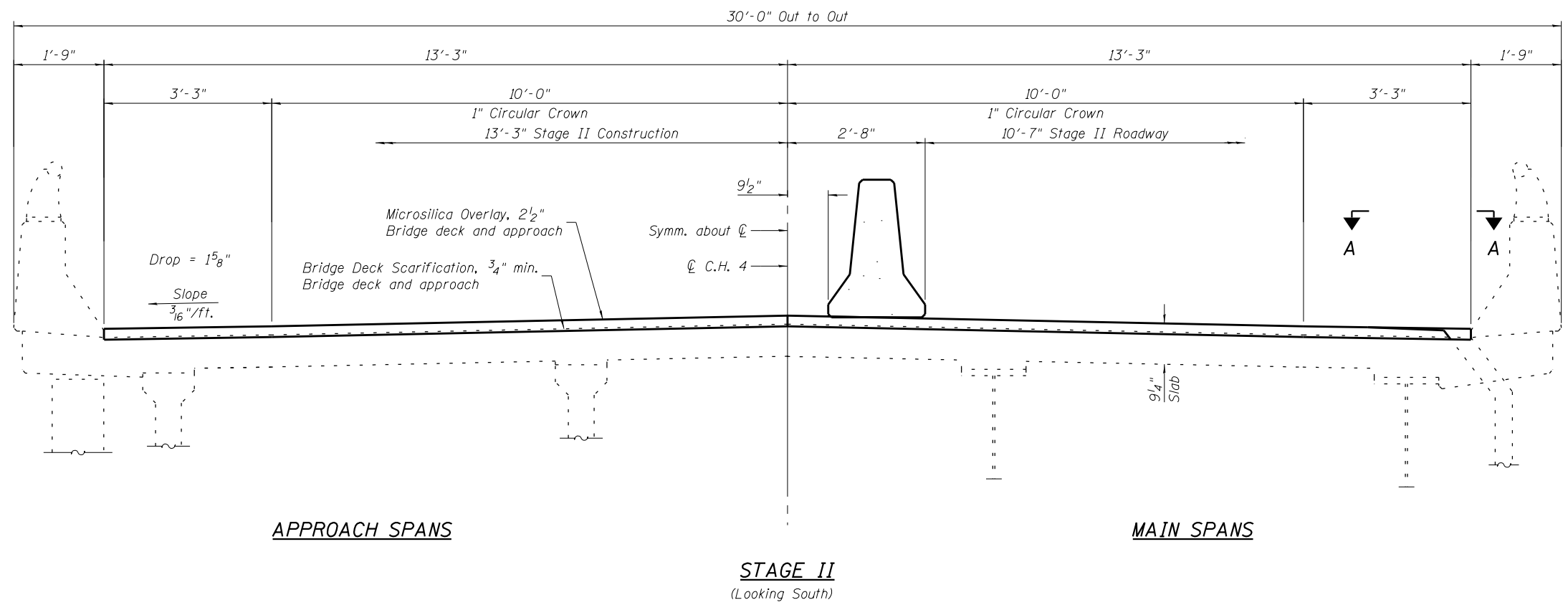
PRINT DATE: 6/11/2014 2:29:36 PM Y:\2014\I-64 Bridge Repair\DCN\Bridge\Final\Plotsheets\095-0036\0950036-00000-002-Cross Section.dgn



APPROACH SPANS

MAIN SPANS

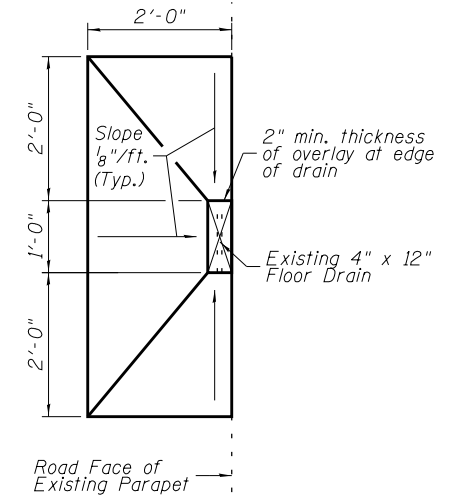
STAGE I
(Looking South)



APPROACH SPANS

MAIN SPANS

STAGE II
(Looking South)



SECTION A-A
Typical overlay treatment for in-use floor drains.

BILL OF MATERIAL

ITEM	UNIT	TOTAL
Bridge Deck Grooving	Sq. Yd.	690
Bridge Deck Scarification, 3/4"	Sq. Yd.	746
Bridge Deck Microsilica Concrete Overlay, 2 1/2"	Sq. Yd.	746

EFK•Moen, LLC
Civil Engineering Design
303 Fountains Parkway, Suite 240
Fairview Heights, IL 62208
Phone 618-206-4250

USER NAME = cdl	DESIGNED - CDL	REVISED -
PLOT SCALE = 0.2" = 1' - 0"	CHECKED - CTW	REVISED -
PLOT DATE = 6/11/2014	DRAWN - JA	REVISED -
	DATE - 6/11/2014	REVISED -

STATE OF ILLINOIS
DEPARTMENT OF TRANSPORTATION

CROSS SECTION
STRUCTURE NO. 095-0036
SHEET NO. 2 OF 5 SHEETS

F.A.I. RTE.	SECTION	COUNTY	TOTAL SHEETS	SHEET NO.
64	95-1,21RS-1	WASHINGTON	126	93
CONTRACT NO. 76D20				
ILLINOIS FED. AID PROJECT				