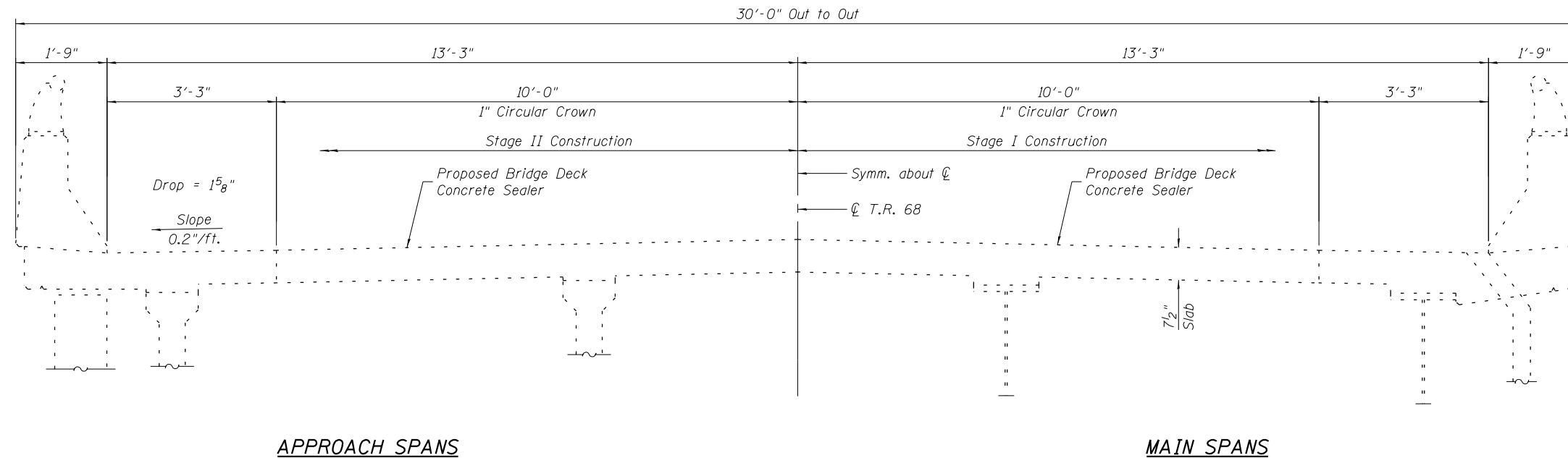
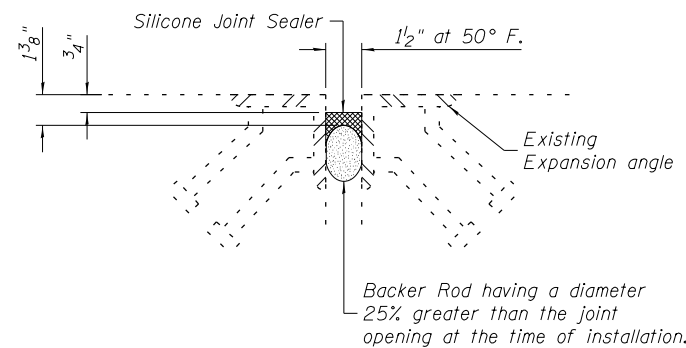


PRINT DATE: 6/11/2014 2:30:32 PM Y:\2014\1-64 Bridge Repair\DCN\Bridge\Final\Plotsheets\095-0045\0950045-00000-002-Cross Section.dgn



CROSS SECTION
(Looking South)



SILICONE JOINT SEALER DETAIL

BILL OF MATERIAL

Item	Unit	Total
Silicone Joint Sealer, 1.5"	Foot	73

EFK•Moen, LLC
Civil Engineering Design
303 Fountains Parkway, Suite 240
Fairview Heights, IL 62208
Phone 618-206-4250

USER NAME = cdl	DESIGNED - CDL	REVISED -
PLOT SCALE = 0:2' = 1" = 1/8"	CHECKED - CTW	REVISED -
PLOT DATE = 6/11/2014	DRAWN - JA	REVISED -
	DATE - 6/11/2014	REVISED -

STATE OF ILLINOIS
DEPARTMENT OF TRANSPORTATION

CROSS SECTION
STRUCTURE NO. 095-0045

SHEET NO. 2 OF 3 SHEETS

F.A.I. RTE.	SECTION	COUNTY	TOTAL SHEETS	SHEET NO.
64	95-1,21RS-1	WASHINGTON	126	117
			CONTRACT NO. 76D20	
ILLINOIS FED. AID PROJECT				