

STATE OF ILLINOIS
DEPARTMENT OF TRANSPORTATION

F.A.P. RTE.	SECTION	COUNTY	TOTAL SHEETS	SHEET NO
312/861A	(119, 119-1, 121, 122)PP-1	RANDOLPH	14	1
		ILLINOIS	CONTRACT NO. 76P81	

D-98-025-22



LOCATION OF SECTION INDICATED THUS: - [shaded area] -

FOR INDEX OF SHEETS, SEE SHEET NO. 2

TRAFFIC DATA	
LOCATION	IL 3
2021 ADT	3950 (ACTUAL)
2022 ADT	4000 (ESTIMATED)
2042 ADT	5100 (ESTIMATED)
SU% = 6.3%	MU = 13.9%

TRAFFIC DATA	
LOCATION	IL 150
2021 ADT	7500 (ACTUAL)
2022 ADT	7700 (ESTIMATED)
2042 ADT	9900 (ESTIMATED)
SU% = 2.3%	MU = 21.3%

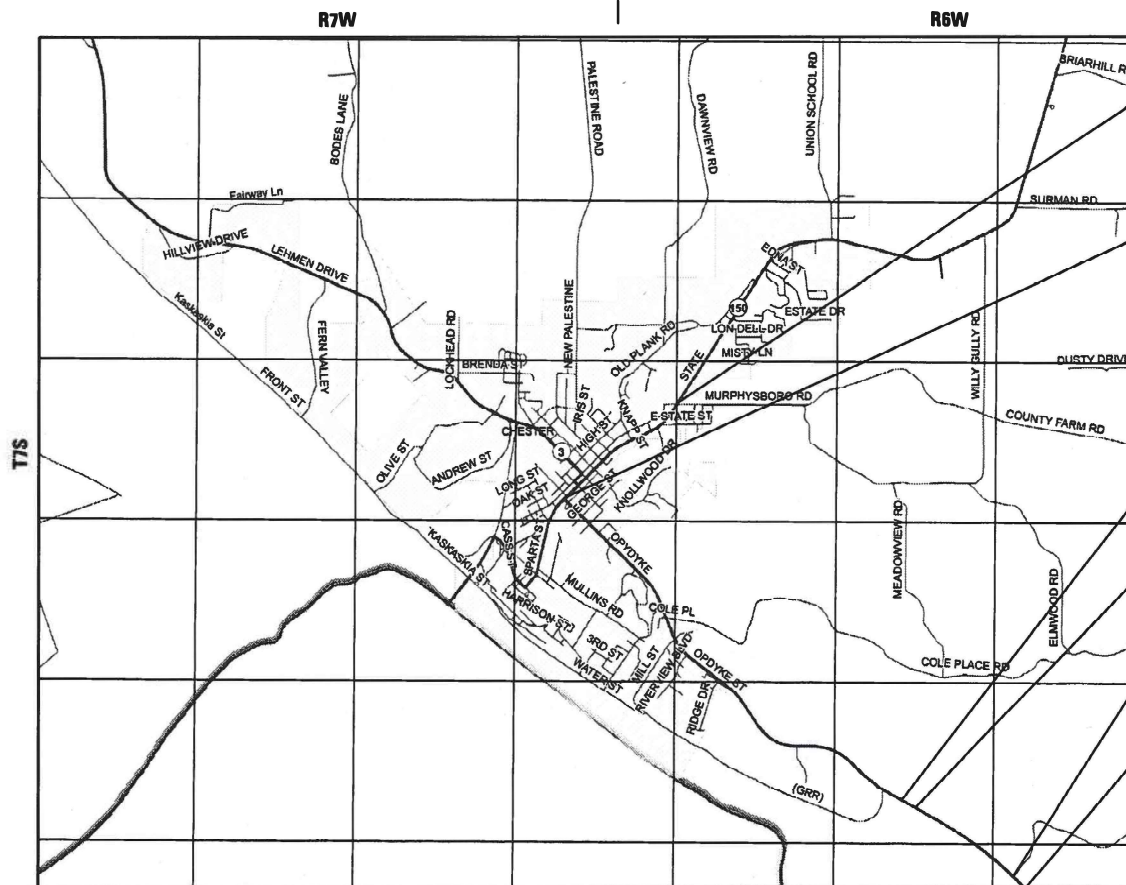
FUNCTIONAL CLASSIFICATION: OTHER PRINCIPAL ARTERIAL

PROPOSED HIGHWAY PLANS

FAP ROUTE 312/FAP 861A (IL 3/L 150)
SECTION (119, 119-1, 121, 122)PP-1

PATCHING - CM
RANDOLPH COUNTY

C-98-054-22



END PROJECT
M.S. 0.94 IL 150
LAT: 37.292790° N
LONG: 89.810311° W

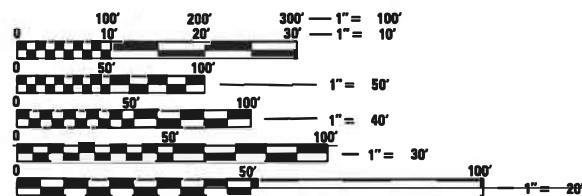
BEGIN PROJECT
M.S. 0.00
IL 3/L 150
LAT: 37.912104° N
LONG: 89.823424° W

RAILROAD OMISSION:
DOT/AAR 430973M, 50 FT

BRIDGE OMISSION:
S.N. 079-0011, 363.3 FT

BRIDGE OMISSION:
S.N., 079-2424, 24 FT

END PROJECT
M.S. 4.86
(1 MI S. OF PLEASANT RIDGE RD.)
LAT: 37.867661° N
LONG: 89.757486° W



FULL SIZE PLANS HAVE BEEN PREPARED USING STANDARD ENGINEERING SCALES. REDUCED SIZED PLANS WILL NOT CONFORM TO STANDARD SCALES. IN MAKING MEASUREMENTS ON REDUCED PLANS, THE ABOVE SCALES MAY BE USED.

J.U.L.I.E.
JOINT UTILITY LOCATION INFORMATION FOR EXCAVATORS
1-800-892-0123
OR 811

PROJECT ENGINEER: TIFFANY BRASE (618) 346-3175
PROJECT MANAGER: MARK GOERGER (618) 346-3148

CONTRACT NO. 76P81



GROSS LENGTH = 30,235.20 FT. = 5.84 MILE
NET LENGTH = 29,797.90 FT. = 5.64 MILE

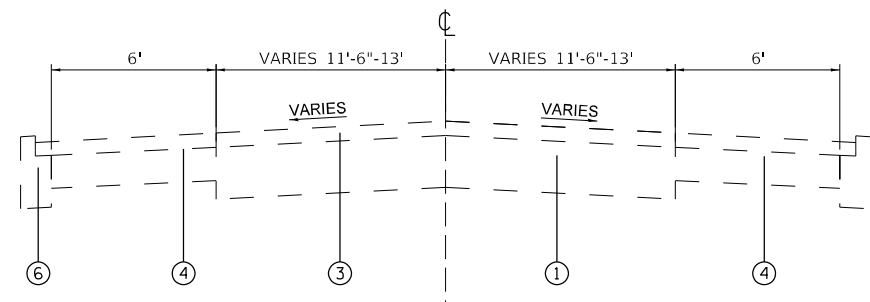
STATE OF ILLINOIS
DEPARTMENT OF TRANSPORTATION

SUBMITTED June 29, 2021
Keith Blount
REGIONAL ENGINEER

August 13, 2021
Scott A. Clark
ENGINEER OF DESIGN AND ENVIRONMENT

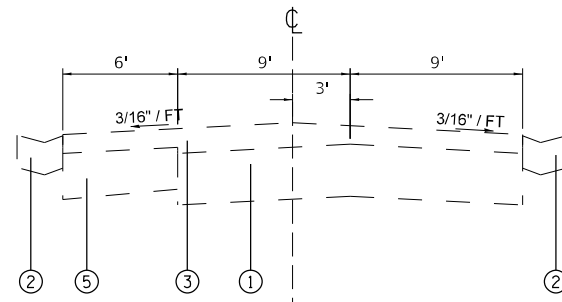
August 13, 2021
James J. Guerin
DIRECTOR OF HIGHWAYS PROJECT IMPLEMENTATION

PRINTED BY THE AUTHORITY
OF THE STATE OF ILLINOIS



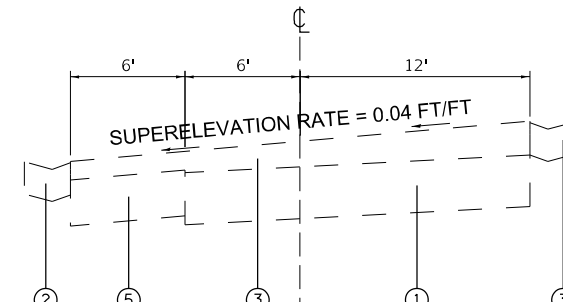
IL 3/TYPICAL SECTION

M.S. 0.00 TO M.S. 0.30



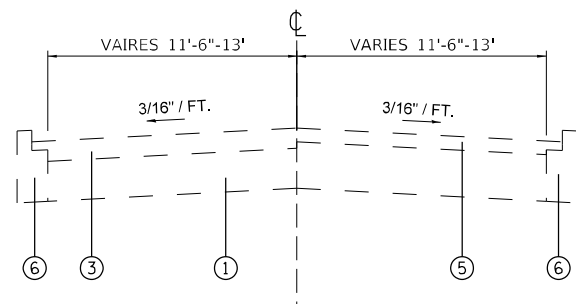
IL 3 TANGENT SECTION

M.S. 0.68 (CROSBY ST.) TO M.S. 0.74



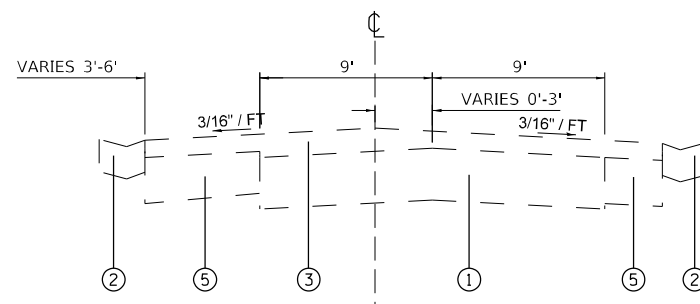
IL 3 SUPERELEVATION SECTION

M.S. 1.00 TO M.S. 1.12



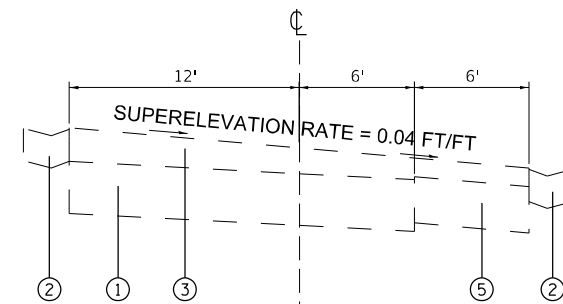
IL 3 TANGENT SECTION

M.S. 0.30 TO M.S. 0.60
(IL 150 TO FREDERICK ST.)



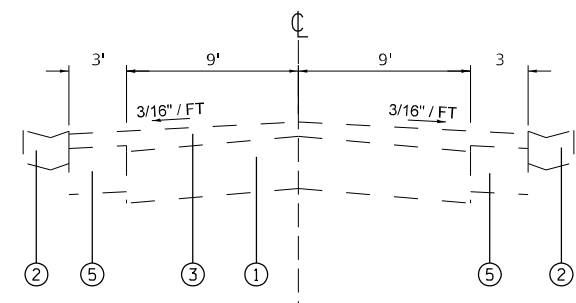
IL 3 TANGENT SECTION

M.S. 0.74 TO M.S. 0.79



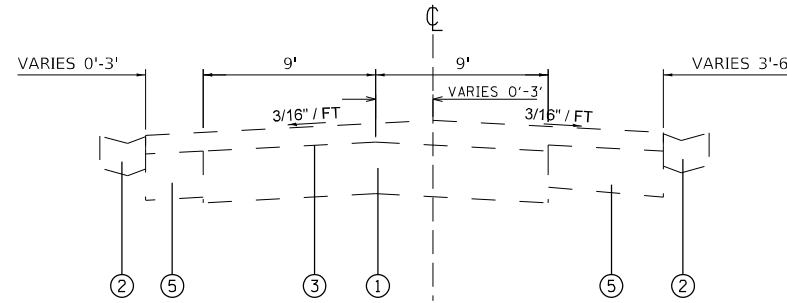
IL 3 SUPERELEVATION SECTION

M.S. 1.32 TO M.S. 1.37



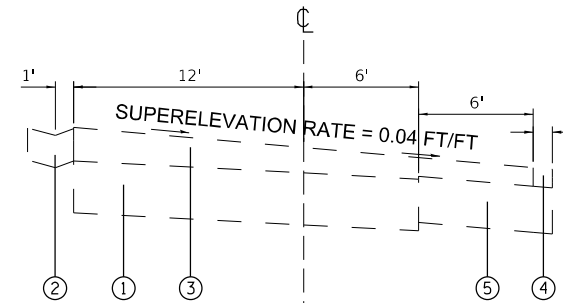
IL 3 TANGENT SECTION

M.S. 0.60 TO M.S. 0.68
(FREDERICK ST. TO CROSBY ST.)



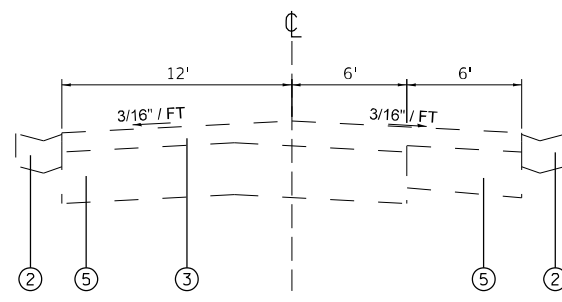
IL 3 TANGENT SECTION

M.S. 0.79 TO M.S. 0.93



IL 3 SUPERELEVATION SECTION

M.S. 1.37 TO M.S. 1.51



IL 3 TANGENT SECTION

M.S. 0.83 TO M.S. 1.00
M.S. 1.12 TO M.S. 1.32

LEGEND

- ① EXISTING PCC PAVEMENT
- ② EXISTING CONCRETE GUTTER, TYPE B
- ③ EXISTING HOT-MIX ASPHALT SURFACE, VARIABLE DEPTH
- ④ EXISTING HOT-MIX ASPHALT SHOULDER
- ⑤ EXISTING PCC BASE COURSE WIDENING
- ⑥ EXISTING CURB
- ⑦ EXISTING AGGREGATE SHOULDER

MODEL: Default
 FILE NAME: p:\data\mason.dwg
 PROJECT: P:\DOT\Documents\DOT - Office\District 8\Projects\0876983\ICAD\data\CAD\Process\0876983\cpl-tyical.dwg

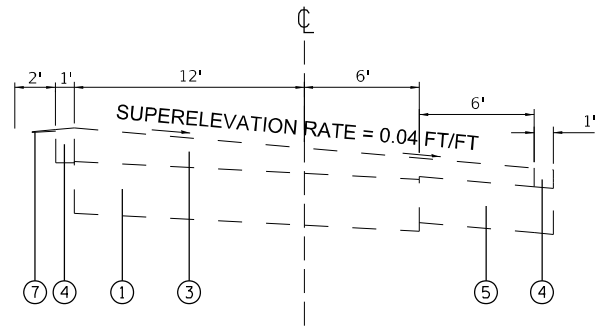
USER NAME = Leemonve	DESIGNED -	REVISED -
	DRAWN -	REVISED -
PLOT SCALE = 100,0000' / in.	CHECKED -	REVISED -
PLOT DATE = 6/29/2021	DATE -	REVISED -

**STATE OF ILLINOIS
DEPARTMENT OF TRANSPORTATION**

**FAP 312 (IL ROUTE 3)
TYPICAL SECTIONS**

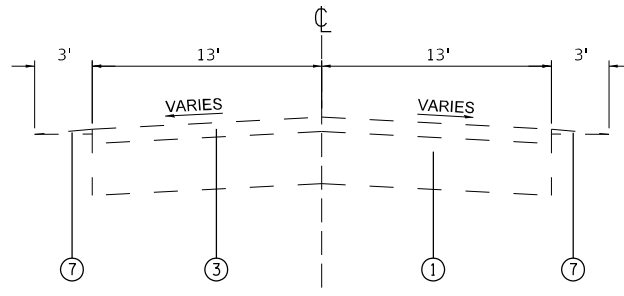
SCALE: NTS SHEET 1 OF 2 SHEETS STA. TO STA.

F.A.P. RTE.	SECTION	COUNTY	TOTAL SHEETS	SHEET NO.
312/861A	(119, 119-1, 121, 122)PP-1	RANDOLPH	14	4
ILLINOIS FED. AID PROJECT			CONTRACT NO. 76P81	



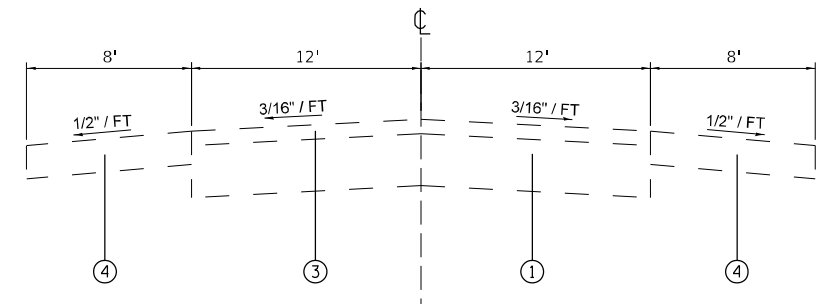
IL 3 SUPERELEVATION SECTION

M.S. 1.51 TO M.S. 1.60 (RIVERVIEW DR.)



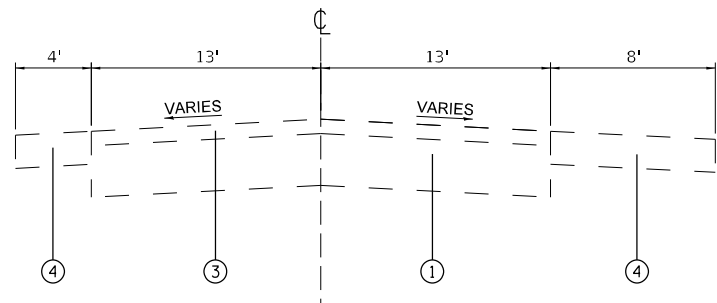
IL 3 TYPICAL SECTION

M.S. 1.81 TO M.S. 1.86
M.S. 2.05 TO M.S. 2.23
M.S. 2.30 TO M.S. 2.37
M.S. 2.45 TO M.S. 2.61



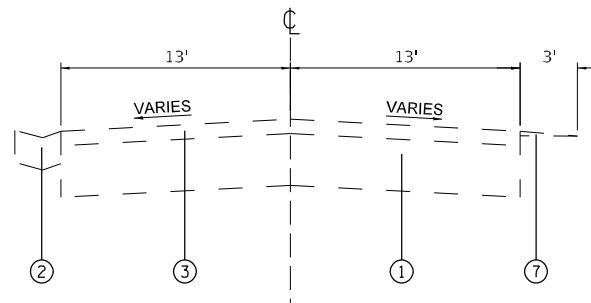
IL 3 TYPICAL SECTION

BRIDGE OMISSION: M.S. 3.13 TO M.S. 3.20
M.S. 3.20 TO M.S. 4.86



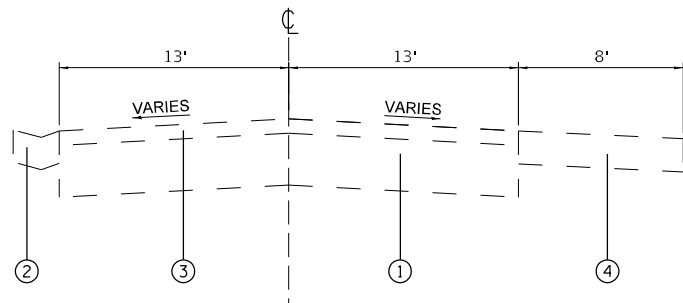
IL 3 TYPICAL SECTION

M.S. 1.60 (RIVERVIEW DR.) TO M.S. 1.70



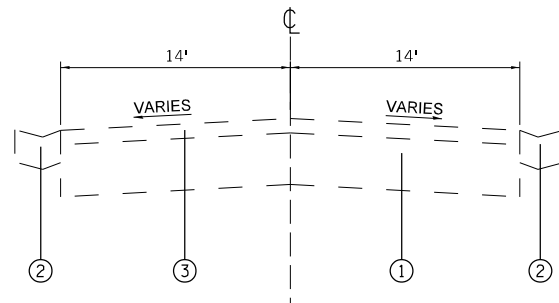
IL 3 TYPICAL SECTION

M.S. 2.37 TO M.S. 2.45



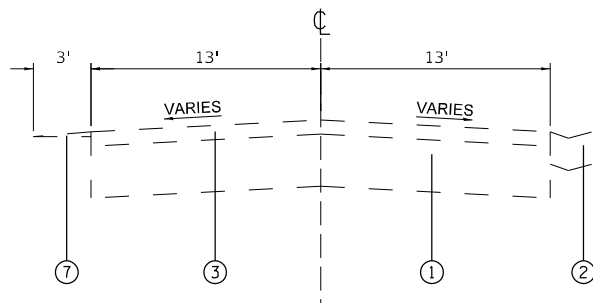
IL 3 TYPICAL SECTION

M.S. 1.70 TO M.S. 1.73



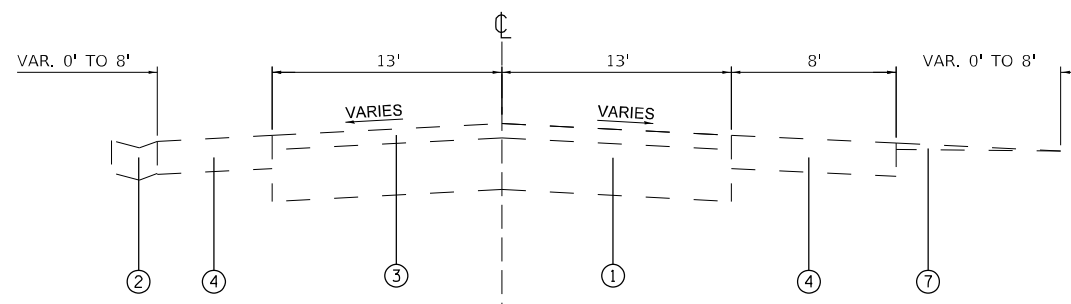
IL 3 TYPICAL SECTION

M.S. 2.61 TO M.S. 3.03



IL 3 TYPICAL SECTION

M.S. 1.73 TO M.S. 1.81
M.S. 1.86 TO M.S. 2.05
M.S. 2.23 TO M.S. 2.30



IL 3 TYPICAL SECTION

M.S. 3.03 TO M.S. 3.13

LEGEND

- ① EXISTING PCC PAVEMENT
- ② EXISTING CONCRETE GUTTER, TYPE B
- ③ EXISTING HOT-MIX ASPHALT SURFACE, VARIABLE DEPTH
- ④ EXISTING HOT-MIX ASPHALT SHOULDER
- ⑤ EXISTING PCC BASE COURSE WIDENING
- ⑥ EXISTING CURB
- ⑦ EXISTING AGGREGATE SHOULDER

MODEL: Default
 FILE NAME: p:\mhammond.dwt\illinois\pwr\WIDOT\Documents\IBDT - Office\Distric 8\Projects\0876981\CADD\DATA\CAD\Faces\0876981-1-11-11-typical.dgn

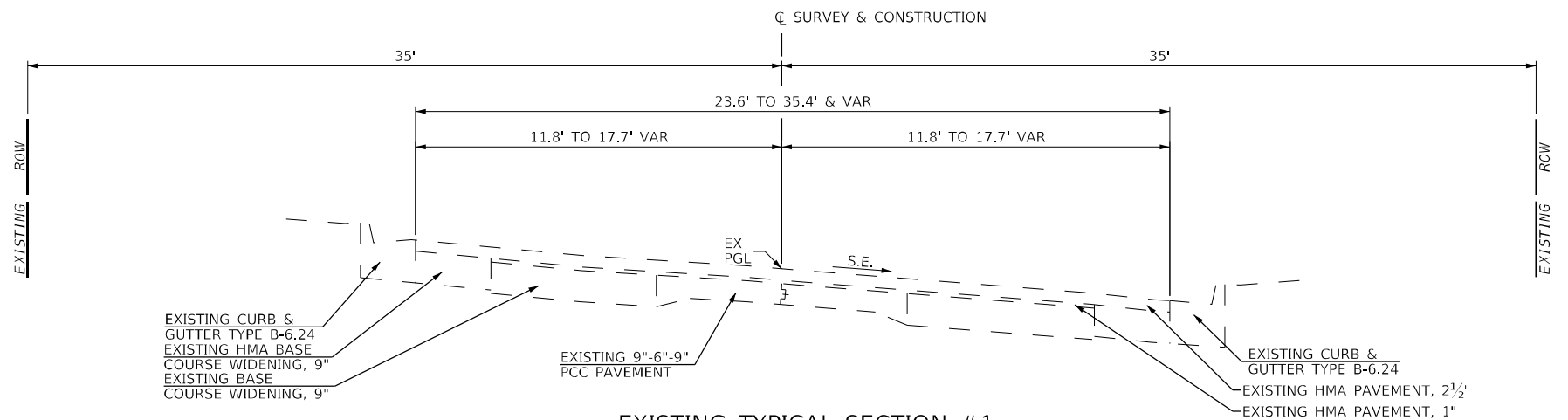
USER NAME = Leemonve	DESIGNED -	REVISED -
	DRAWN -	REVISED -
PLOT SCALE = 100,0000 ' / in.	CHECKED -	REVISED -
PLOT DATE = 6/29/2021	DATE -	REVISED -

**STATE OF ILLINOIS
DEPARTMENT OF TRANSPORTATION**

**FAP 312 (IL ROUTE 3)
TYPICAL SECTIONS**

SCALE: NTS SHEET 2 OF 2 SHEETS STA. TO STA.

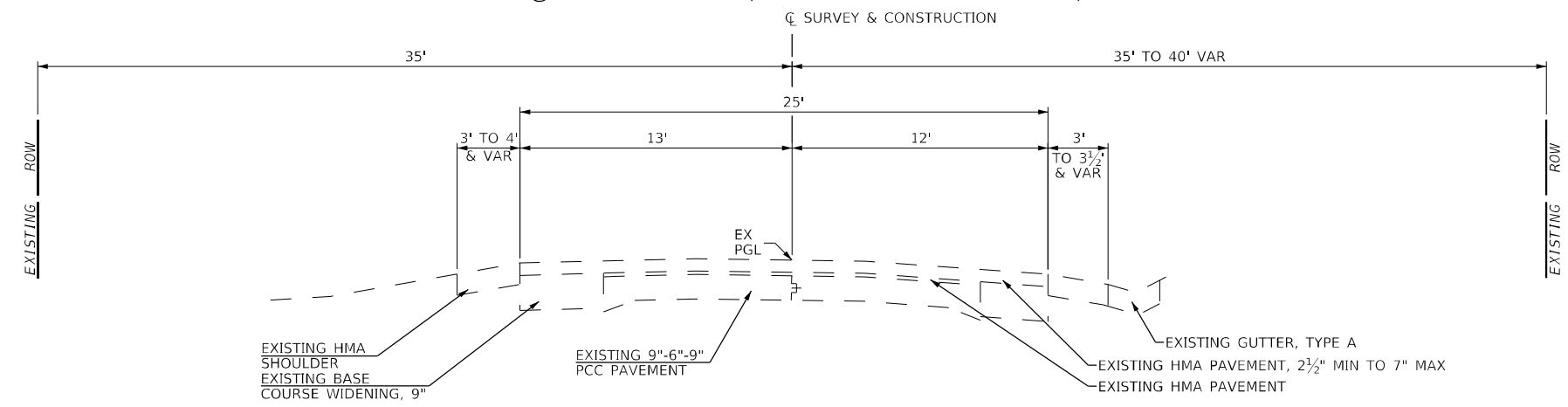
F.A.P. RTE.	SECTION	COUNTY	TOTAL SHEETS	SHEET NO.
312/861A	(119, 119-1, 121, 122)PP-1	RANDOLPH	14	5
CONTRACT NO. 76P81			ILLINOIS FED. AID PROJECT	



EXISTING TYPICAL SECTION #1
IL 150

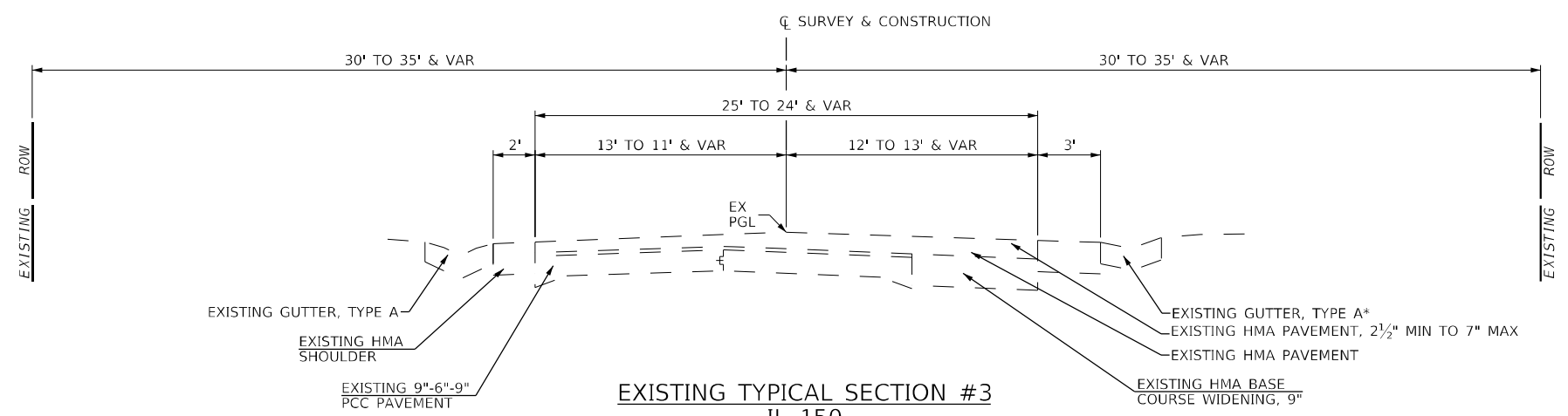
STA 529+76.34 TO STA 531+37.0 (TANGENT @ NORMAL CROWN)
STA 531+37.0 TO STA 538+78.2 (SUPERELEVATED @ 4.0%)

IL 150 @ MURPHYSBORO(M.S. 0.94=STA 529+73.75)



EXISTING TYPICAL SECTION #2
IL 150

STA 538+78.2 TO STA 548+16.4



EXISTING TYPICAL SECTION #3
IL 150

STA 548+16.4 TO STA 559+36.6

*GUTTER ENDS AT STA 553+26.2

MODEL: Default
 FILE NAME: p:\m\m\room.dwg
 PROJECT: 07681\CD\DATA\CAD\FRONT\07681-1-11-11.dwg
 PROJECT: 07681\CD\DATA\CAD\FRONT\07681-1-11-11.dwg

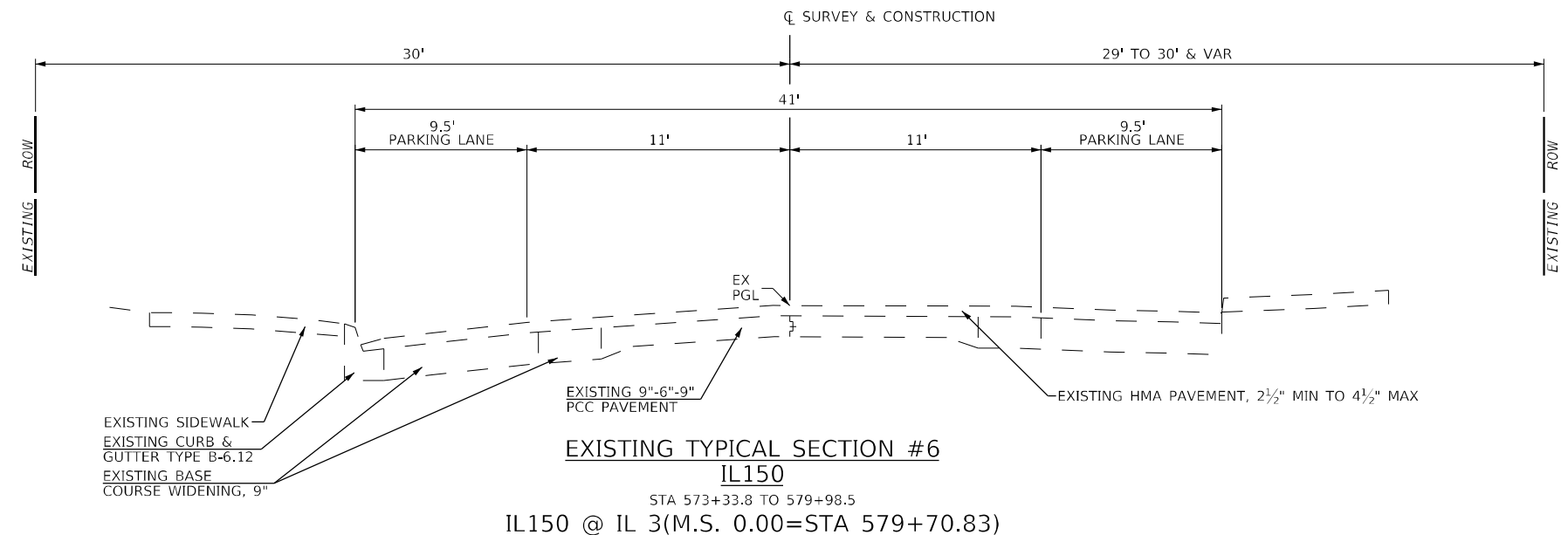
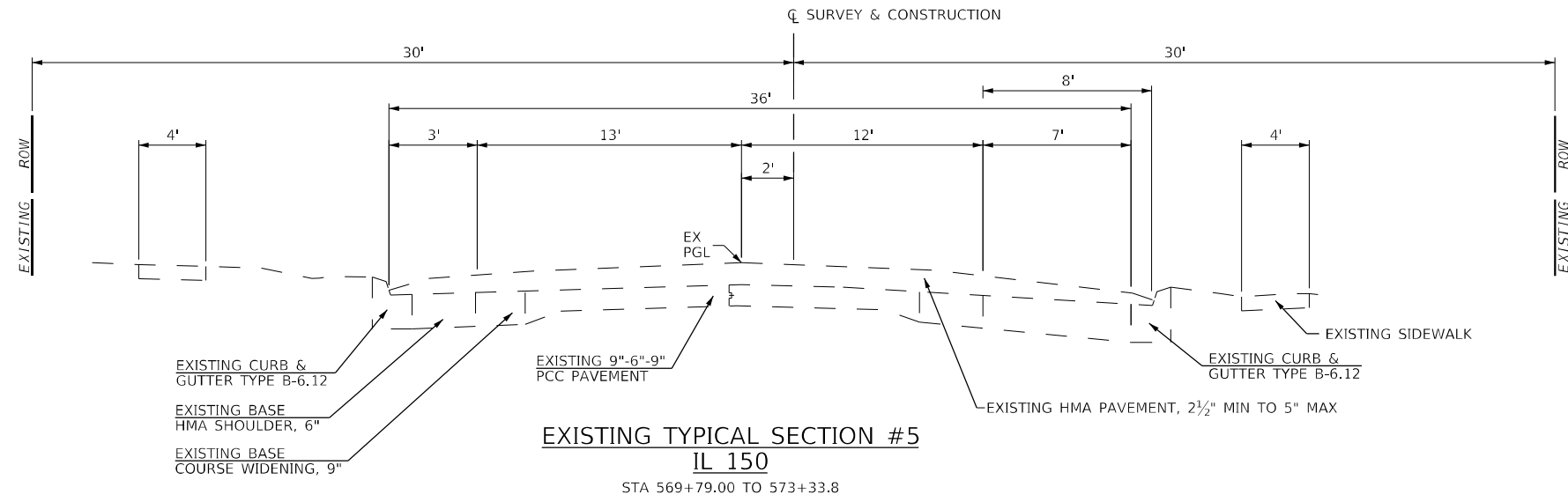
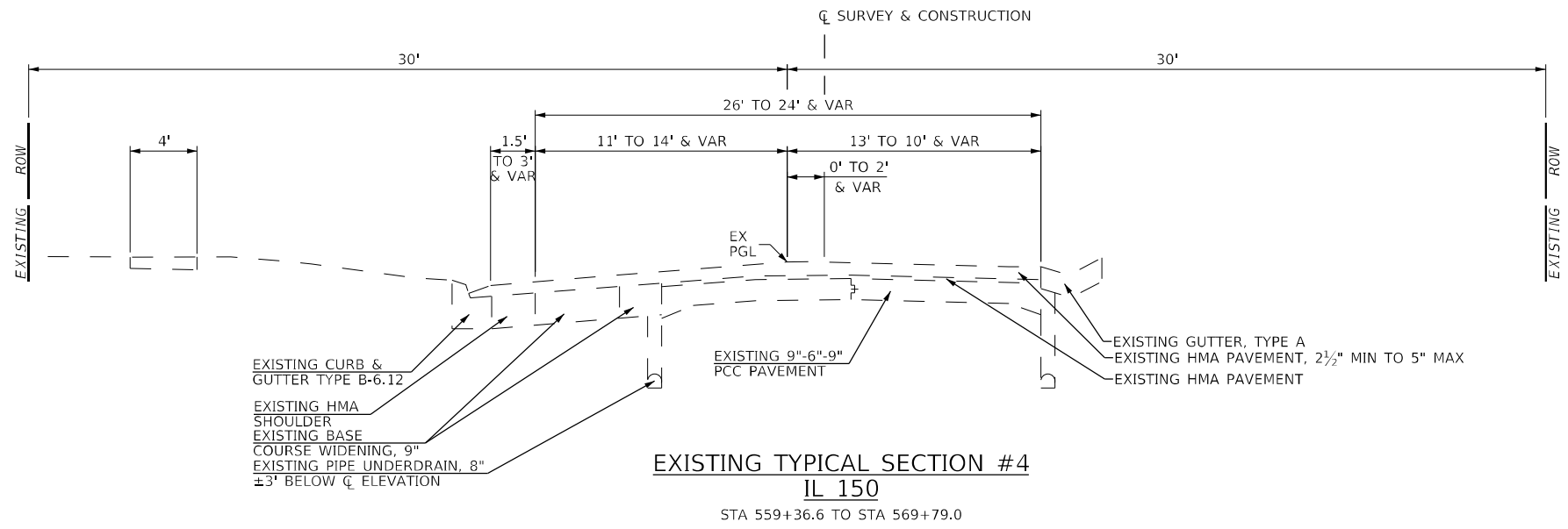
USER NAME = Leemorve	DESIGNED - AWM	REVISED -
	DRAWN - CMB	REVISED -
PLOT SCALE = 100,0000' / in.	CHECKED - AWM	REVISED -
PLOT DATE = 6/29/2021	DATE - 2/2021	REVISED -

STATE OF ILLINOIS
DEPARTMENT OF TRANSPORTATION

FAP 861A (IL ROUTE 150)
TYPICAL SECTIONS

F.A.P. RTE.	SECTION	COUNTY	TOTAL SHEETS	SHEET NO.
3127-861A	(119, 119-1, 121, 122)PP-1	RANDOLPH	14	6
CONTRACT NO. 76P81				
ILLINOIS FED. AID PROJECT				

SCALE: N/A SHEET 1 OF 2 SHEETS



MODEL: Default
 FILE NAME: p:\mhammon.dwt\illinois\dot\Documents\DOT_Offices\District 8\Projects\0876881\CADD\DATA\CAD\Process\0876881-rlt-typical.dgn

USER NAME = Leemonve	DESIGNED - AWM	REVISED -
DRAWN - CMB	REVISED -	
PLOT SCALE = 100,0000' / in.	CHECKED - AWM	REVISED -
PLOT DATE = 6/29/2021	DATE - 2/2021	REVISED -

STATE OF ILLINOIS
DEPARTMENT OF TRANSPORTATION

FAP 861A (IL ROUTE 150)
EXISTING TYPICAL SECTIONS

SCALE: N/A SHEET 2 OF 2 SHEETS

F.A.P. RTE.	SECTION	COUNTY	TOTAL SHEETS	SHEET NO.
3127-861A	(119, 119-1, 121, 122)PP-1	RANDOLPH	14	7
CONTRACT NO. 76P81				
ILLINOIS FED. AID PROJECT				

CLASS B PATCHING 12" (SPECIAL) SCHEDULE - IL 3 (URBAN)

MILE STATION	SB/NB	LENGTH	WIDTH	AREA	EARTH EXCAVATION	GEOTECHNICAL FABRIC	SUBBASE GRANULAR MATERIAL, TYPE B 6"	WELDED WIRE REINFORCEMENT	DOWEL BARS 1 1/2"	SAW CUTS	TIE BARS 3/4"	CLASS B PATCHES, TYPE II	CLASS B PATCHES, TYPE III	CLASS B PATCHES, TYPE IV
		FEET	FEET	SQ YD	CU YD	SQ YD	SQ YD	SQ YD	EACH	FOOT	EACH	SQ YD	SQ YD	SQ YD
0.2	SB	12	12	16	3	16	16	16	20	60			16	
0.2	SB	38	12	51	9	51	51	51	20	112	13			51
0.3	SB	15	12	20	4	20	20	20	20	66			20	
0.4	SB	15	12	20	4	20	20	20	20	66			20	
0.4	SB	25	12	34	6	34	34	34	20	86	9			34
0.4	SB	6	12	8	2	8	8	8	20	48		8		
0.5	SB	35	12	47	8	47	47	47	20	106	12			47
0.5	SB	15	12	20	4	20	20	20	20	66			20	
0.5	SB	6	12	8	2	8	8	8	20	48		8		
0.8	SB	8	12	11	2	11	11	11	20	52			11	
0.8	SB	10	12	14	3	14	14	14	20	56			14	
1.1	SB	6	12	8	2	8	8	8	20	48			8	
1.2	SB	6	12	8	2	8	8	8	20	48			8	
1.3	SB	80	12	107	18	107	107	107	20	196	27			107
1.3	SB	8	12	11	2	11	11	11	20	52		11		
1.3	SB	20	12	27	5	27	27	27	20	76	7			27
1.3	SB	6	12	8	2	8	8	8	20	48		8		
1.4	SB	10	12	14	3	14	14	14	20	56			14	
1.5	SB	50	12	67	12	67	67	67	20	136	17			67
1.5	SB	70	12	94	16	94	94	94	20	176	24			94
1.6	SB	25	12	34	6	34	34	34	20	86	9			34
1.6	SB	30	12	40	7	40	40	40	20	96	10			40
1.6	SB	12	12	16	3	16	16	16	20	60			16	
1.6	SB	40	12	54	9	54	54	54	20	116	14			54
1.6	SB	10	12	14	3	14	14	14	20	56		14		
1.7	SB	25	12	34	6	34	34	34	20	86	9			34
1.7	SB	15	12	20	4	20	20	20	20	66			20	
1.8	SB	35	12	47	8	47	47	47	20	106	12			47
1.8	SB	20	12	27	5	27	27	27	20	76	7			27
1.8	SB	15	12	20	4	20	20	20	20	66			20	
1.8	SB	40	12	54	9	54	54	54	20	116	14			54
1.8	SB	6	12	8	2	8	8	8	20	48		8		
1.4	NB	6	12	8	2	8	8	8	20	48		8		
1.5	NB	6	12	8	2	8	8	8	20	48		8		
1.5	NB	8	12	11	2	11	11	11	20	52		11		
URBAN SUBTOTAL					181	988	988	988	700	2728	184	139	132	717
URBAN TOTAL					181	988	988	988	700	2728	184	139	132	717

MODEL: Default
 FILE NAME: p:\mhammond.dwg
 PROJECT: ILLINOIS DOT OFFICE DISTRICT 8 PROJECT 0876881\CADD\DATA\CADPROCESS\0876881-1-11-21-21-21.dwg

CLASS B PATCHING 12" (SPECIAL) SCHEDULE - TOTALS BOTH LOCATIONS URBAN/RURAL

LOCATION	EARTH EXCAVATION	GEOTECHNICAL FABRIC	SUBBASE GRANULAR MATERIAL, TYPE B 6"	WELDED WIRE REINFORCEMENT	DOWEL BARS 1 1/2"	SAW CUTS	TIE BARS 3/4"	CLASS B PATCHES, TYPE II	CLASS B PATCHES, TYPE Iii	CLASS B PATCHES, TYPE IV
	CU YD	SQ YD	SQ YD	SQ YD	EACH	FOOT	EACH	SQ YD	SQ YD	SQ YD
IL RTE 3 - URBAN	181	988	988	988	700	2728	184	139	132	717
IL RTE 3 - RURAL	202	1109	1109	1109	860	3190	202	205	116	788
IL RTE 150 - URBAN	69	383	383	383	300	1108	65	85	43	255
TOTAL URBAN	250	1371	1371	1371	1000	3836	249	224	175	972
TOTAL RURAL	202	1109	1109	1109	860	3190	202	205	116	788
TOTALS	452	2480	2480	2480	1860	7026	451	429	291	1760

NOTE: M.S. 0.0 = INTERSECTION OF IL 3 & IL 150

MODEL: Default
 FILE NAME: p:\u0000\m0000.dwg
 PROJECT: I:\Projects\DOT\Documents\DOT - Office\District 8\Projects\DOT\76P81\CAD\Drawings\DOT\76P81-1-11-2021.dwg

USER NAME = Leemonve	DESIGNED -	REVISED -
	DRAWN -	REVISED -
PLOT SCALE = 100,0000' / in.	CHECKED -	REVISED -
PLOT DATE = 6/29/2021	DATE -	REVISED -

**STATE OF ILLINOIS
DEPARTMENT OF TRANSPORTATION**

**IL 3 /IL 150 (URBAN/RURAL) TOTALS
SCHEDULE OF QUANTITIES**

SCALE: NTS SHEET 1 OF 1 SHEETS STA. TO STA.

F.A.P. RTE.	SECTION	COUNTY	TOTAL SHEETS	SHEET NO.
3127-861A	(119, 119-1, 121, 122)PP-1	RANDOLPH	14	11
CONTRACT NO. 76P81				
ILLINOIS		FED. AID PROJECT		

PAVEMENT MARKING SCHEDULE

LOCATION	LENGTH OF PATCHED AREA FEET	PAINT PAVEMENT MARKINGS - LINE 4"			RAISED REFLECTIVE PAVEMENT MARKER EACH
		YELLOW CENTER LINE FEET	YELLOW SKIP DASH FEET	WHITE EDGE LINE FEET	
IL RTE 3 - URBAN	734	734	192	734	10
SUB		734	192	734	0
TOTAL			1660		10
IL RTE 3 - RURAL	821	821	210	821	11
SUB		821	210	821	0
TOTAL			1852		11
IL RTE 150 - URBAN	284	284	74	284	4
SUB		284	74	284	0
TOTAL			642		4
TOTALS			4154		25

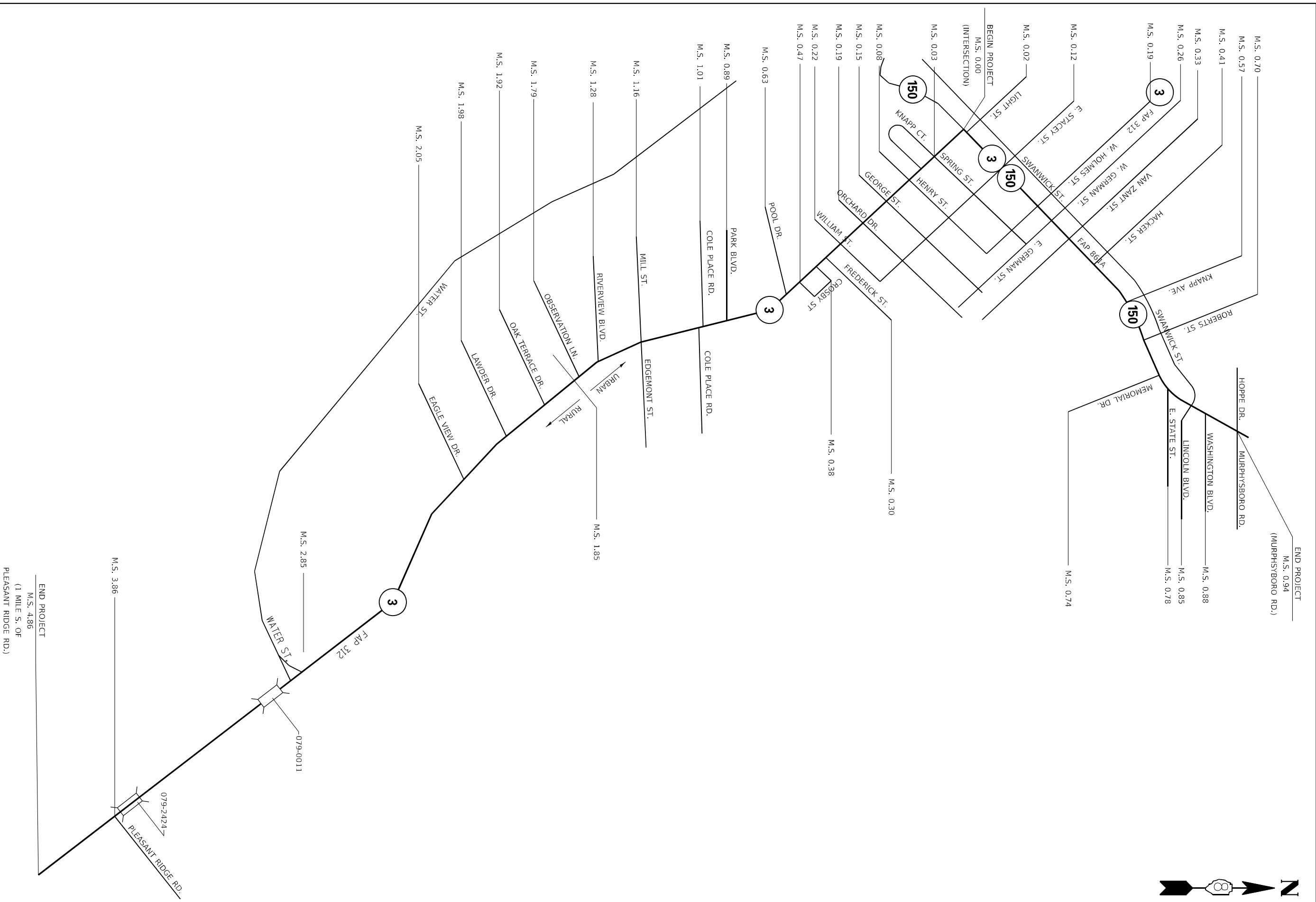
MODEL: Default
 FILE NAME: p:\mhammond.dwt\illinois.dwg
 PROJECT: D:\Projects\DOT\Documents\DOT_Offices\District 8\Projects\DOT\76P81\CAD\DATA\CAD\FRAMES\DOT76P81.rpt-quantity.tbl.dwg

USER NAME = Leemonve	DESIGNED -	REVISED -
PLOT SCALE = 100,0000' / in.	DRAWN -	REVISED -
PLOT DATE = 6/29/2021	CHECKED -	REVISED -
	DATE -	REVISED -

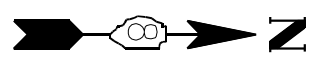
**STATE OF ILLINOIS
DEPARTMENT OF TRANSPORTATION**

PAVEMENT MARKING SCHEDULE OF QUANTITIES			
SCALE: NTS	SHEET 1	OF 1 SHEETS	STA. TO STA.

F.A.P. RTE.	SECTION	COUNTY	TOTAL SHEETS	SHEET NO.
3127-861A	(119, 119-1, 121, 122)PP-1	RANDOLPH	14	12
CONTRACT NO. 76P81				
ILLINOIS FED. AID PROJECT				



END PROJECT
 M.S. 4.86
 (1 MILE S. OF
 PLEASANT RIDGE RD.)



MODEL: Default
 FILE NAME: p:\pub\harrington.dwg
 PROJECT: C:\Users\leemorve\Documents\DOT - Office\Drawings\B\Projects\079-2424\CAD\Access\079-2424.dwg

USER NAME = Leemorve	DESIGNED -	REVISED -
	DRAWN -	REVISED -
PLOT SCALE = 100,0000' / in.	CHECKED -	REVISED -
PLOT DATE = 6/29/2021	DATE -	REVISED -

**STATE OF ILLINOIS
 DEPARTMENT OF TRANSPORTATION**

LOCATION MAP			
SCALE: NTS	SHEET 1	OF 1 SHEETS	STA. TO STA.

F.A.P. RTE. 312/861A	SECTION (119, 119-1, 121, 122)PP-1	COUNTY RANDOLPH	TOTAL SHEETS 14	SHEET NO. 14
ILLINOIS FED. AID PROJECT			CONTRACT NO. 76M32	