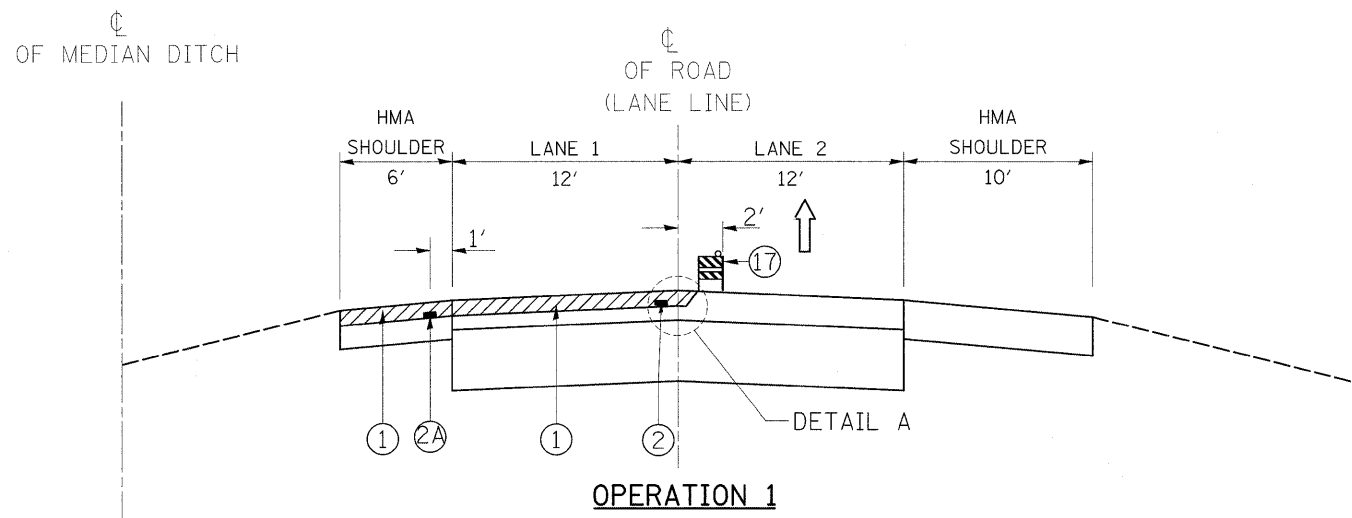


PRE-OPERATION 1

PATCHING WORK TO BE DONE BEFORE MILLING

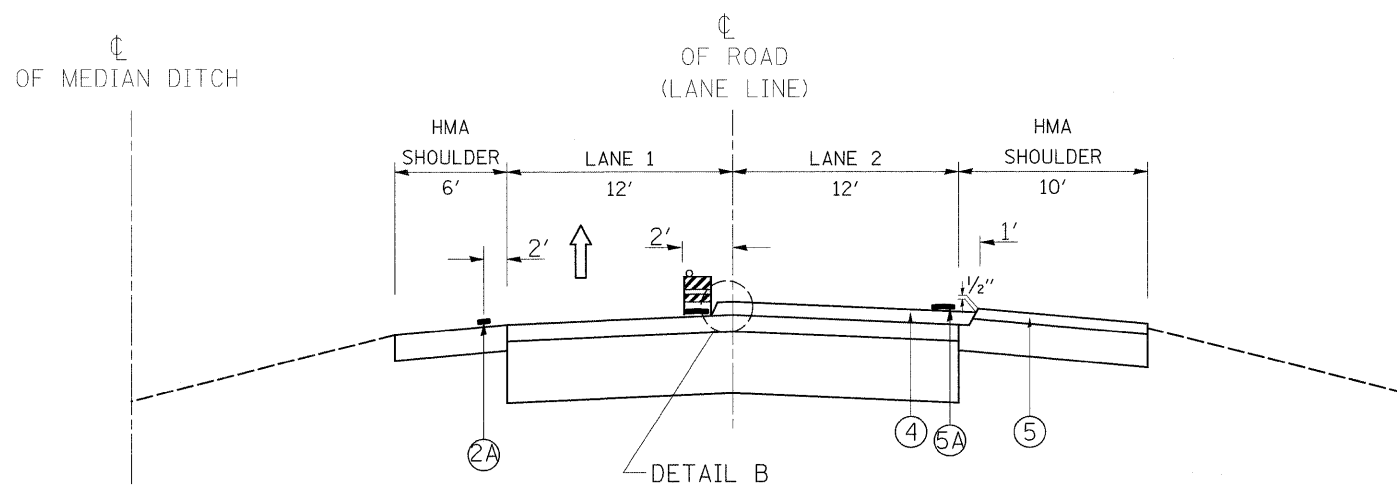
IL.-57 (SOUTH BOUND) & (NORTH BOUND)



OPERATION 1

- ① MILL 2" LANE 1 & MILL 2" INNER SHOULDER.
- ② EPOXY PAVEMENT MARKING, 5" WHITE LANE LINE (SKIP-DASH)
- ②A EPOXY PAVEMENT MARKING, 4" YELLOW (EDGE LINE)

IL.-57 (SOUTH BOUND) & (NORTH BOUND)

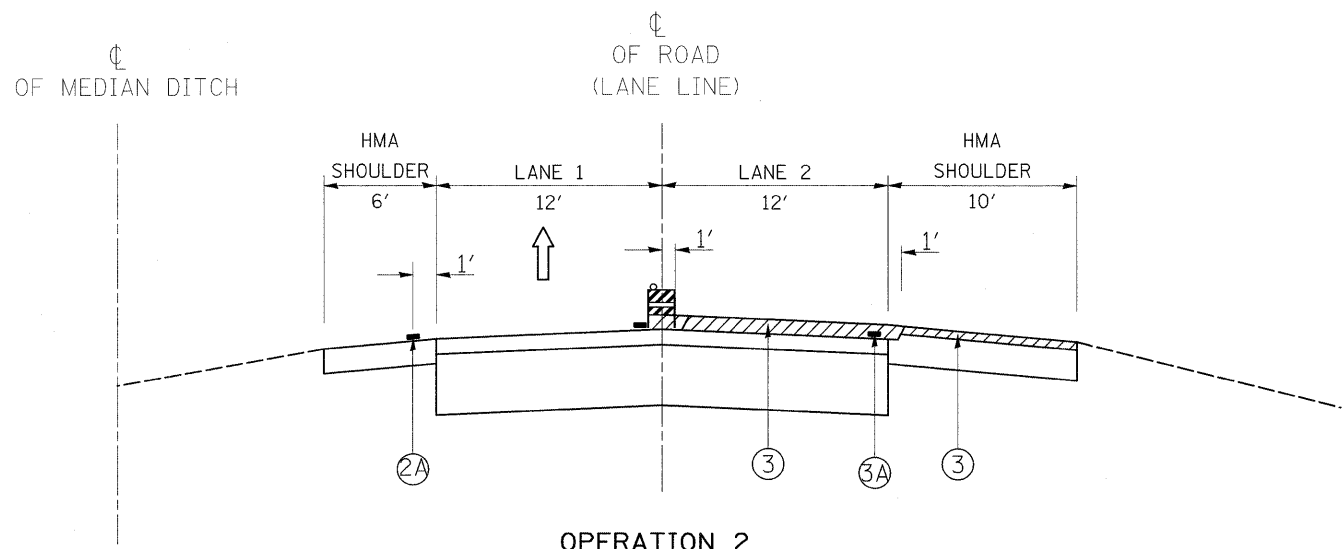


OPERATION 3

- ④ PLACE POLYMERIZED SMA BINDER COURSE 2" ON LANE 2
- * ⑤ PLACE HMA BINDER COURSE 2 1/4" ON OUTER SHOULDER
- ⑤A WET REFLECTIVE TEMPORARY TAPE, TYPE III, 4" (EDGE LINE)
- ⑤B WET REFLECTIVE TEMPORARY TAPE, TYPE III, 5" LANE LINE (SKIP-DASH)

* SEE NOTE #5 ON SHEET 10

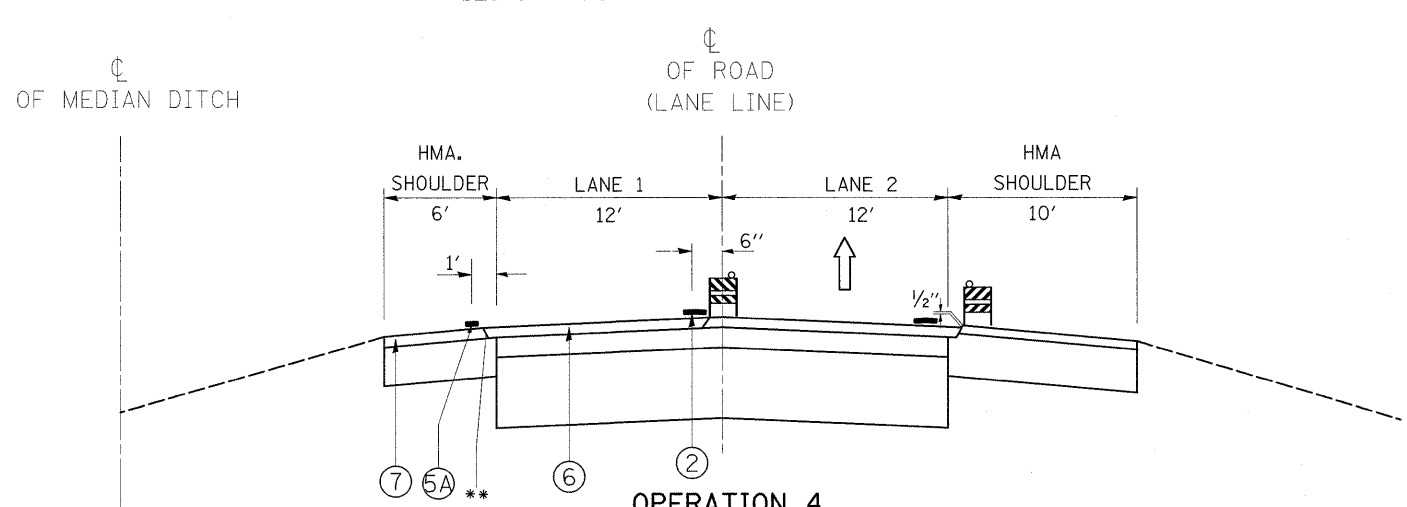
IL.-57 (SOUTH BOUND) & (NORTH BOUND)



OPERATION 2

- ③ MILL 2" LANE 2 & MILL 1 3/4" OUTER SHOULDER.
- ③A EPOXY PAVEMENT MARKING, 4" WHITE (EDGE LINE)

IL.-57 (SOUTH BOUND) & (NORTH BOUND)



OPERATION 4

- ⑥ PLACE POLYMERIZED SMA BINDER COURSE 2" ON LANE 1
- ⑦ PLACE POLYMERIZED SMA BINDER COURSE 2" ON INNER SHOULDER

** OPTIONAL JOINT

NOTE:

BARRICADES/DRUMS TO BE PLACED ON THE SHOULDER WITHIN 2' OF THE EDGE OF THE PAVEMENT DURING NON-WORKING HOURS

FILE NAME =	USER NAME = abebwa	DESIGNED -	REVISED -	STATE OF ILLINOIS DEPARTMENT OF TRANSPORTATION	IL. ROUTE 57 SUGGESTED SEQUENCE OF OPERATIONS		F.A.I. RTE. 57	SECTION 2009-064 RS	COUNTY COOK	TOTAL SHEETS 63	SHEET NO. 8	
ct:\pwork\pwork\DOT\ABEBAWA\0142330\017509-sht-plan.dgn		DRAWN -	REVISED -		SCALE:	SHEET NO. 1 OF 1 SHEETS	STA.	TO STA.	CONTRACT NO. 60H57			
		CHECKED -	REVISED -		ILLINOIS FED. AID PROJECT							
		DATE = 7/15/2009	REVISED -									