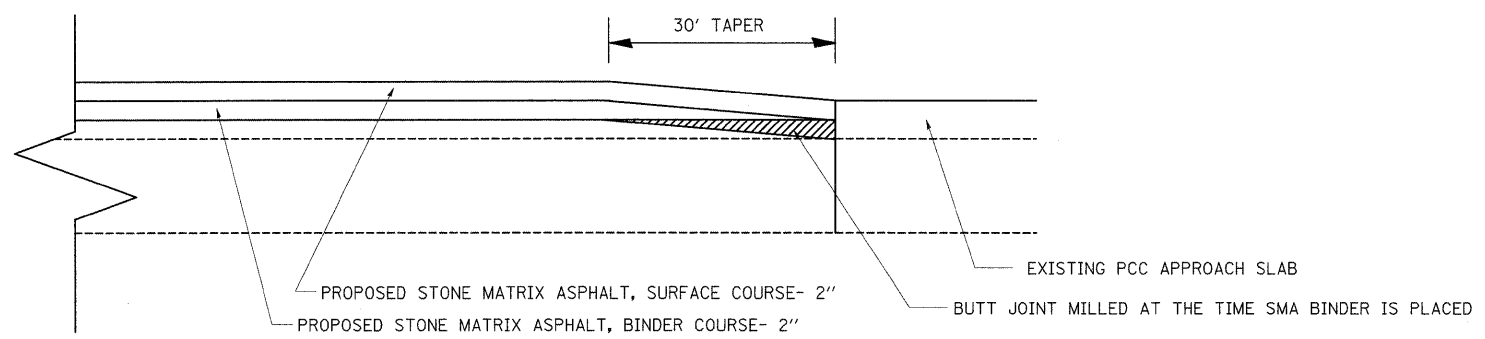
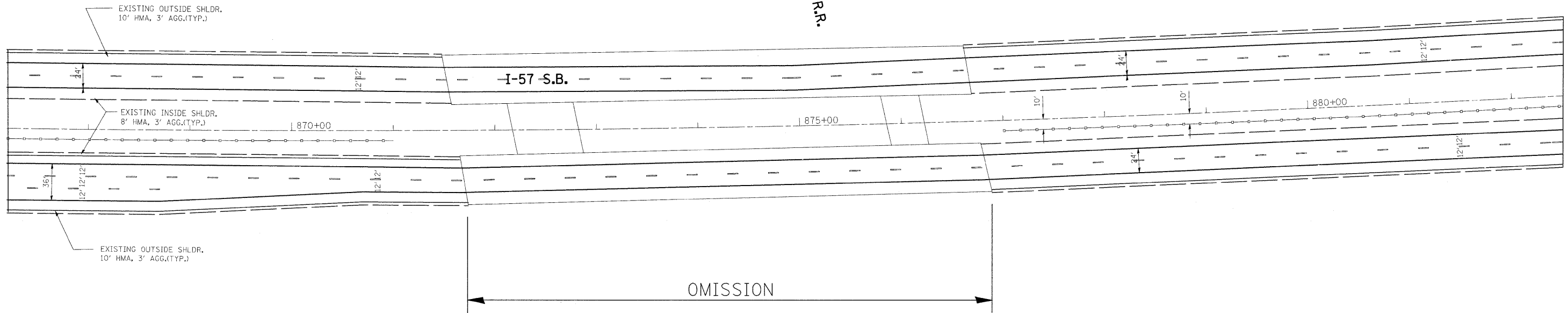


E.J. & E. R.R.



**NOTE:**

THIS WORK IS THE SAME ON BOTH ENDS OF THE PCC APPROACH SLABS. THE DETAIL ONLY SHOWS THE NORTH SIDE OF THE BRIDGE.

THE CONTRACTOR SHALL BE REQUIRED TO PROTECT THE EXISTING PCC APPROACH SLABS. ANY DAMAGE TO THE APPROACH SLABS IT WILL BE THE RESPONSABILITY OF THE CONTRACTOR TO FIX THE DAMAGE AND WILL NOT BE PAID SEPARATELY.

FILE NAME =	USER NAME = abebawa	DESIGNED -	REVISED -	<b>STATE OF ILLINOIS DEPARTMENT OF TRANSPORTATION</b>	<b>IL ROUTE 57 RESURFACING DETAILS AT PCC APPROACH SLABS</b>	F.A.I RTE.	SECTION	COUNTY	TOTAL SHEETS	SHEET NO.	
et:\pwk_work\XPWIDOT\ABEBAWA\0142330\DI75509-sht-plan.dgn		DRAWN -	REVISED -			57	2009-064 RS	COOK	63	42	
PLOT SCALE = 50.0000' / IN.		CHECKED -	REVISED -			SCALE:		SHEET NO. 1 OF 1 SHEETS		STA. TO STA.	
PLOT DATE = 6/29/2009		DATE -	REVISED -			ILLINOIS FED. AID PROJECT					