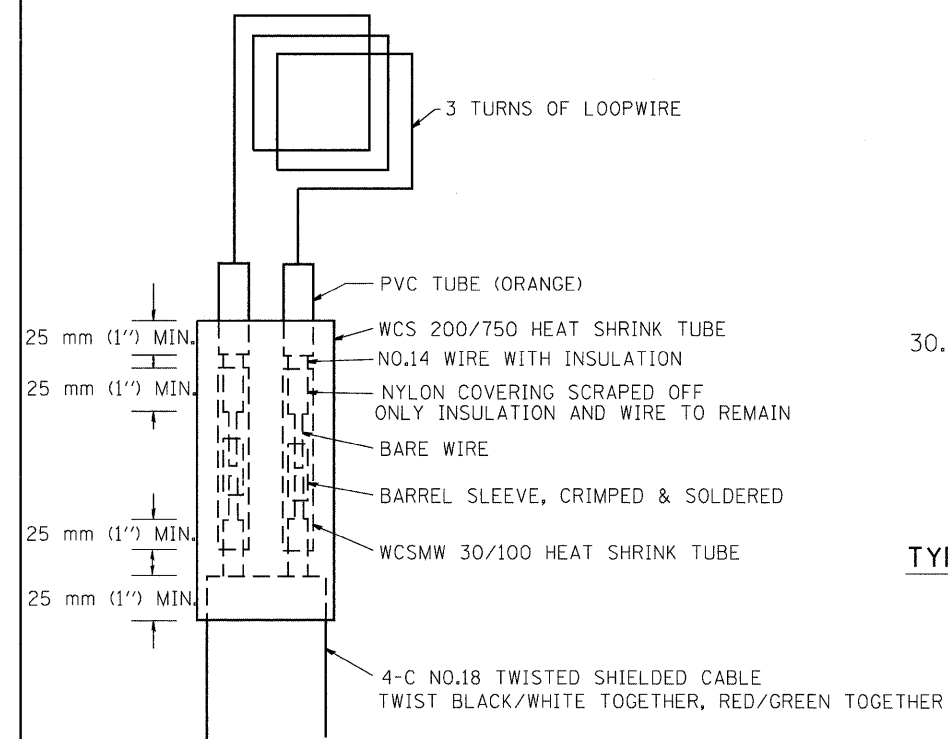


F.A.I. RTE.	SECTION	COUNTY	TOTAL SHEETS	SHEET NO.
S.T. 2001-0245	Cook		62	45
STA.	TO STA.			
FED. ROAD DIST. NO.	ILLINOIS FED. AID PROJECT			

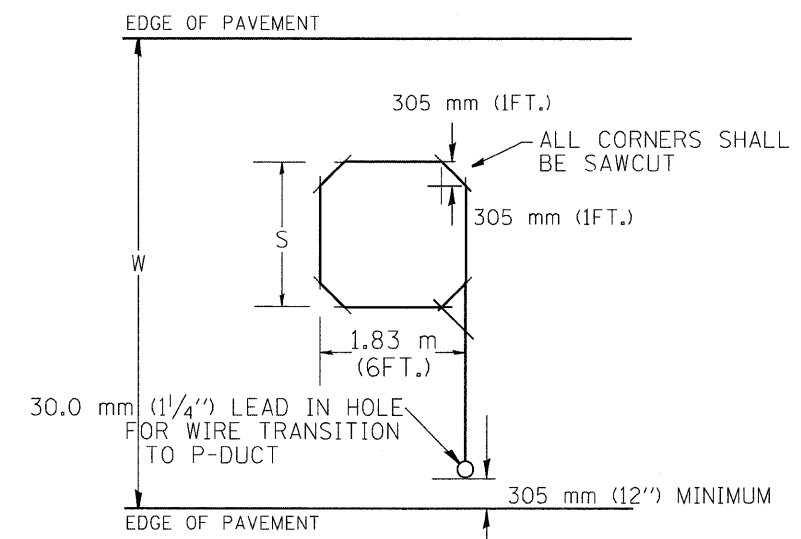
Cont. 60457



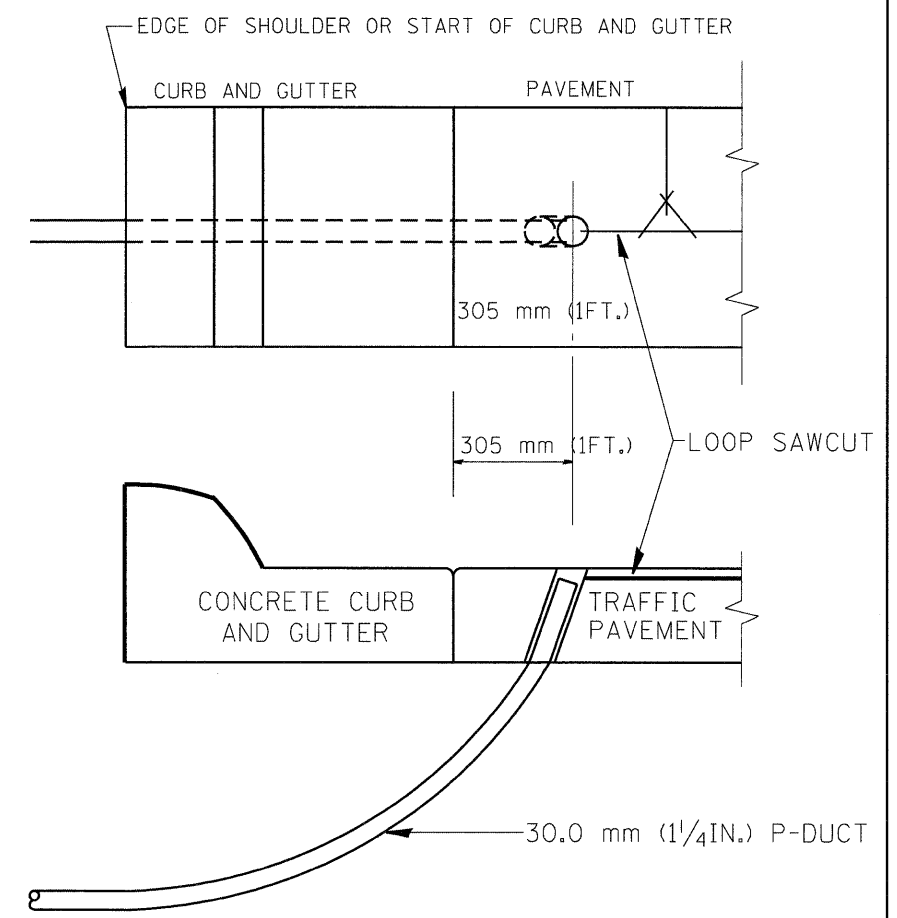
MINIMUM 25 mm (1") HEAT SHRINK TUBING OVERLAP ON WIRE, PVC & SHIELDED CABLE TO FORM WATER TIGHT SEAL

LOOP SPLICING REQUIREMENTS

WIDTH (W)	WIDTH (S)
3.7 m (12')	2.5 m (8')
4.0 m (13')	2.8 m (9')
4.3 m (14')	3.1 m (10')
4.6 m (15')	3.4 m (11')
4.9 m (16')	3.7 m (12')
5.2 m (17')	4.0 m (13')
5.5 m (18')	4.3 m (14')
5.8 m (19')	4.6 m (15')
6.1 m (20')	4.9 m (16')
6.4 m (21')	5.2 m (17')
6.7 m (22')	5.5 m (18')
7.0 m (23')	5.8 m (19')
7.3 m (24')	6.1 m (20')
7.6 m (25')	6.4 m (21')



TYPICAL "S" FT. BY 1.83 m (6FT.) INDUCTION LOOP SAWCUT LAYOUT FOR RAMPS



CURB AND GUTTER LOOP LEAD-IN TRANSITION DETAIL

NOTES

1. EACH LOOP SHALL BE SPLICED TO A 4-C NO.18 TWISTED SHIELDED LEAD IN WHEN 45 m (150FT.) OR MORE FROM CABINET.
2. LOOPS SHALL BE SPLICED IN HANDHOLES ONLY, OTHERWISE WRITTEN PERMISSION SHALL BE OBTAINED FROM TSC ENGINEER.
3. LOOPS SHALL NOT BE SPLICED IN SERIES.
4. EACH LOOP LEAD IN SHALL BE IDENTIFIED AND PERMANENTLY COLOR CODED IN THE COREHOLE, HANDHOLE & CABINETS THRU WHICH THEY ENTER OR PASS AND TAGGED WITH THE CORRECT NOMENCLATURES.

REVISIONS		ILLINOIS DEPARTMENT OF TRANSPORTATION TRAFFIC SYSTEMS CENTER
NAME	DATE	
R.L.	6/94	RECTANGULAR INDUCTION LOOP TYPICAL
T.C.	11/95	
R.L.	05/96	
T.C.	10/96	
		SCALE: VERT. NONE HORIZ. DATE 6-22-94
		DRAWN BY G.M. CHECKED BY R.L.

RD-TYPMET.DGN
RF=

VI=4182