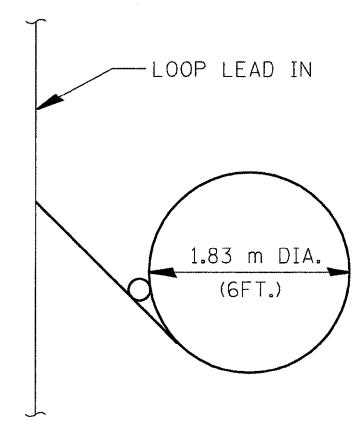
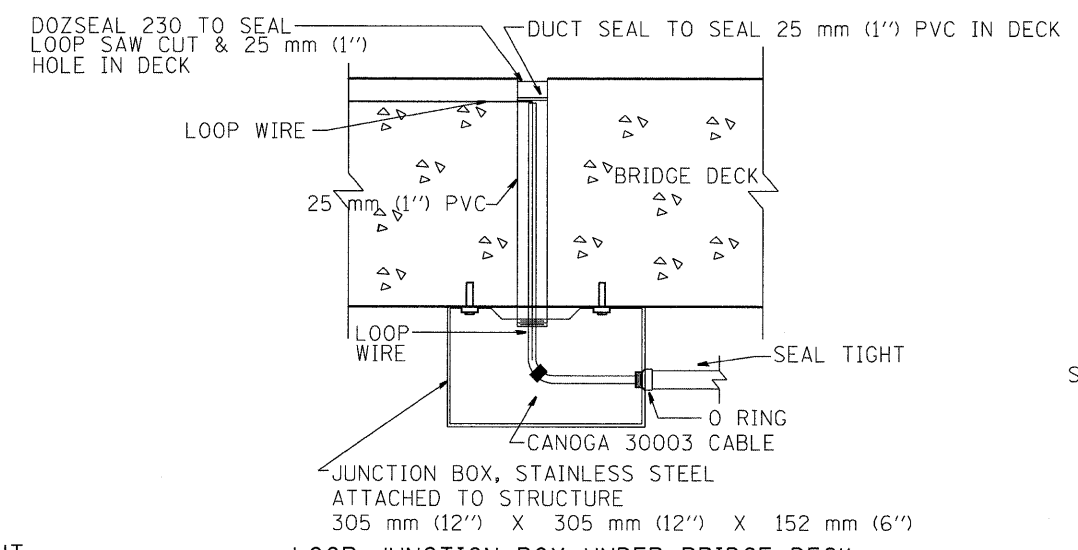


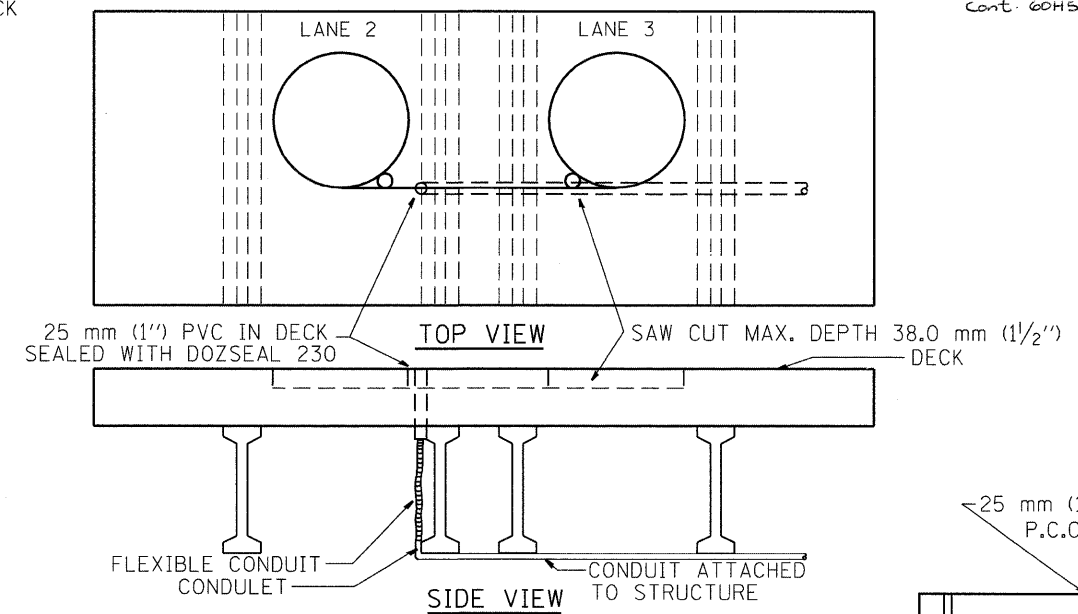
F.A.I. RTE.	SECTION	COUNTY	TOTAL SHEETS	SHEET NO.
ST. 2009-064 R2	COOK		63	46
STA. _____ TO STA. _____		FED. ROAD DIST. NO. ILLINOIS FED. AID PROJECT		
Cont. 60H57				



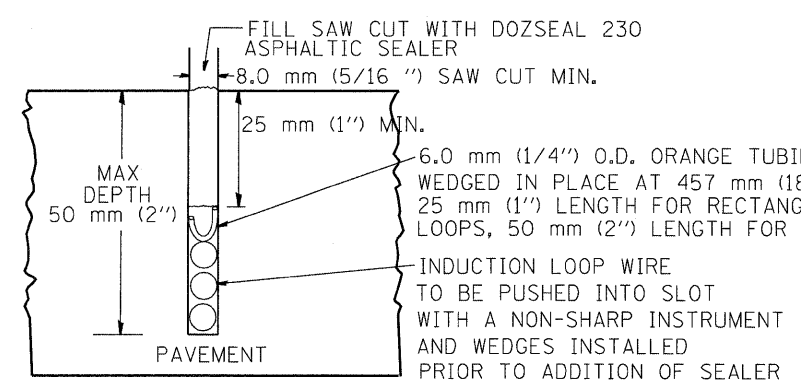
TYPICAL LOOP SAWCUT LAYOUT



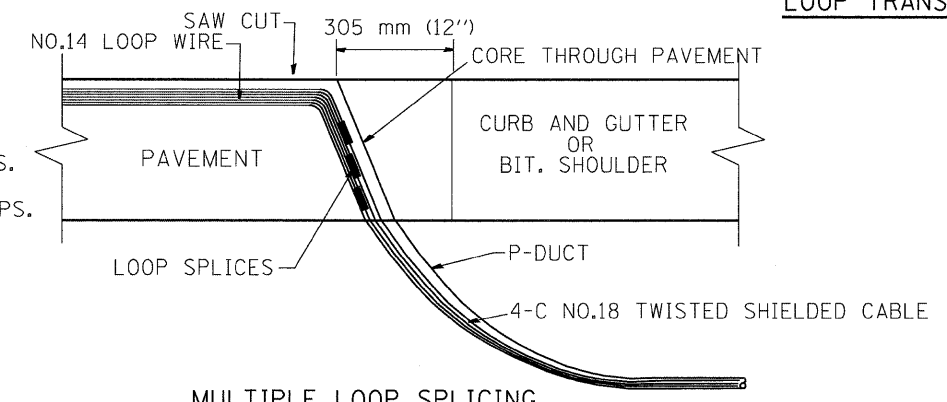
LOOP JUNCTION BOX UNDER BRIDGE DECK



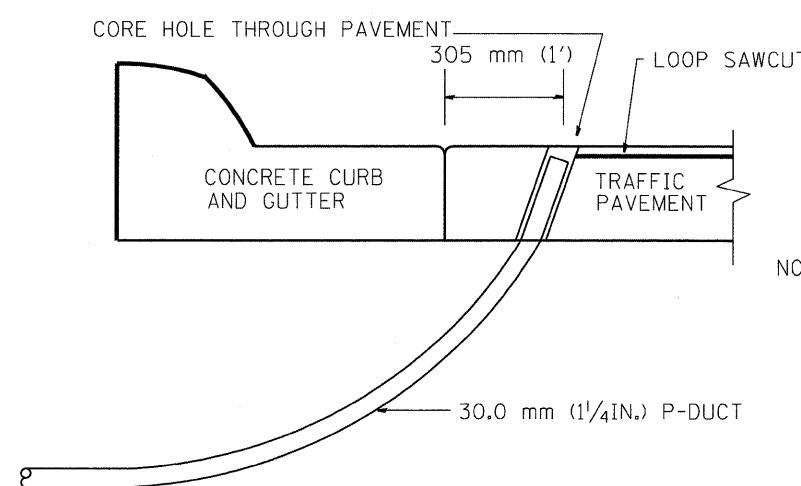
LOOP TRANSITION IN BRIDGE DECK



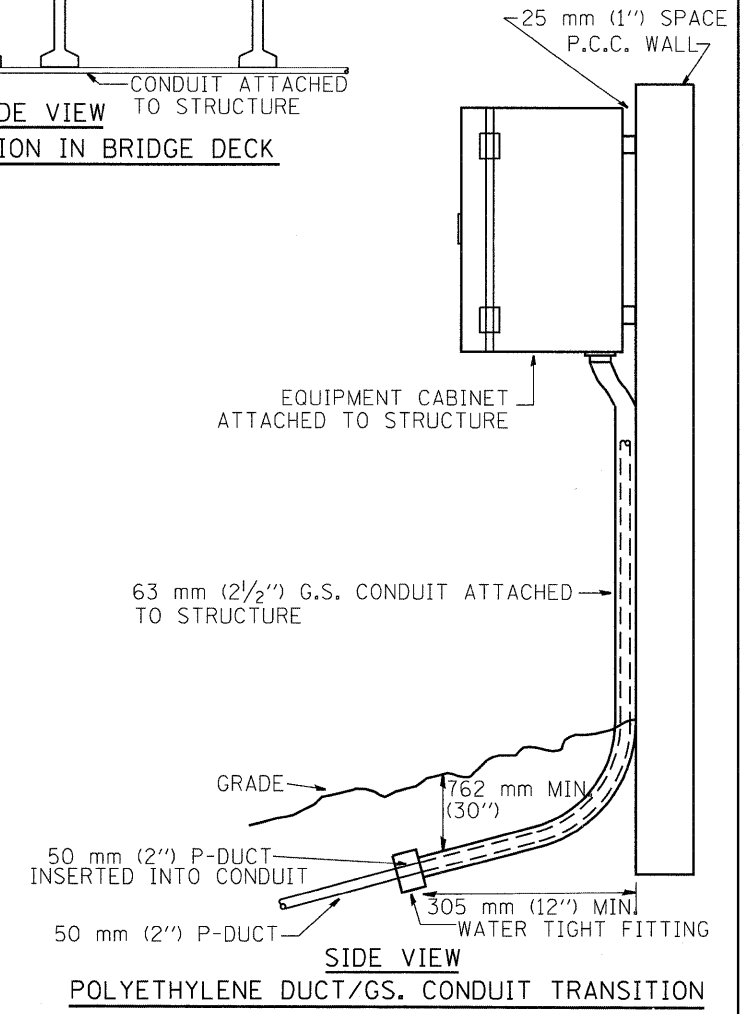
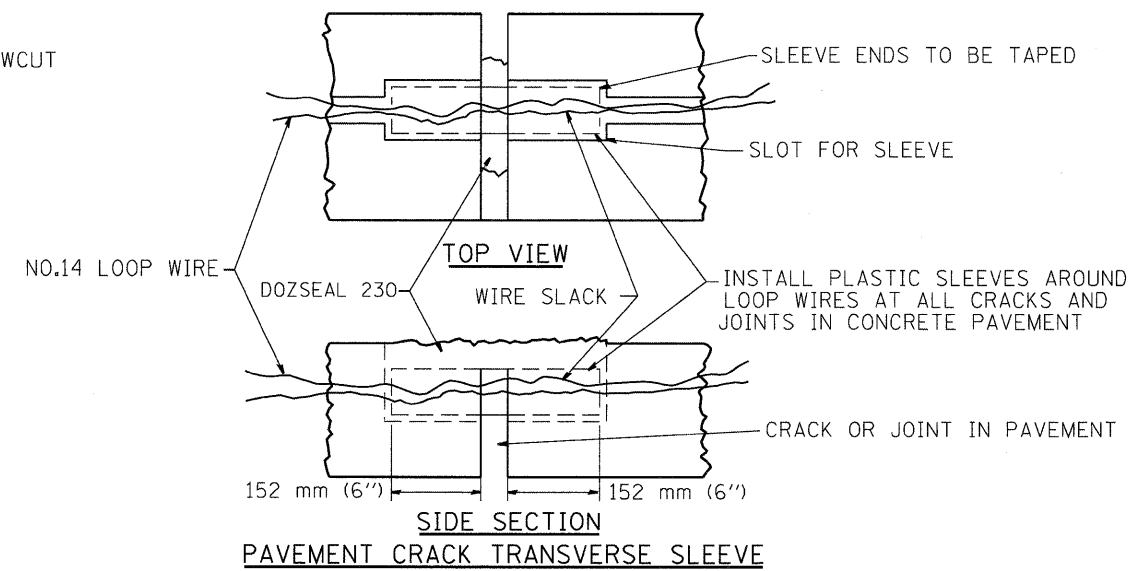
LOOP CROSS SECTION IN PAVEMENT



MULTIPLE LOOP SPLICING



SIDE SECTION LOOP LEAD-IN TRANSITION DETAIL



REVISIONS	
NAME	DATE
R.L.	6/94
R.L.	3/95
T.C.	11/95
R.L.	05/96
T.C.	10/96

ILLINOIS DEPARTMENT OF TRANSPORTATION
TRAFFIC SYSTEMS CENTER

**LOOP, CONDUIT & DUCT
INSTALLATION DETAILS**

SCALE: VERT. NONE
HORIZ. DATE 6-22-94

DRAWN BY G.M.
CHECKED BY R.L.

RD-TYPMET.DGN
RF-E

VI-4184