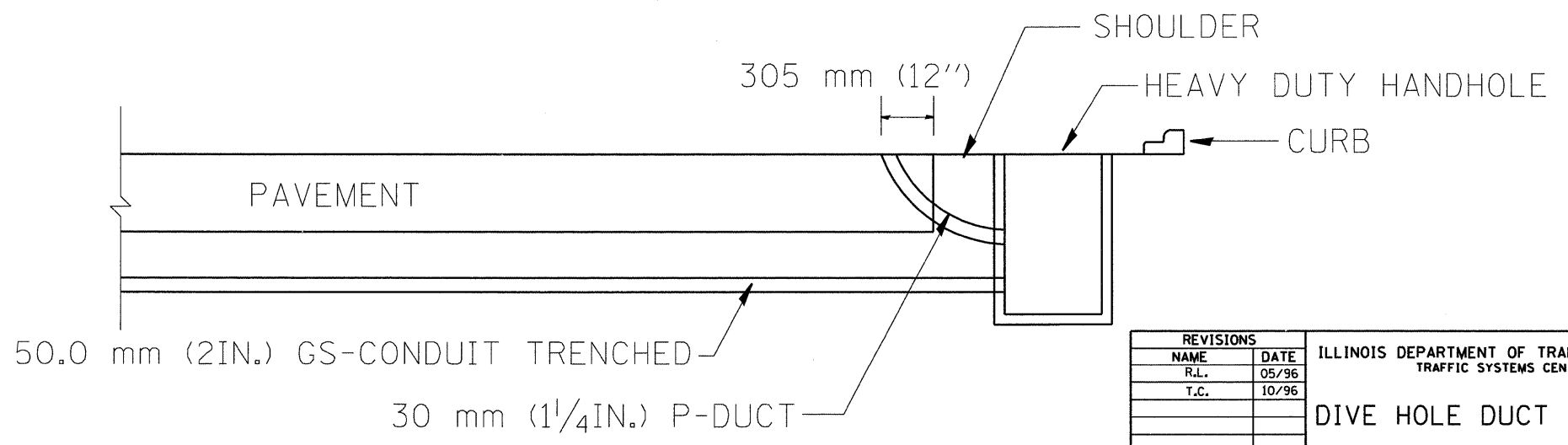
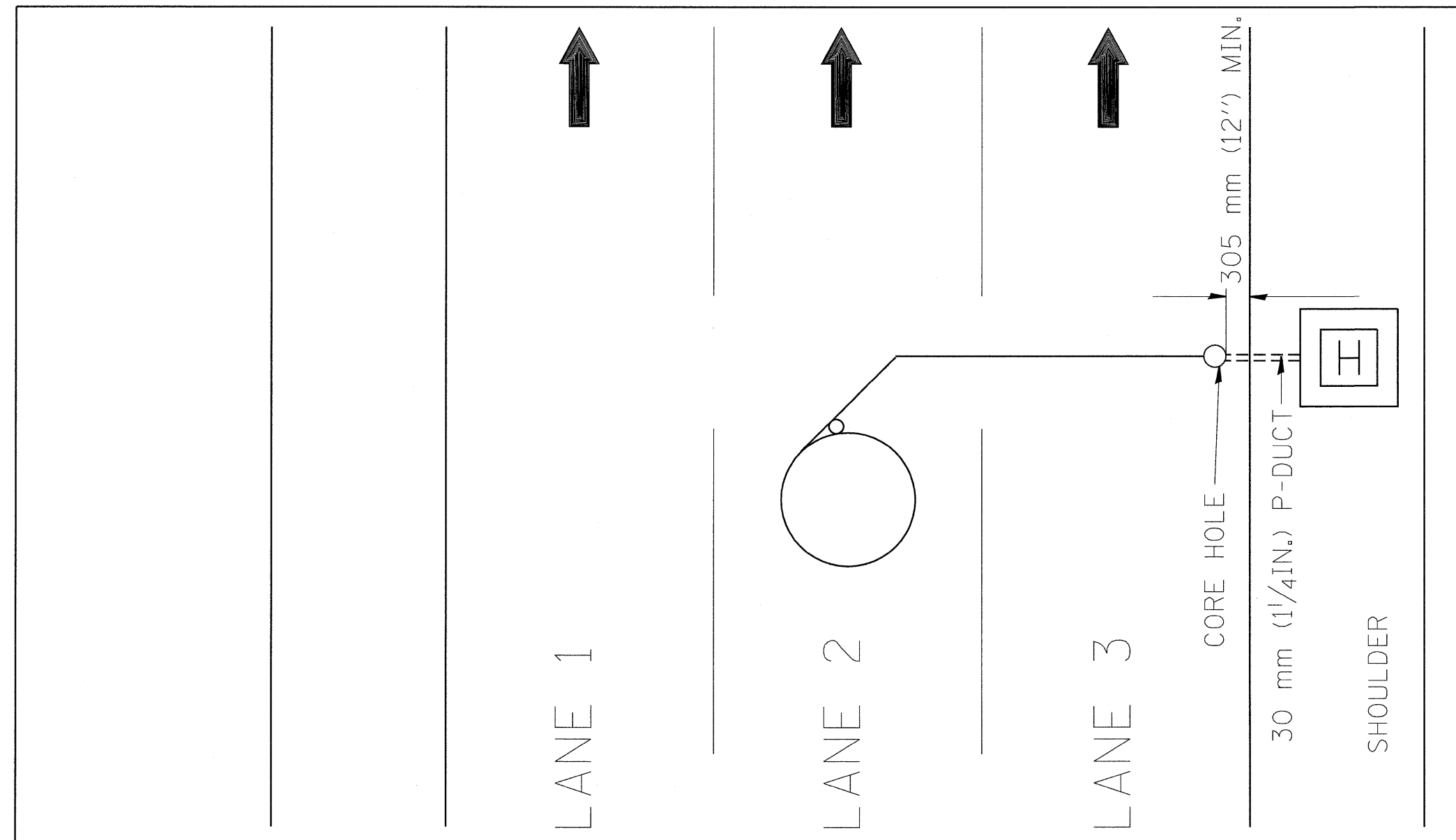


F.A.L. RTE.	SECTION	COUNTY	TOTAL SHEETS	SHEET NO.
ST. 2009-04185	Cook		63	49
STA. _____		TO STA. _____		
FED. ROAD DIST. NO. _____		ILLINOIS FED. AID PROJECT		
Cont. 60457				



REVISIONS	
NAME	DATE
R.L.	05/96
T.C.	10/96

ILLINOIS DEPARTMENT OF TRANSPORTATION  
TRAFFIC SYSTEMS CENTER

**DIVE HOLE DUCT SYSTEM**

SCALE: VERT. NONE  
HORIZ. NONE

DATE 11/7/95

DRAWN BY G.M.  
CHECKED BY R.L.

RD-TYPMET.DGN  
RF=

VI-4188