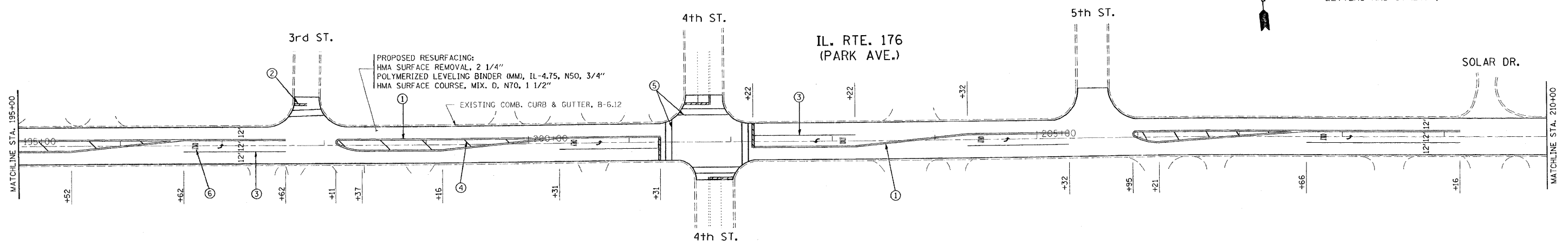


LEGEND

- ① THERMOPLASTIC PAVEMENT MARKING LINE, 4" SOLID YELLOW (DOUBLE), 11" C-C
- ② THERMOPLASTIC PAVEMENT MARKING STOP BAR, 24" SOLID WHITE
- ③ THERMOPLASTIC PAVEMENT MARKING TURN LANE LINE, 6" WHITE
- ④ THERMOPLASTIC PAVEMENT MARKING 12" SOLID YELLOW (RT. 45° DIAGONALS @ 20' C-C)
- ⑤ THERMOPLASTIC PAVEMENT MARKING 6" WHITE CROSSWALK
- ⑥ THERMOPLASTIC PAVEMENT MARKING LEFT LANE ONLY LETTERS AND SYMBOLS, 8" WHITE



FILE NAME = c:\pwwork\pwwork\kellers\08143892\01023094-shr-plan.dgn	USER NAME = kellers	DESIGNED -	REVISED -	STATE OF ILLINOIS DEPARTMENT OF TRANSPORTATION	ROADWAY AND PAVEMENT MARKING PLAN IL. ROUTE 176 (IL. RTE. 21-ST. MARY'S RD.)			F.A.U. RTE. 1238	SECTION (0&31) RS-7	COUNTY LAKE	TOTAL SHEETS 32	SHEET NO. 6
	PLOT SCALE = 50.0000' / IN.	CHECKED -	REVISED -		SCALE: 1"=50'	SHEET NO. OF	SHEETS	STA. 180+00	TO STA. 210+00	ILLINOIS FED. AID PROJECT		
PLOT DATE = 7/2/2009	DATE -	REVISED -	REVISED -									
CONTRACT NO. 62662												