

SUGGESTED STAGES OF CONSTRUCTION
IL ROUTE 176 BRIDGE OVER THE DES PLAINES RIVER

STAGE 1

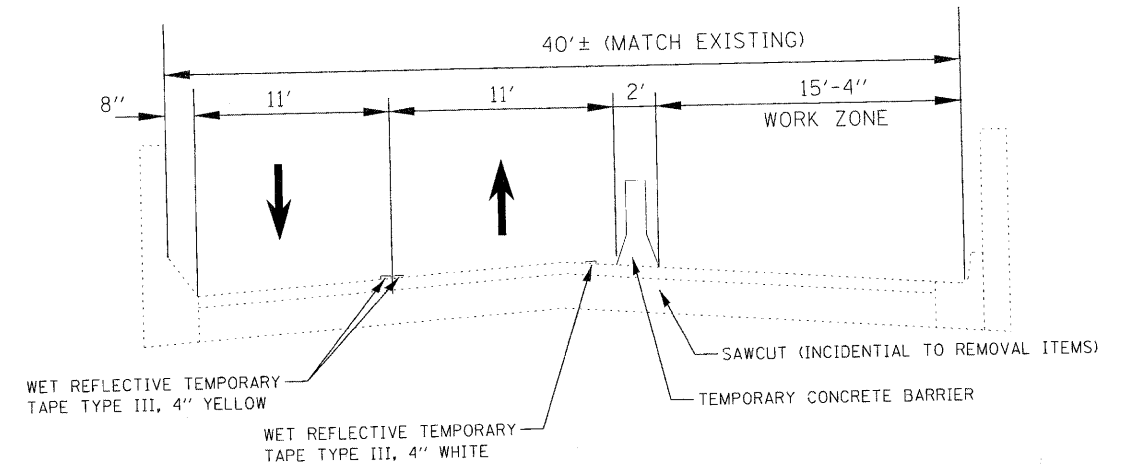
1. TEMPORARY CONCRETE BARRIER INSTALLED AND TRAFFIC MAINTAINED AS PER TYPICAL SECTION AND PLAN DETAILS
2. REMOVE EXISTING APPROACH PAVEMENT AND CURB ON SOUTH SIDE OF BRIDGE
3. CONSTRUCT APPROACH PAVEMENT, CURB, AND CONNECTOR PAVEMENT

STAGE 2

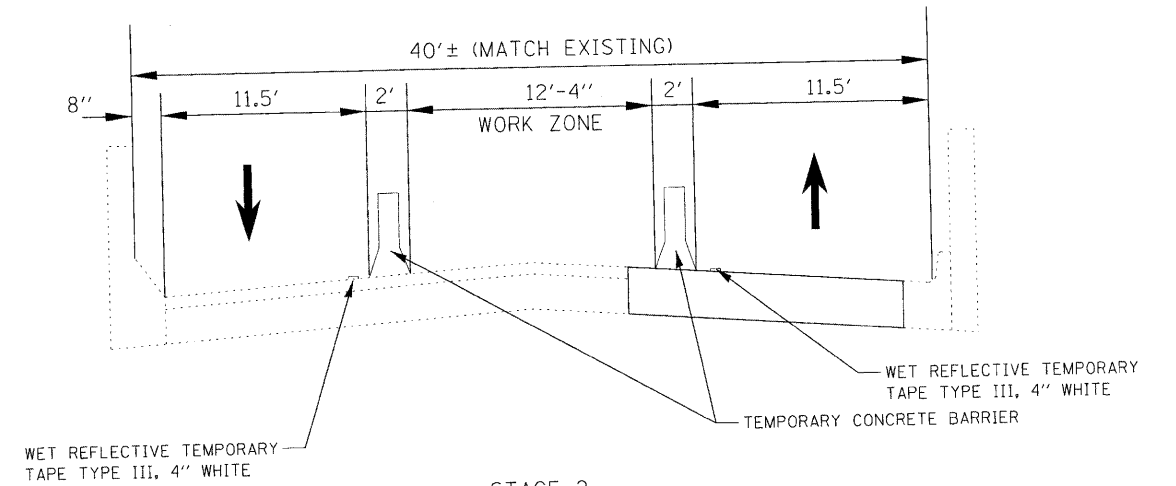
1. TEMPORARY CONCRETE BARRIER INSTALLED AND TRAFFIC MAINTAINED AS PER TYPICAL SECTION AND PLAN DETAILS
2. REMOVE EXISTING APPROACH PAVEMENT ON INSIDE LANE
3. CONSTRUCT APPROACH PAVEMENT AND CONNECTOR PAVEMENT

STAGE 3

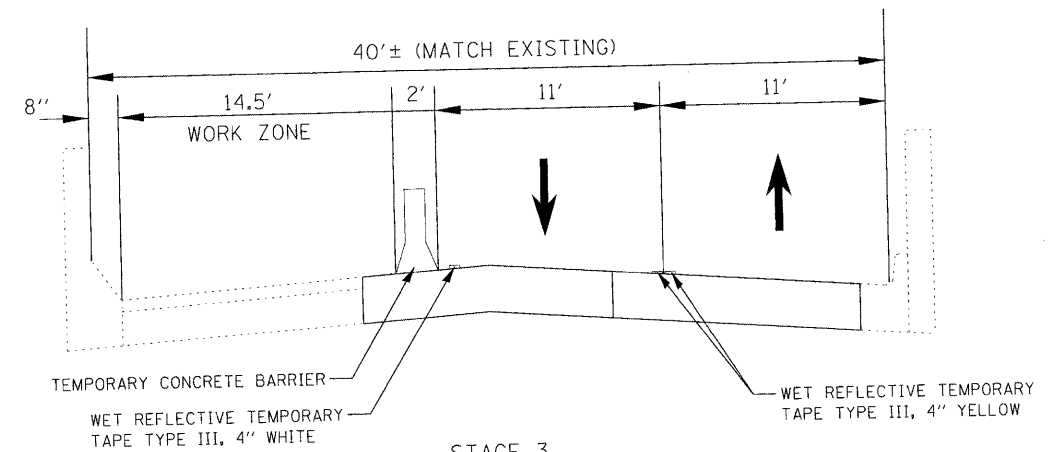
1. TEMPORARY CONCRETE BARRIER INSTALLED AND TRAFFIC MAINTAINED AS PER TYPICAL SECTION AND PLAN DETAILS
2. REMOVE EXISTING APPROACH PAVEMENT AND CURB ON NORTH SIDE OF BRIDGE
3. CONSTRUCT APPROACH PAVEMENT, CURB, AND CONNECTOR PAVEMENT
4. PLACE TEMPORARY TAPE TO MATCH EXISTING PAVEMENT MARKINGS



STAGE 1
 IL ROUTE 176 BRIDGE OVER
 DES PLAINES RIVER (LOOKING EAST)



STAGE 2
 IL ROUTE 176 BRIDGE OVER
 DES PLAINES RIVER (LOOKING EAST)



STAGE 3
 IL ROUTE 176 BRIDGE OVER
 DES PLAINES RIVER (LOOKING EAST)

FILE NAME = N:\PROJ\3388\3388_34\Drawn\DOT\3388_34-4011.rvt.dgn

Ciorba Group, Inc.
 CONSULTING ENGINEERS
 5507 North Cumberland Avenue, Suite 402
 Chicago, Illinois 60650
 Tel. 773.775.4009 Fax 773.775.4014

USER NAME = cgutowski	DESIGNED -	REVISED -
PLOT SCALE = 1/8" = 1' IN.	DRAWN -	REVISED -
PLOT DATE = 6/26/2009	CHECKED -	REVISED -
	DATE = 06-24-2009	REVISED -

STATE OF ILLINOIS
DEPARTMENT OF TRANSPORTATION

IL ROUTE 176			
SUGGESTED STAGES OF CONSTRUCTION			
SCALE:	SHEET NO.	OF SHEETS	STA. TO STA.

F.A.U. RTE. 1238	SECTION (O & 31) RS-7	COUNTY LAKE	TOTAL SHEETS 32	SHEET NO. 9
FED. ROAD DIST. NO. 1 ILLINOIS FED. AID PROJECT			CONTRACT NO. 62662	