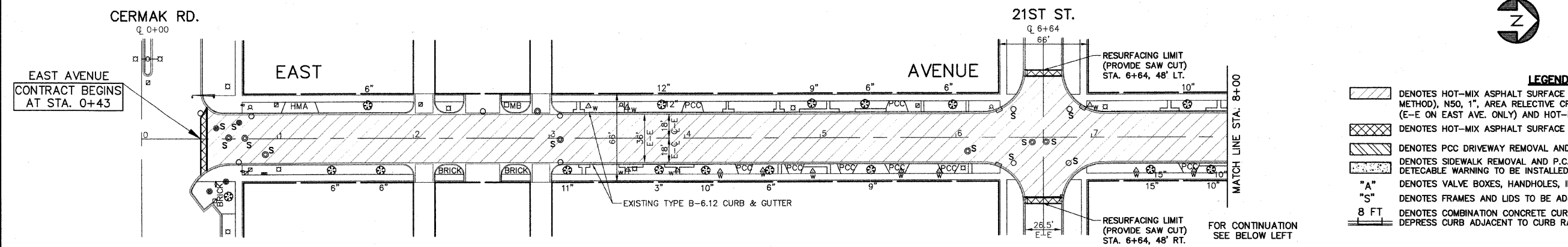


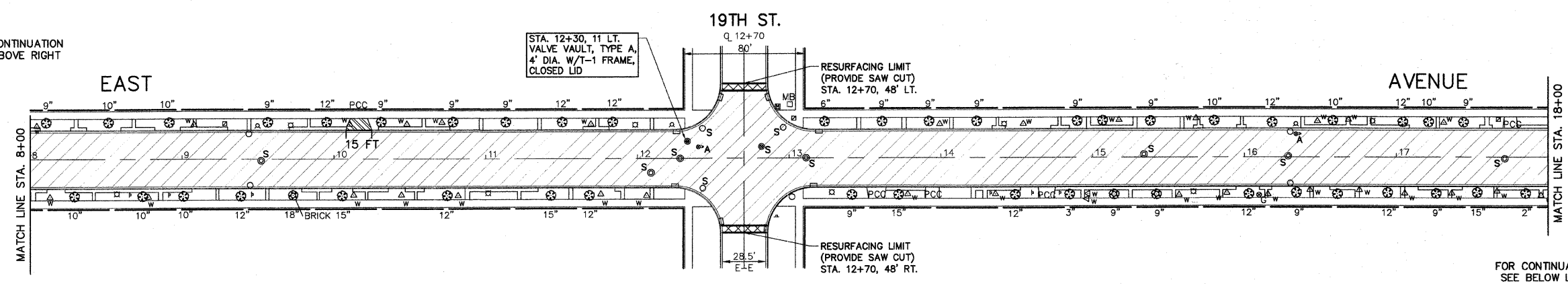
FAU RTE	SECTION	COUNTY	TOTAL SHEETS	SHEET NO.
FAU 2779	08-00155-00-RS	COOK	15	4
F.H.W.A. REG.	ILLINOIS	PROJECT	ARA-9003(176)	

CONTRACT NO. 63203



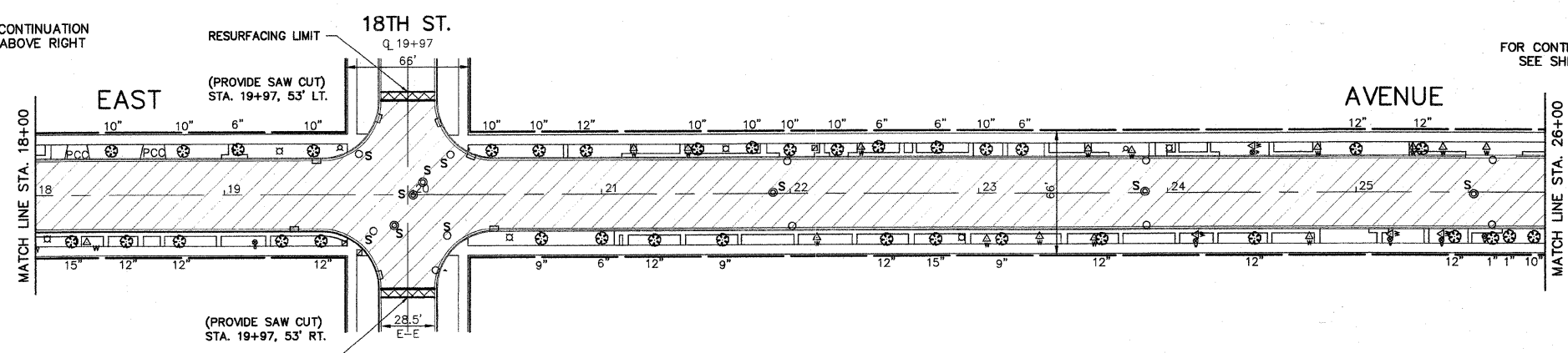
- LEGEND**
- DENOTES HOT-MIX ASPHALT SURFACE REMOVAL 3", LEVELING BINDER (MACHINE METHOD), N50, 1", AREA RELECTIVE CRACK CONTROL TREATMENT, SYSTEM A (E-E ON EAST AVE. ONLY) AND HOT-MIX ASPHALT SURFACE COURSE, MIX D, N50, 2"
 - DENOTES HOT-MIX ASPHALT SURFACE REMOVAL-BUTT JOINT, (4.5' WIDTH)
 - DENOTES PCC DRIVEWAY REMOVAL AND REPLACEMENT
 - DENOTES SIDEWALK REMOVAL AND P.C. CONCRETE SIDEWALK, 5 INCH. DETECABLE WARNING TO BE INSTALLED AS REQUIRED.
 - "A" DENOTES VALVE BOXES, HANDHOLES, INLETS, AND CATCH BASINS TO BE ADJUSTED.
 - "S" DENOTES FRAMES AND LIDS TO BE ADJUSTED (SPECIAL)
 - 8 FT DENOTES COMBINATION CONCRETE CURB & GUTTER REMOVAL AND REPLACEMENT. DEPRESS CURB ADJACENT TO CURB RAMPS FOR SIDEWALKS AS REQUIRED.

FOR CONTINUATION SEE ABOVE RIGHT



FOR CONTINUATION SEE BELOW LEFT

FOR CONTINUATION SEE ABOVE RIGHT



FOR CONTINUATION SEE SHEET 5

FOR TYPICAL CROSS SECTION OF NEW PAVEMENT WORK SEE SHEET 3

- NOTE:**
- 1 ALL EXISTING FRAMES AND LIDS THAT ARE TO BE REPLACED (AS DIRECTED BY THE ENGINEER) SHALL BE SALVAGED TO THE CONTRACTOR.
 - 2 ALL SAW CUTS SHALL BE CONSIDERED INCIDENTAL TO THE CONTRACT

IMPORTANT!
 FULL SIZE PLANS HAVE BEEN PREPARED USING STANDARD ENGINEERING SCALES. REDUCED SIZED PLANS WILL NOT CONFORM TO STANDARD SCALES INDICATED IN TITLE BLOCK.

REVISIONS			
NO.	BY	DATE	DESCRIPTION
2	JEF	6-24-09	PER I.D.O.T. REVIEW

PLAN SHEET: EAST AVENUE
 (RESURFACING)
 CERMAK RD. TO STA. 26+00

PROJECT NO. 06077	SCALE V: 1"=5' H: 1"=40'
DRAWN/DESIGNED JEP/AMS	DATE APRIL, 2009
CHECKED/APPROVED JFP/JEF	FIELD BOOK NO. FILE

SHEET 4 OF 15 SHEETS