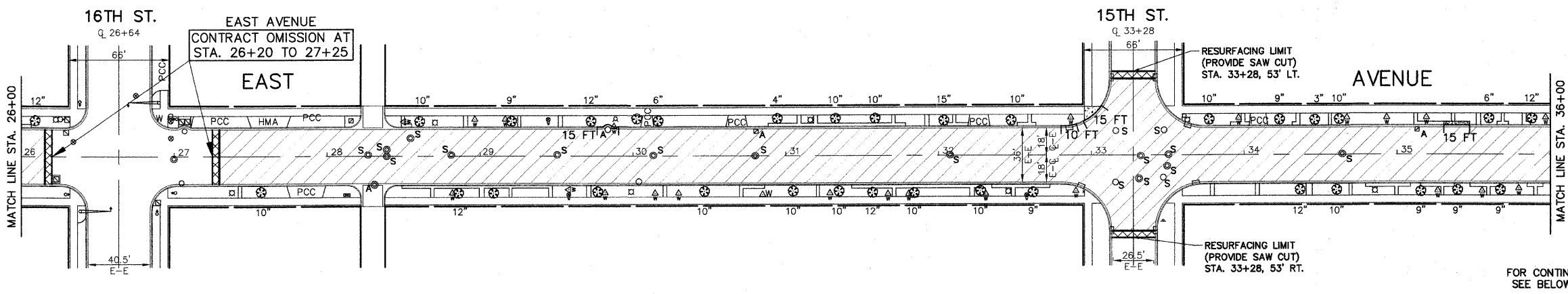


FAU RTE	SECTION	COUNTY	TOTAL SHEETS	SHEET NO.
FAU 2779	08-00155-00-RS	COOK	15	5
F.H.W.A. REG.	ILLINOIS PROJECT	ARA-9003(176)		
CONTRACT NO. 63203				

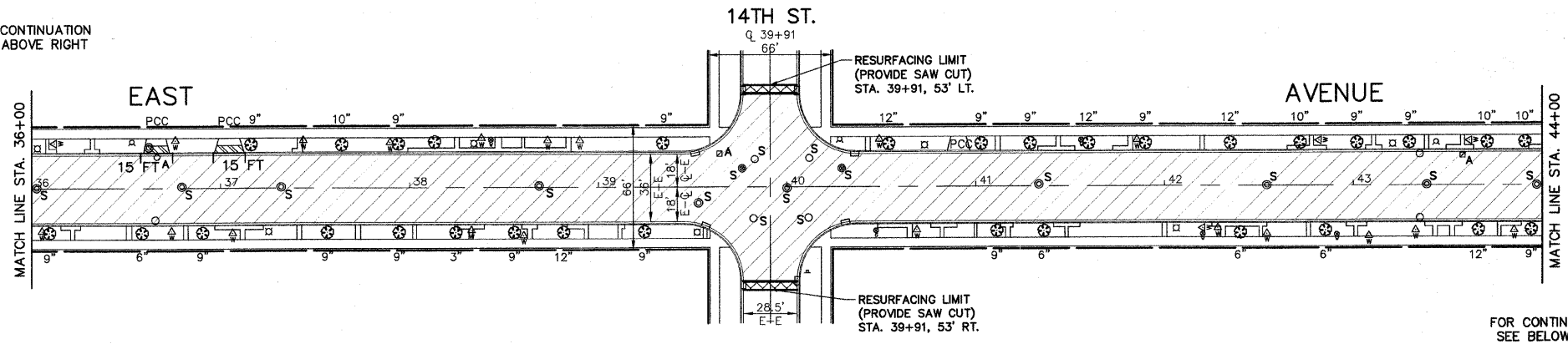


FOR CONTINUATION
SEE SHEET 4

FOR CONTINUATION
SEE BELOW LEFT

- LEGEND**
- DENOTES HOT-MIX ASPHALT SURFACE REMOVAL, 3", LEVELING BINDER (MACHINE METHOD), N50, 1", AREA RELECTIVE CRACK CONTROL TREATMENT, SYSTEM A (E-E ON EAST AVE. ONLY) AND HOT-MIX ASPHALT SURFACE COURSE, MIX D, N50, 2"
 - DENOTES HOT-MIX ASPHALT SURFACE REMOVAL-BUTT JOINT, (4.5' WIDTH)
 - DENOTES PCC DRIVEWAY REMOVAL AND REPLACEMENT
 - DENOTES SIDEWALK REMOVAL AND P.C. CONCRETE SIDEWALK, 5 INCH. DETECABLE WARNING TO BE INSTALLED AS REQUIRED.
 - "A" DENOTES VALVE BOXES, HANDHOLES, INLETS, AND CATCH BASINS TO BE ADJUSTED.
 - "S" DENOTES FRAMES AND LIDS TO BE ADJUSTED (SPECIAL)
 - 8 FT DENOTES COMBINATION CONCRETE CURB & GUTTER REMOVAL AND REPLACEMENT, DEPRESS CURB ADJACENT TO CURB RAMPS FOR SIDEWALKS AS REQUIRED.

FOR CONTINUATION
SEE ABOVE RIGHT



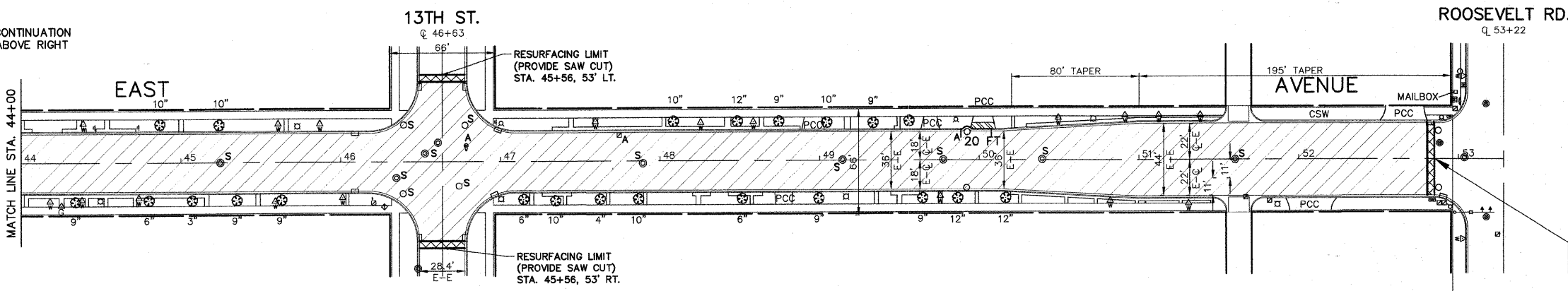
FOR CONTINUATION
SEE BELOW LEFT

FOR TYPICAL CROSS SECTION OF NEW PAVEMENT WORK SEE SHEET 3

- NOTE:**
- 1 ALL EXISTING FRAMES AND LIDS THAT ARE TO BE REPLACED (AS DIRECTED BY THE ENGINEER) SHALL BE SALVAGED TO THE CONTRACTOR.
 - 2 ALL SAW CUTS SHALL BE CONSIDERED INCIDENTAL TO THE CONTRACT

IMPORTANT!
FULL SIZE PLANS HAVE BEEN PREPARED USING STANDARD ENGINEERING SCALES. REDUCED SIZED PLANS WILL NOT CONFORM TO STANDARD SCALES INDICATED IN TITLE BLOCK.

FOR CONTINUATION
SEE ABOVE RIGHT



EAST AVENUE
CONTRACT ENDS
AT STA. 52+85

Frank Novotny & Associates, Inc.
Civil Engineers/Municipal Consultants
825 Midway Drive • Willowbrook, IL • 60527 • Telephone: (630) 887-8640 • Fax: (630) 887-0132
Illinois Professional Design Firm No. 184-000928

PROJECT
CITY OF BERWYN, ILLINOIS
EAST AVENUE LAPP RESURFACING
MFT SECTION NO. 08-00165-00-RS

REVISIONS			
NO.	BY	DATE	DESCRIPTION
2	JEF	6-24-09	PER I.D.O.T. REVIEW

PLAN SHEET: EAST AVENUE
(RESURFACING)
STA. 26+00 TO ROOSEVELT RD.

PROJECT NO. 06077	SCALE V: 1"=5' H: 1"=40'
DRAWN/DESIGNED JEP/AMS	DATE APRIL, 2009
CHECKED/APPROVED JFP/JEF	FIELD BOOK NO. FILE

SHEET
5
OF
15
SHEETS