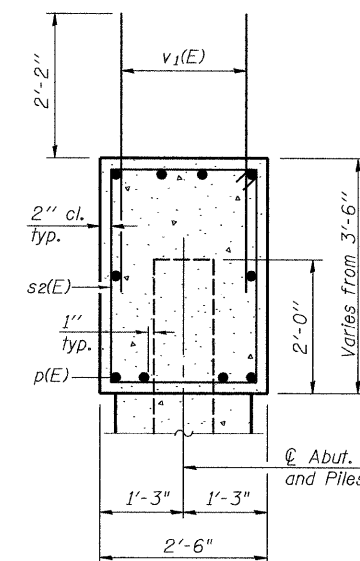


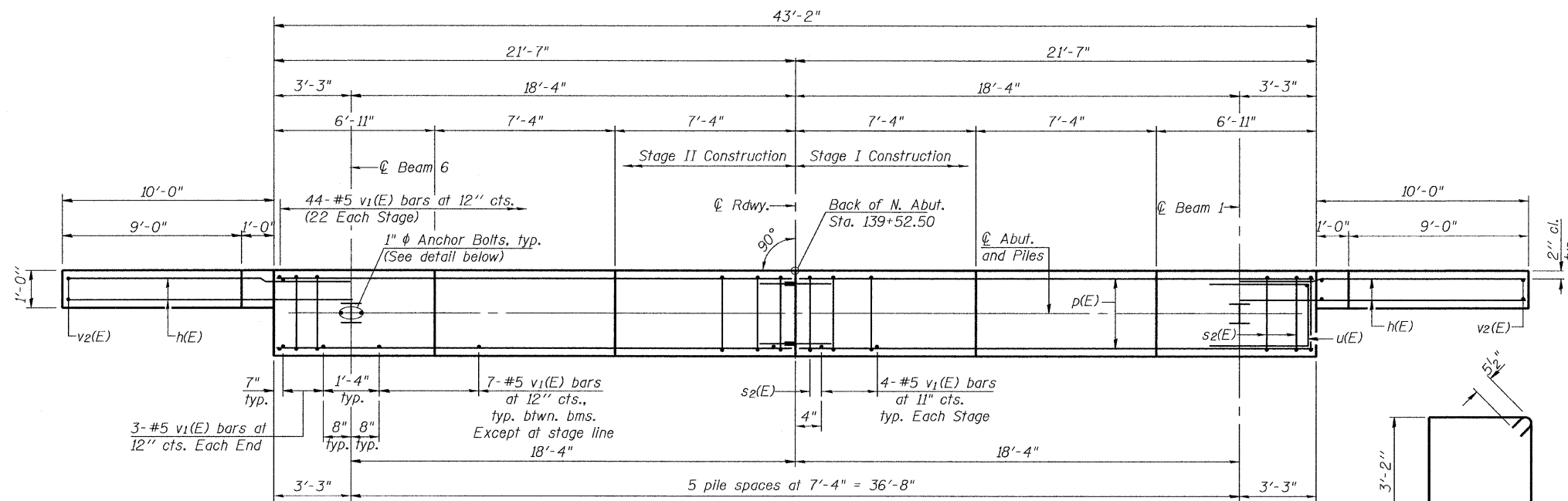
ELEVATION
(Looking North)

NOTES:

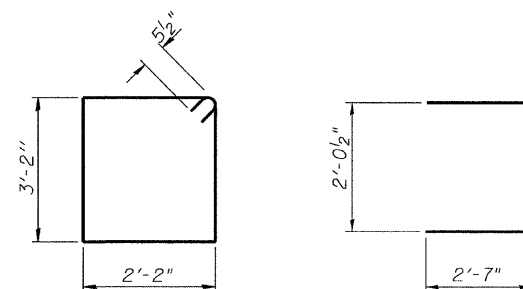
Pour steps monolithically with cap.
See Sheet 2 of 17 for Section Thru Integral Abutment showing drainage details.
For details of Bar Splicers, see sheet 15 of 17.
For details of piles and Concrete Encasement, see sheet 16 of 17.



SEC. THRU ABUT.



PLAN

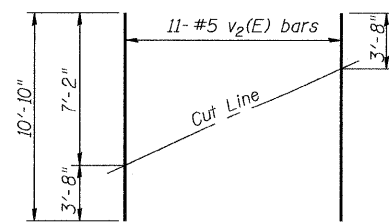


BAR s2(E)

BAR u(E)

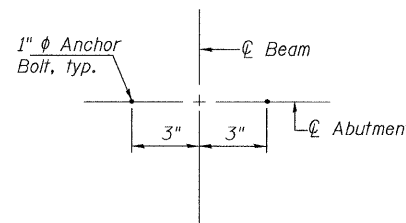
PILE DATA

Type: HP12x63
Maximum Nominal Required Bearing: 497 kips
Factored Resistance Available: 249 kips
Est. Length: 33 ft.
No. Production Piles: 6
No. Test Piles: None



FIELD CUTTING DIAGRAM

Order v2(E) full length. Cut as shown and use remainder of bars in opposite face.



ANCHOR BOLT DETAIL

BILL OF MATERIAL

Bar	No.	Size	Length	Shape
h(E)	44	#6	12'-5"	—
p(E)	20	#7	21'-3"	—
s2(E)	46	#5	11'-7"	□
u(E)	8	#6	7'-3"	—
v1(E)	86	#5	4'-4"	—
v2(E)	22	#5	10'-10"	—
Structure Excavation		Cu. Yd.	77	
Concrete Structures		Cu. Yd.	18.9	
Reinforcement Bars, Epoxy Coated		Pound	2970	
Furnishing Steel Piles HP12X63		Foot	198	
Driving Piles		Foot	198	
Anchor Bolts, 1" φ		Each	12	
Concrete Encasement		Cu. Yd.	2.1	
Bar Splicers		Each	10	

NORTH ABUTMENT
U.S. ROUTE 45 OVER MARTIN CREEK
F.A.P. RT. 328 SEC. (9BR1-10BR1) B-1
WAYNE COUNTY
STATION 139+10.00
STRUCTURE NO. 096-0069

COOMBE-BLOXDORF P.C. Engineers / Land Surveyors Springfield, Illinois Design Firm License No. 184-002703	PROJECT NO. 07053-8 SCALE DATE 10/14/08 DRAWN BY TFG CHECKED BY CME/RM/MCB	SHEET NO. 14 17 SHEETS	F.A.P. RTE. 328 SECTION (9BR1-10BR1) B-1 COUNTY WAYNE CONTRACT NO. 74214	TOTAL SHEETS 67 SHEET NO. 37
	FED. ROAD DIST. NO. 7 ILLINOIS FED. AID PROJECT			

PLOT DATE = 10/14/2008
 FILE NAME = C:\pcc\projects\07053-8\14-n-abut.dgn
 PLOT SCALE = 0.0000 1" = 10'-0"
 USER NAME = JML