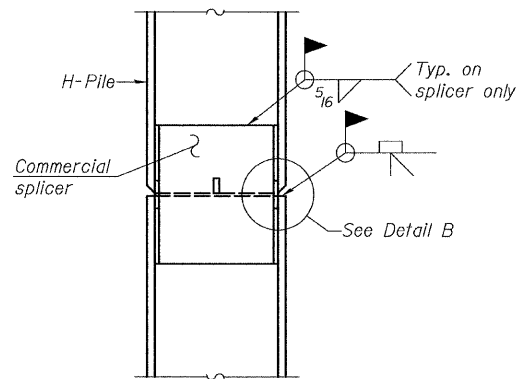
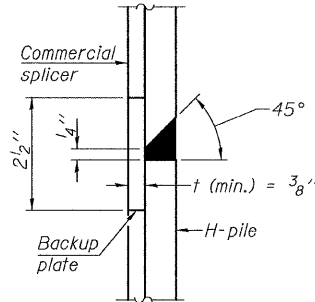


STEEL PILE TABLE

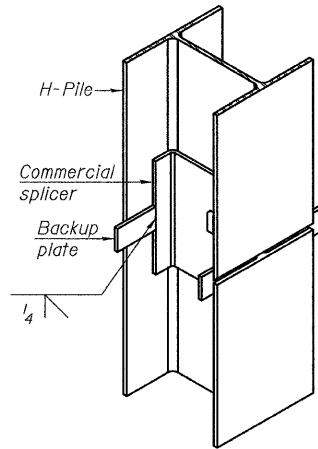
Designation	Depth d	Flange width br	Web and Flange thickness t	Encasement diameter A
HP 14x117	14 1/4"	14 7/8"	13/16"	30"
x102	14"	14 3/4"	1/16"	30"
x89	13 7/8"	14 3/4"	5/8"	30"
x73	13 5/8"	14 5/8"	1/2"	30"
HP 12x84	12 1/4"	12 1/4"	1/16"	24"
x74	12 1/8"	12 1/4"	5/8"	24"
x63	12"	12 1/8"	1/2"	24"
x53	11 3/4"	12"	7/16"	24"
HP 10x57	10"	10 1/4"	9/16"	24"
x42	9 3/4"	10 1/8"	7/16"	24"
HP 8x36	8"	8 1/8"	7/16"	18"



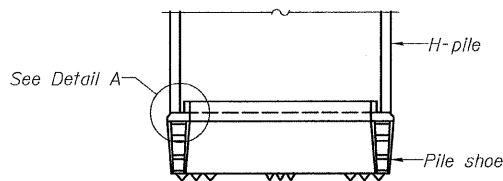
ELEVATION



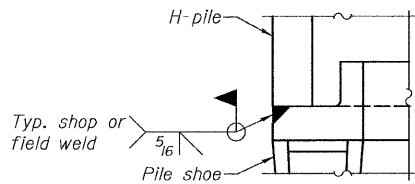
DETAIL "B"



ISOMETRIC VIEW

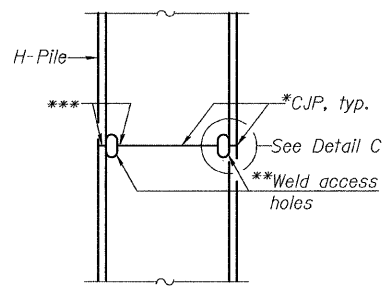


ELEVATION

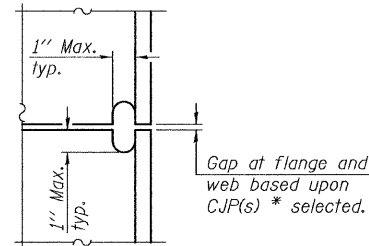


DETAIL A

H-PILE SHOE ATTACHMENT



ELEVATION



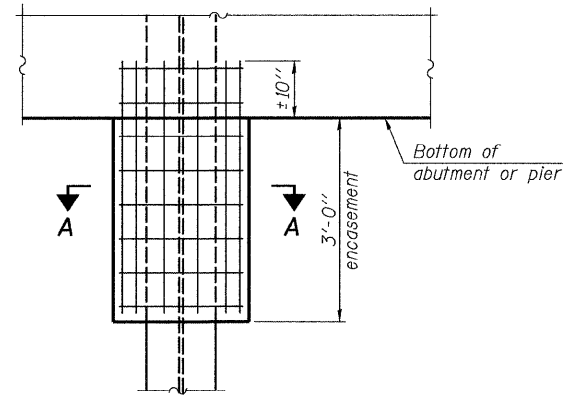
DETAIL C

COMPLETE PENETRATION WELD SPLICE

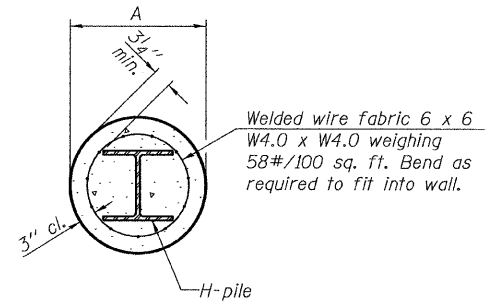
*Use joint conforming to Figure 3.4 in AWS D1.1, Structure Welding Code-Steel.

**Preparation per Fig. 5.2 in AWS D1.1, Structure Welding Code-Steel.

***Interrupt welds 1/4" from end of each pile.



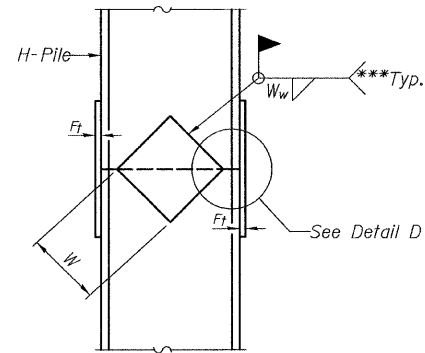
ELEVATION



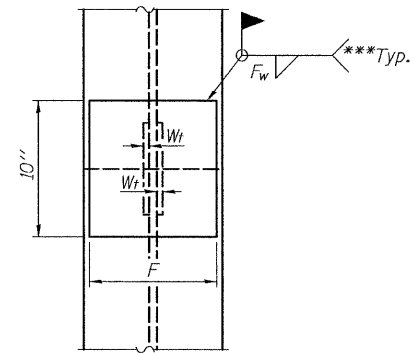
SECTION A-A

Note: Forms for encasement may be omitted when soil conditions permit.

PILE ENCASEMENT

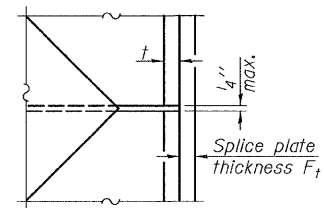


ELEVATION



END VIEW

Designation	F	F _t	F _w	W	W _t	W _w
HP 14x117	12 1/2"	1"	7/8"	7 3/4"	5 1/2"	1/2"
x102	12 1/2"	7/8"	3/4"	7 3/4"	5 1/2"	1/2"
x89	12 1/2"	3/4"	1/16"	7 3/4"	5 1/2"	1/2"
x73	12 1/2"	5/8"	9/16"	7 3/4"	5 1/2"	1/2"
HP 12x84	10"	7/8"	1/16"	6 1/2"	5 1/2"	1/2"
x74	10"	7/8"	1/16"	6 1/2"	5 1/2"	1/2"
x63	10"	5/8"	1/2"	6 1/2"	1/2"	3/8"
x53	10"	5/8"	1/2"	6 1/2"	1/2"	3/8"
HP 10x57	8"	3/4"	9/16"	5 1/4"	1/2"	3/8"
x42	8"	5/8"	9/16"	5 1/4"	1/2"	3/8"
HP 8x36	7"	5/8"	7/16"	4 1/4"	1/2"	3/8"



DETAIL D

STEEL H-PILE BASE SHEET
U.S. ROUTE 45 OVER MARTIN CREEK
F.A.P. RT. 328 SEC. (9BRI-10BRI) B-1
WAYNE COUNTY
STATION 139+10.00
STRUCTURE NO. 096-0069

Note: The steel H-piles shall be according to AASHTO M270 Grade 50.

COOMBE-BLOXDORF P.C. Engineers / Land Surveyors Springfield, Illinois Design Firm License No. 184-002703	PROJECT NO. 07053-8 SCALE DATE 8/05/08 DRAWN BY IFG CHECKED BY CME/RM/MCB	SHEET NO. 16 17 SHEETS	F.A.P. RTE. 328 SECTION (9BRI-10BRI) B-1 COUNTY WAYNE TOTAL SHEETS 67 SHEET NO. 39	CONTRACT NO. 74214 FED. ROAD DIST. NO. 7 ILLINOIS FED. AID PROJECT
--	---	---------------------------	--	---

PLOT DATE = 08/06/2008
 FILE NAME = \\s08b\bridge-plan\fig11-16.dgn
 USER NAME = TFL