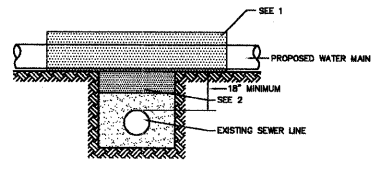


PROPOSED WATER MAIN ABOVE EXISTING SEWER LINE WITH 18" MINIMUM SEPARATION.

NOTE: CLASS IV MATERIAL SHALL BE COMPACTED TO 95% OF STANDARD PROCTOR MAXIMUM DENSITY.

GUIDELINES

- OMIT SELECT GRANULAR CRADLE AND GRANULAR BACKFILL TO ONE (1) FOOT OVER TOP OF PIPE AND USE SELECT EXCAVATED MATERIAL (CLASS IV) AND COMPACT FOR 10 FEET ON EITHER SIDE OF SEWER LINE.
- IF SELECT GRANULAR BACKFILL EXISTS, REMOVE WITHIN WIDTH OF EXISTING SEWER LINE TRENCH AND REPLACE WITH SELECT EXCAVATED MATERIAL (CLASS IV) AND COMPACT.

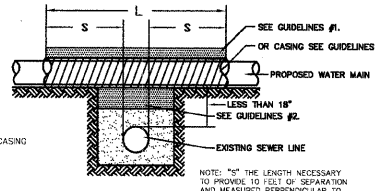


PROPOSED WATER MAIN ABOVE EXISTING SEWER LINE WITH LESS THAN 18" VERTICAL SEPARATION.

NOTE: COMPACTION REQUIREMENTS REFER TO 20-2.20B

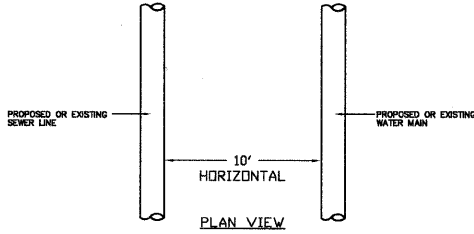
GUIDELINES

- OMIT SELECT GRANULAR EMBEDMENT AND GRANULAR BACKFILL TO ONE (1) FOOT OVER TOP OF WATER MAIN AND USE SELECT EXCAVATED MATERIAL (CLASS IV) AND COMPACT THE LENGTH OF "L".
- IF SELECT GRANULAR BACKFILL EXISTS, REMOVE WITHIN WIDTH OF EXISTING SEWER LINE TRENCH AND REPLACE WITH SELECT EXCAVATED MATERIAL (CLASS IV) AND COMPACT.
- USE "L" FEET OF WATER MAIN MATERIAL FOR CASING OF PROPOSED WATER MAIN AND SEAL ENDS OF CASING.
- POINT LOADS SHALL NOT BE ALLOWED BETWEEN WATER MAIN CASING AND SEWER.

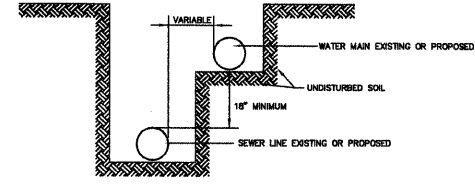


WATER AND SEWER SEPARATION REQUIREMENTS

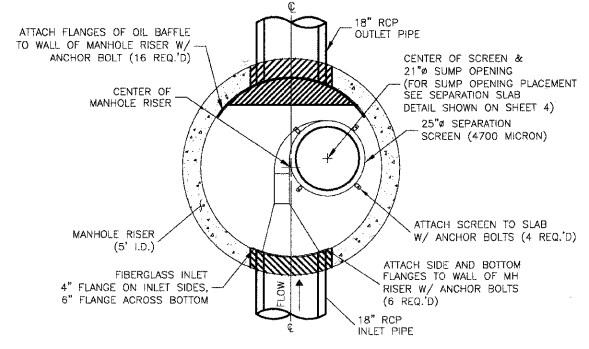
WHEN PROPOSED SEWER (OR WATER) IS LOCATED 10 FEET OR MORE FROM EXISTING WATER (OR SEWER), NO SPECIAL CONSTRUCTION REQUIRED. SEE SECTION 41-2.01B (1)



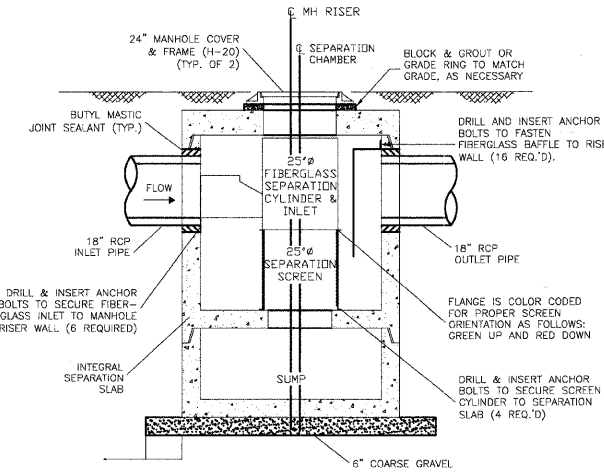
WHEN PROPOSED SEWER (OR WATER) IS LOCATED LESS THAN 10 FEET FROM EXISTING WATER (OR SEWER), DETAILS BELOW SHALL APPLY. SEE SECTION 41-2.01B (2)



WATER AND SEWER SEPARATION REQUIREMENTS

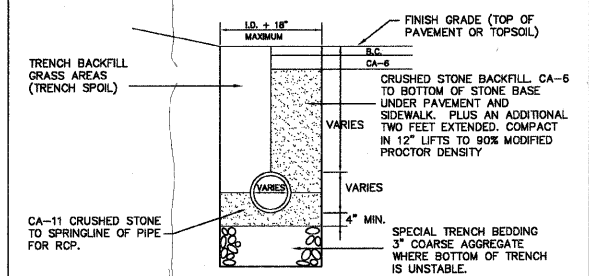


- NOTES:**
- ALL CONCRETE COMPONENTS SHALL BE CONSTRUCTED PER ASTM C-478.
 - ALL CONCRETE SHALL HAVE A MINIMUM COMPRESSIVE STRENGTH OF 4,000 PSI.

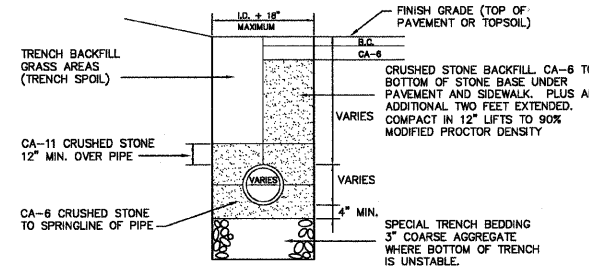


NOTE:
ALTERNATE TREATMENT UNITS MAY BE USED, IF APPROVED BY VILLAGE AND ENGINEER.

STORM WATER TREATMENT UNIT CONSTRUCTION NOTES



STORM TRENCH DETAIL

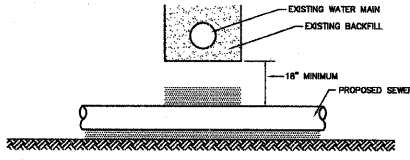


WATERMAIN TRENCH DETAIL

PROPOSED SEWER LINE BELOW EXISTING WATER MAIN WITH 18" MINIMUM VERTICAL SEPARATION.

GUIDELINES

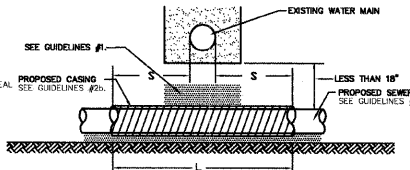
- PROVIDE ADEQUATE SUPPORT FOR EXISTING WATER MAIN TO PREVENT DAMAGE DUE TO SETTLEMENT OF SEWER TRENCH.



PROPOSED SEWER LINE BELOW EXISTING WATER MAIN WITH LESS THAN 18" VERTICAL SEPARATION.

GUIDELINES

- OMIT SELECT GRANULAR EMBEDMENT AND GRANULAR BACKFILL TO ONE (1) FOOT OVER TOP OF SEWER AND USE SELECT EXCAVATED MATERIAL (CLASS IV) AND COMPACT FOR "S" FEET ON EACH SIDE OF WATER MAIN.
- CONSTRUCT "L" FEET OF PROPOSED SEWER OF WATER MAIN MATERIAL AND PRESSURE TEST, OR
- USE "L" FEET OF WATER MAIN MATERIAL FOR CASING OF PROPOSED SEWER AND SEAL ENDS OF CASING.
- PROVIDE ADEQUATE SUPPORT FOR EXISTING WATER MAIN TO PREVENT DAMAGE DUE TO SETTLEMENT OF SEWER TRENCH.



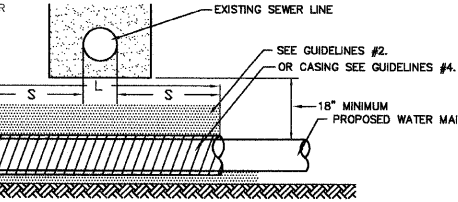
WATER AND SEWER SEPARATION REQUIREMENTS

PROPOSED WATER MAIN BELOW EXISTING SEWER LINE WITH 18" MINIMUM VERTICAL SEPARATION.

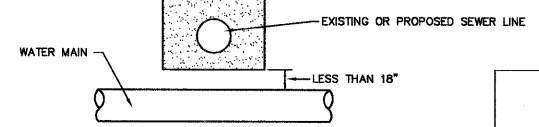
GUIDELINES

NOTE: COMPACTION REQUIREMENTS REFER TO 20-2.20B

- OMIT SELECT GRANULAR EMBEDMENT AND GRANULAR BACKFILL TO ONE (1) FOOT OVER TOP OF WATER MAIN AND USE SELECT EXCAVATED MATERIAL (CLASS IV) AND COMPACT THE LENGTH OF "L".
- IF SELECT GRANULAR BACKFILL EXISTS, REMOVE WITHIN WIDTH OF EXISTING SEWER LINE TRENCH AND REPLACE WITH SELECT EXCAVATED MATERIAL (CLASS IV) AND COMPACT.
- PROVIDE ADEQUATE SUPPORT FOR EXISTING SEWER LINE TO PREVENT DAMAGE DUE TO SETTLEMENT.
- USE "L" FEET OF WATER MAIN MATERIAL FOR CASING OF PROPOSED WATER MAIN AND SEAL ENDS OF CASING.



PLACEMENT OF WATER MAIN BELOW EXISTING OR PROPOSED SEWER LINE WITH LESS THAN 18" MINIMUM VERTICAL SEPARATION. NOT ALLOWED*



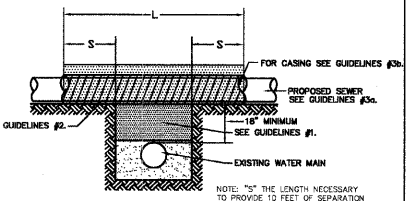
WATER AND SEWER SEPARATION REQUIREMENTS

PROPOSED SEWER LINE WITH 18" MINIMUM VERTICAL SEPARATION ABOVE EXISTING WATER MAIN.

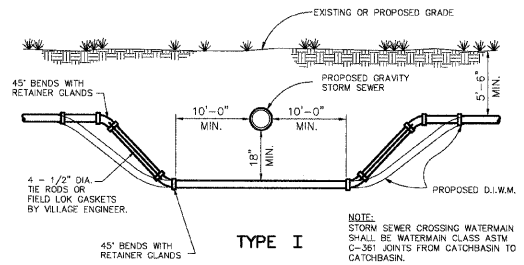
NOTE: COMPACTION REQUIREMENTS REFER TO 20-2.20B

GUIDELINES

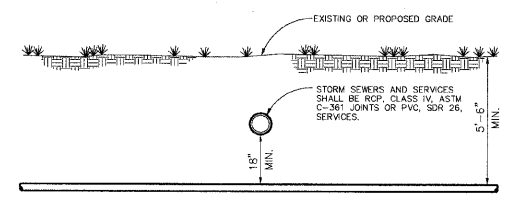
- IF SELECT GRANULAR BACKFILL EXISTS, REMOVE WITHIN WIDTH OF PROPOSED SEWER TRENCH AND REPLACE WITH SELECT EXCAVATED MATERIAL (CLASS IV) AND COMPACT.
- OMIT SELECT GRANULAR EMBEDMENT AND GRANULAR BACKFILL TO ONE (1) FOOT OVER TOP OF SEWER AND USE SELECT EXCAVATED MATERIAL (CLASS IV) AND COMPACT THE LENGTH OF "L" FEET.
- CONSTRUCT "L" FEET OF PROPOSED SEWER OF WATER MAIN MATERIAL AND PRESSURE TEST, OR
- USE "L" FEET OF WATER MAIN MATERIAL FOR CASING OF PROPOSED SEWER AND SEAL ENDS OF CASING.



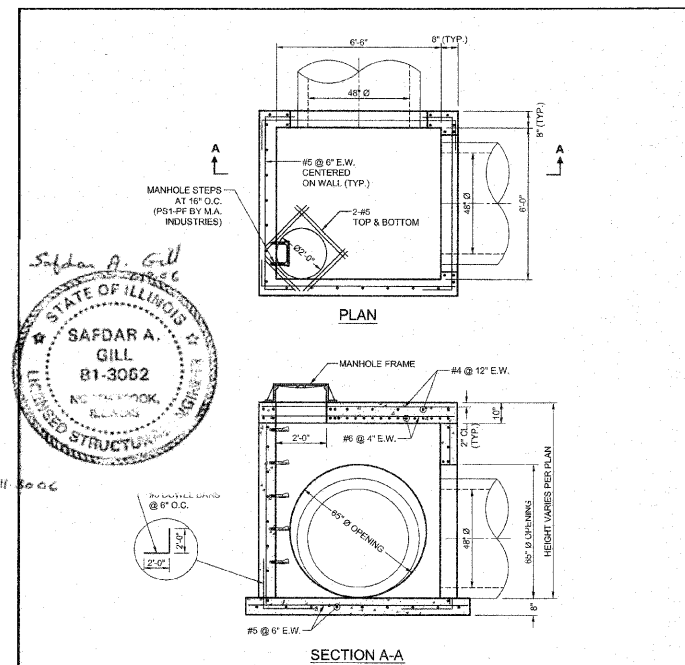
WATER AND SEWER SEPARATION REQUIREMENTS



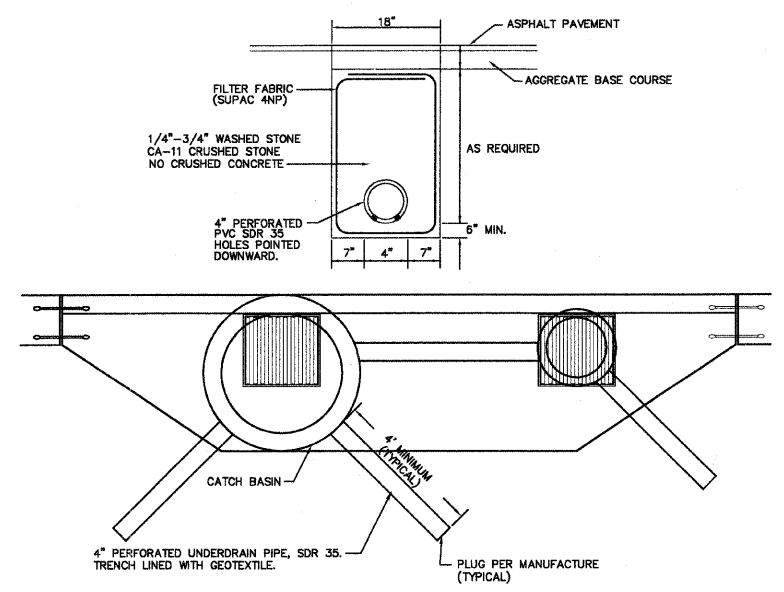
TYPE I



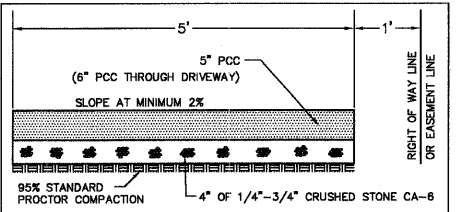
TYPE II WATERMAIN CROSSING



72"x72" JUNCTION CHAMBER DETAIL



FINGERDRAIN DETAIL



PCC SIDEWALK DETAIL

PLANS PREPARED BY:

GEWALT HAMILTON ASSOCIATES, INC.
Consulting Engineers & Surveyors
850 Forest Edge Drive
Verona, Ill. 60091
(815) 478-9700
(815) 478-9701 Fax

REVISIONS	
NAME	DATE
REV-1 IDOT COMMENTS	02-03-06
REV-2	06-02-06
REV-5 PRE-FINAL SUB	02-20-09
PS&E SUBMITTAL	04-10-09

ILLINOIS DEPARTMENT OF TRANSPORTATION

DETAIL SHEET
PROPOSED ROADWAY RECONSTRUCTION AND TRAFFIC SIGNAL IMPROVEMENTS CEMETERY ROAD AND WASHINGTON STREET

DATE: 10-15-04
DRAWN BY: CGP
CHECKED BY: BLS