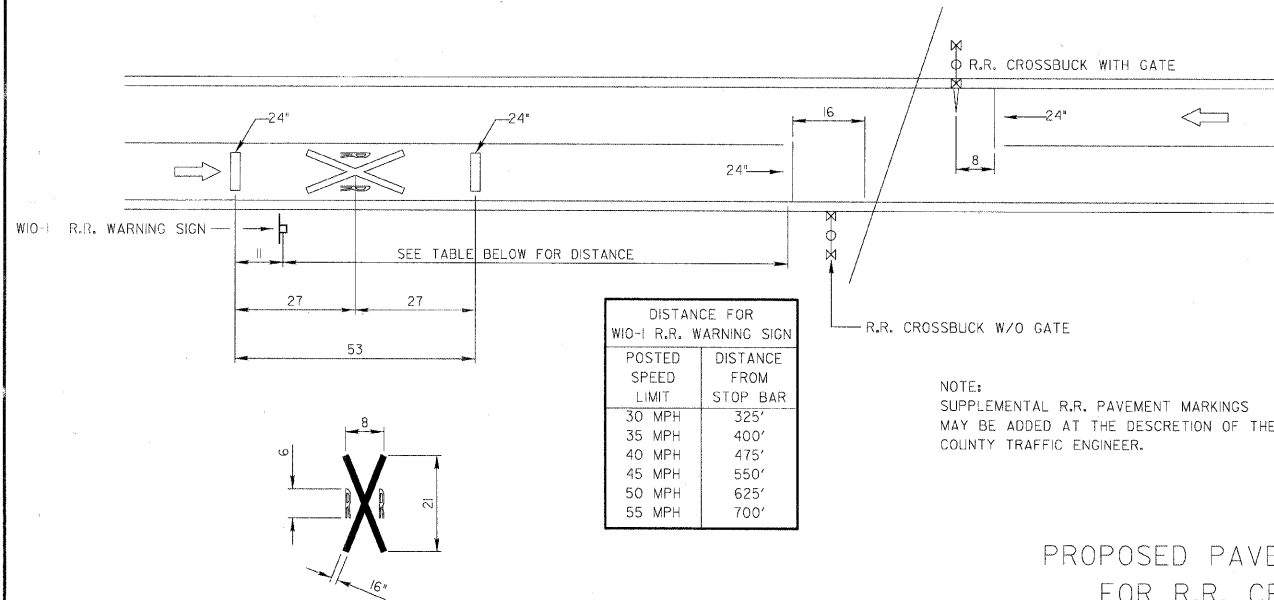


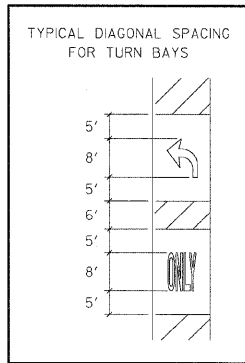
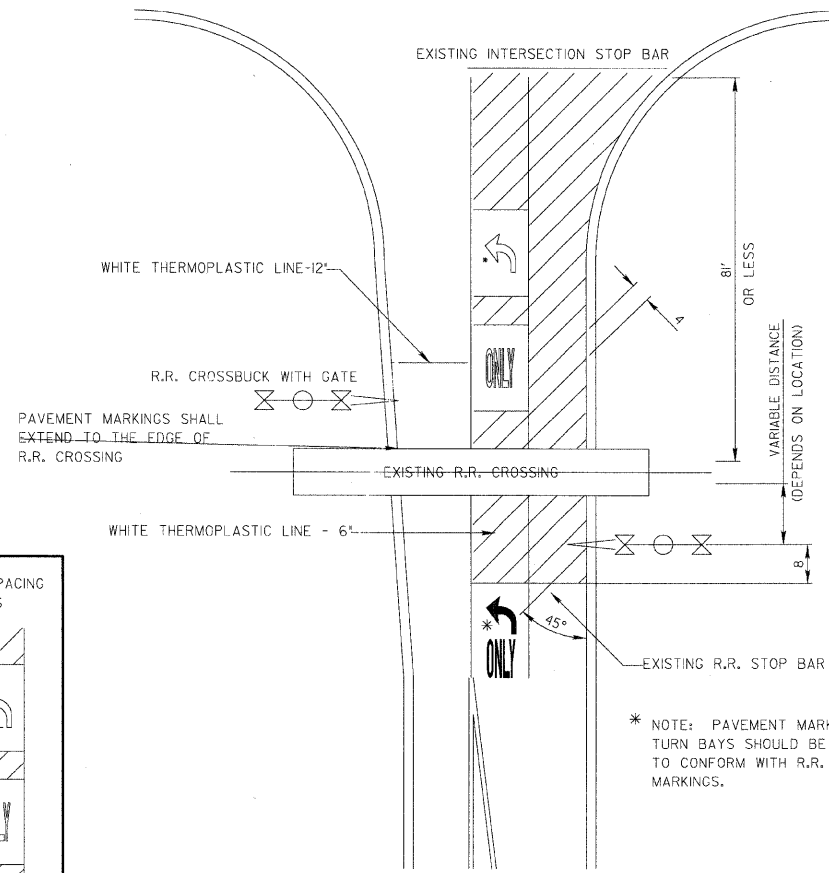
# TYPICAL RAIL ROAD RELATED PAVEMENT MARKINGS

TYPICAL PLACEMENT OF R.R. WARNING SIGNS AND PAVEMENT MARKINGS ON COUNTY HIGHWAYS

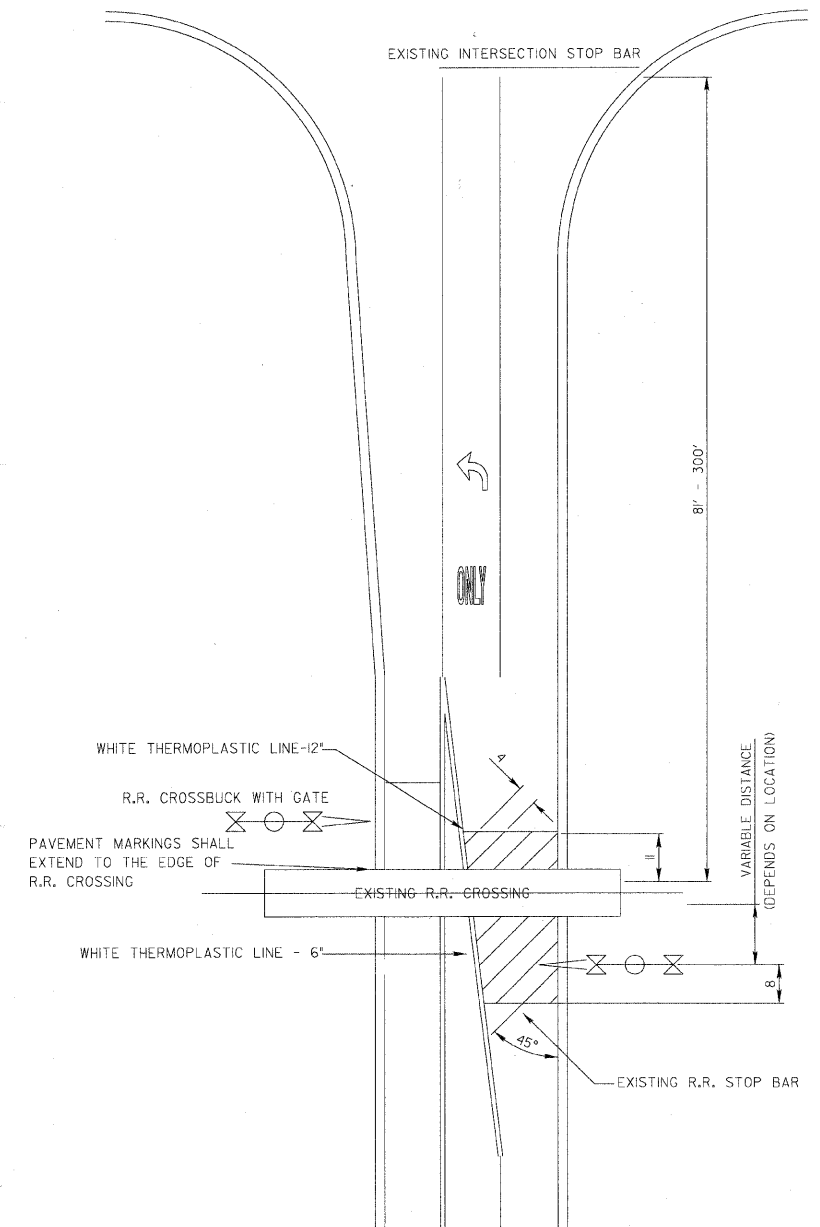


NOTE:  
SUPPLEMENTAL R.R. PAVEMENT MARKINGS  
MAY BE ADDED AT THE DESCRETION OF THE  
COUNTY TRAFFIC ENGINEER.

PROPOSED PAVEMENT MARKINGS FOR R.R. CROSSINGS AT SIGNALIZED INTERSECTIONS 81 FEET OR LESS



PROPOSED PAVEMENT MARKINGS FOR R.R. CROSSINGS AT SIGNALIZED INTERSECTIONS 81 FEET - 300 FEET



REVISIONS	DATE	APPROVED BY: A. KHAWAJA
		DATE: APRIL 1, 2007

Lake County  
Division of Transportation

TYPICAL PAVEMENT MARKINGS FOR RAILROAD CROSSINGS ON COUNTY HIGHWAYS  
SHEET 3 OF 3

NO.	DESCRIPTION	DATE	BY	SURVEYOR:
				DSGMR/LIAISON:
				PLOTTED BY:



LAKE COUNTY STANDARDS & DETAILS

ROUTE	SECTION	SECTION NUMBER	SHEET	SHEETS
CHXX	XXX	00-00047-00-FP	180	180

REVISION	DATE	REVISION	DATE
REV-5 PRE-FINAL SUB	02-20-09		
REV-2 PLANS STAGED	06-02-08		
REV-1 IDOT COMMENTS	02-03-06	PS&E SUBMITTAL	4-10-09

CONTRACT NO. 83845