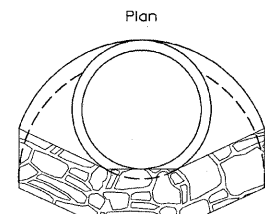
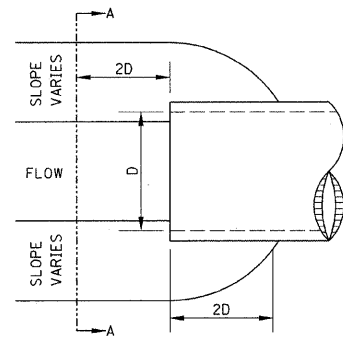
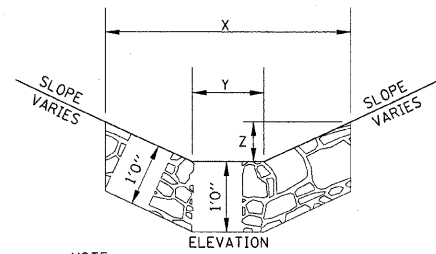


STONE RIPRAP DITCH DESIGN



Section A-A

NOTE: FOR PLACEMENT, QUALITY GRADATION AND OTHER MISCELLANEOUS REQUIREMENTS FOR STONE RIPRAP DITCH-SEE SPECIAL PROVISIONS.



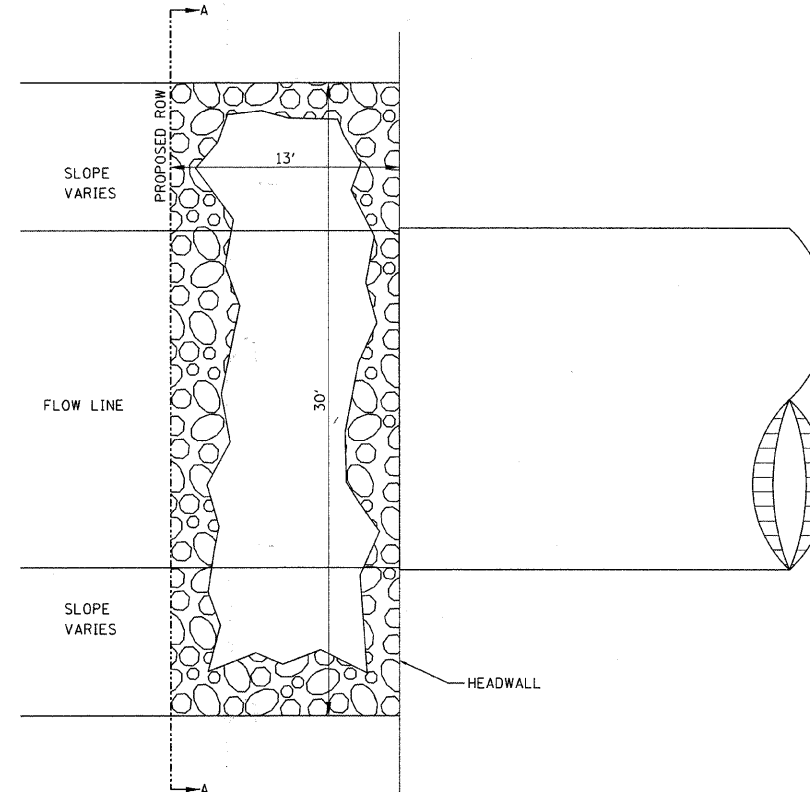
NOTE:

BOTTOM OF DITCH	SLOPE			
	1 1/2:1	2:1	3:1	
2 FT	X= 5 FT	6 FT	8 FT	
	Y= 2 FT	2 FT	2 FT	
	Z= 1 FT	1 FT	1 FT	
	0.40	0.48	0.62	TON/LIN. FT

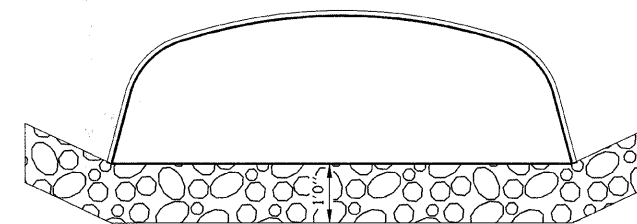
BOTTOM OF DITCH	SLOPE			
	1 1/2:1	2:1	3:1	
3 FT	X= 6 FT	7 FT	9 FT	
	Y= 3 FT	3 FT	3 FT	
	Z= 1 FT	1 FT	1 FT	
	0.48	0.56	0.70	TON/LIN. FT

BOTTOM OF DITCH	SLOPE			
	1 1/2:1	2:1	3:1	
4 FT	X= 7 FT	8 FT	10 FT	
	Y= 4 FT	4 FT	4 FT	
	Z= 1 FT	1 FT	1 FT	
	0.56	0.64	0.78	TON/LIN. FT

STONE DUMPED RIPRAP, CLASS A4 AT ALUMINUM BOX CULVERT



Plan



Section A-A

NOTE: FOR PLACEMENT, QUALITY GRADATION AND OTHER MISCELLANEOUS REQUIREMENTS FOR STONE DUMPED RIPRAP, CLASS A4-SEE SPECIAL PROVISIONS.