

STATE OF ILLINOIS
DEPARTMENT OF TRANSPORTATION
DIVISION OF HIGHWAYS

**PROPOSED
HIGHWAY PLANS**

FAP RTE 885 (IL 146)
SECTION (112,7)RS-4

PAVEMENT RESURFACING
POPE COUNTY

C-99-024-15

F.A.U. RTE.	SECTION	COUNTY	TOTAL SHEETS	SHEET NO.
885	(112,7)RS-4	POPE	9	1
		ILLINOIS	CONTRACT NO. 78459	

FOR INDEX OF SHEETS, SEE SHEET NO. 3

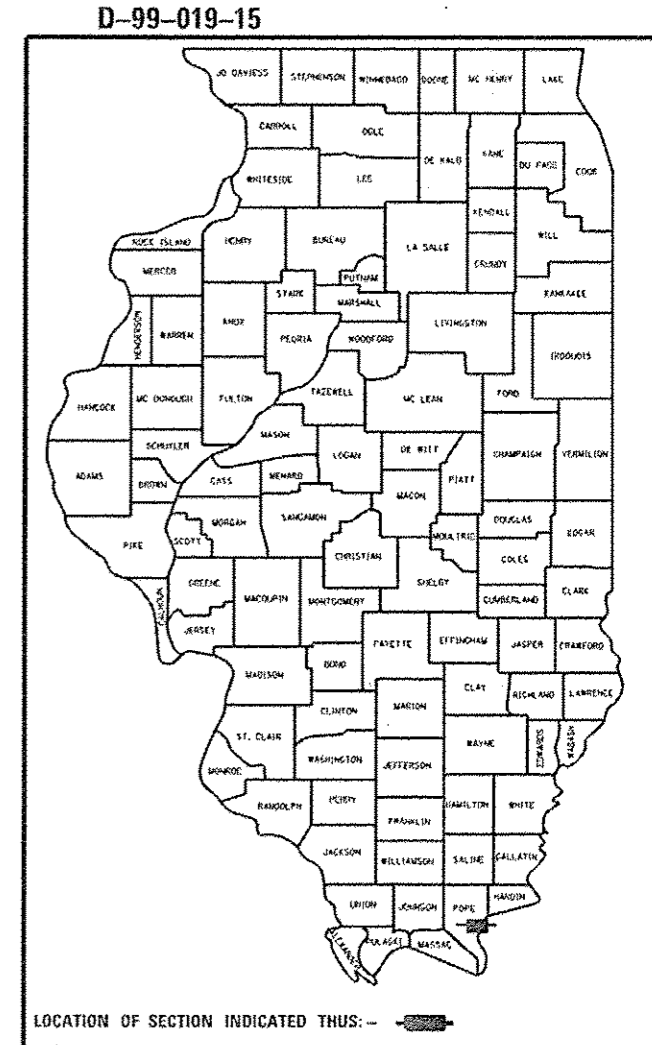
IL 146

ADT: 2250 (2013)

PC - 2010

MU - 50

SU - 190

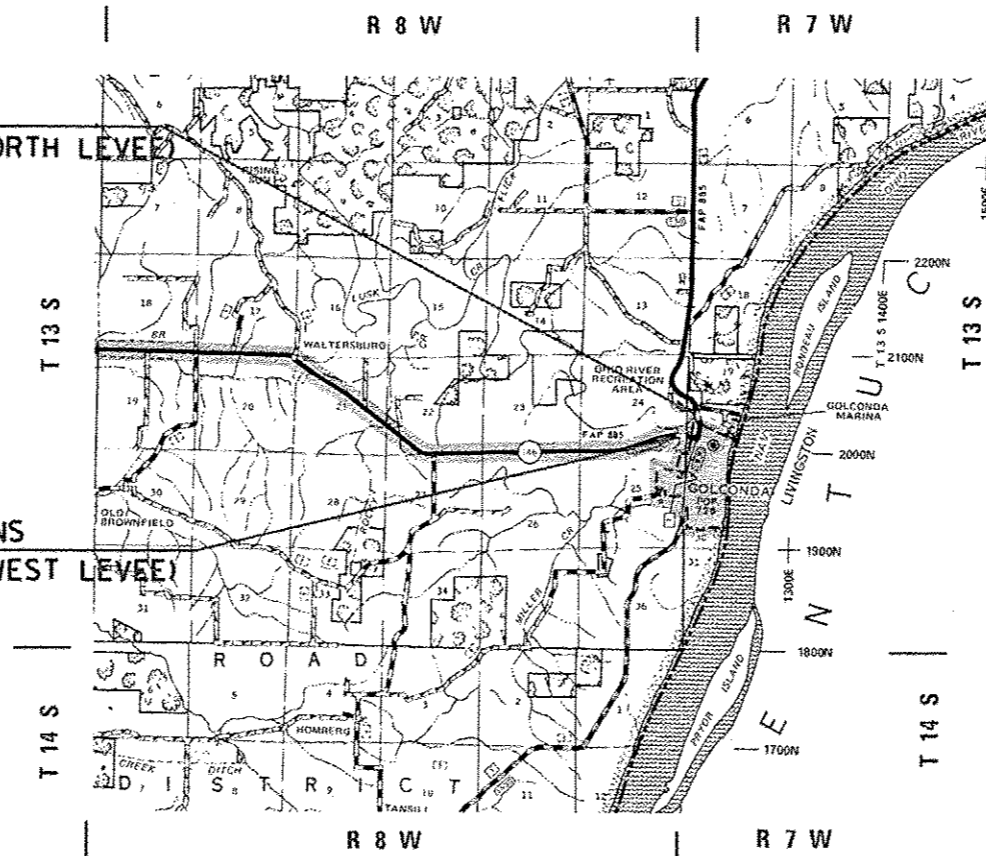


TOWNSHIP: GOLCONDA

ON IL. 146 WEST OF GOLCONDA:
EQ. STA. 1259 + 59.50 (BK.) =
STA. 1260 + 26.20 (AH.)
AT INTERSECTION OF IL. 146:
EQ. STA. 1266 + 34.00 (BK.) =
STA. 1674 + 17.60 (AH.)

PROP. IMPROVEMENT ENDS
STA. 1665+00 (IL. 146 - NORTH LEVEE)
52 FT.

PROP. IMPROVEMENT BEGINS
STA. 1261+88 (IL. 146 - WEST LEVEE)
31 FT.



FAP 885 (IL 146):
GROSS & NET LENGTH = 83 FT. = 0.016 MILE

J.U.L.I.E.
JOINT UTILITY LOCATION INFORMATION FOR EXCAVATION
1-800-892-0123
OR 811

PROJECT ENGINEER CHARLES STEIN: 618-351-5210
PROJECT DESIGNER KATHI MCCORD: 618-351-5319

CONTRACT NO. 78459

STATE OF ILLINOIS
DEPARTMENT OF TRANSPORTATION
DIVISION OF HIGHWAYS

SUBMITTED March 20 2015

Jeffrey L. Keim
DEPUTY DIRECTOR OF HIGHWAYS, REGION ENGINEER

John D. Balanzelli, P.E.
ENGINEER OF DESIGN AND ENVIRONMENT

May 8 2015
Omer Osman, P.E.
DIRECTOR OF HIGHWAYS, CHIEF ENGINEER

PRINTED BY THE AUTHORITY
OF THE STATE OF ILLINOIS

10/1/85
 10/1/85
 10/1/85

Prepared By: *Joe Zylman*
 DISTRICT STUDIES & PLANS ENGINEER
 Examined By: *Paul E.*
 DISTRICT LAND ACQUISITION ENGINEER
 Examined By: *Con. Miller*
 DISTRICT PROGRAM DEVELOPMENT ENGINEER
 Examined By: *Karl Miller*
 DISTRICT OPERATIONS ENGINEER
 Examined By: *[Signature]*
 DISTRICT PROJECT IMPLEMENTATION ENGINEER
 Examined By: _____
 DISTRICT CONSTRUCTION ENGINEER
 Examined By: _____
 DISTRICT MATERIALS ENGINEER

FILE NAME *	USER NAME = #USER#	DESIGNED -	REVISED -	STATE OF ILLINOIS DEPARTMENT OF TRANSPORTATION	SIGNATURE SHEET		F.A.P. RTE.	SECTION	COUNTY	TOTAL SHEETS	SHEET NO.				
#FILE#		DRAWN -	REVISED -		SCALE: _____	SHEET	OF	SHEETS	STA.	TO STA.	885	112.7RS-4	POPE	9	2
#MODELNAME*	PLOT SCALE * #SCALE#	CHECKED -	REVISED -												
	PLOT DATE = #DATE#	DATE -	REVISED -												
											CONTRACT NO. 78459				
											ILLINOIS FED. AID PROJECT				

INDEX OF SHEETS

GENERAL NOTES

SHEET NO.	DESCRIPTION
1	COVER SHEET
2	SIGNATURE BLOCK
3	INDEX OF SHEETS; HIGHWAY STANDARDS; GENERAL NOTES
4	TYPICAL SECTIONS
5	SUMMARY OF QUANTITIES
6	RESURFACING & PAVEMENT MARKING SCHEDULES
7	PLAN SHEETS - FAP 885 (IL 146) WEST LEVEE - STA. 1261+88
8	PLAN SHEETS - FAP 885 (IL 146) NORTH LEVEE - STA. 1665+00
9	SIGNS; UNEVEN LANES; ROUGH GROOVED SURFACE

THE QUANTITY OF SHORT TERM PAVEMENT MARKING SHOWN IN THE PLANS WAS BASED ON ONE APPLICATION EACH FOR 1 LAYER OF SURFACE TREATMENT.

PRIOR TO PLACEMENT OF THE FINAL PAVEMENT MARKINGS THE RESIDENT ENGINEER SHALL CONTACT THE BUREAU OF OPERATIONS AND ARRANGE FOR INSPECTION AND APPROVAL OF THE PAVEMENT MARKING LAYOUT.

THE CONTRACTOR SHALL PRESERVE EXISTING STAMPED STATIONING.

THE CONTRACTOR SHALL FOLLOW THE EXISTING HOT-MIX LAYOUT AS CLOSELY AS POSSIBLE. EACH INDIVIDUAL LANE SHALL BE DONE EDGE TO EDGE IN ONE PASS.

THE FIELD ENGINEER WILL DETERMINE IN THE FIELD IF ANY EXISTING RAISED REFLECTIVE PAVEMENT MARKERS WILL NEED TO BE REMOVED AND REPLACED. THIS WORK WILL BE PAID FOR ACCORDING TO ART. 104.02 IN THE STANDARD SPECIFICATIONS FOR ROAD AND BRIDGE CONSTRUCTION.

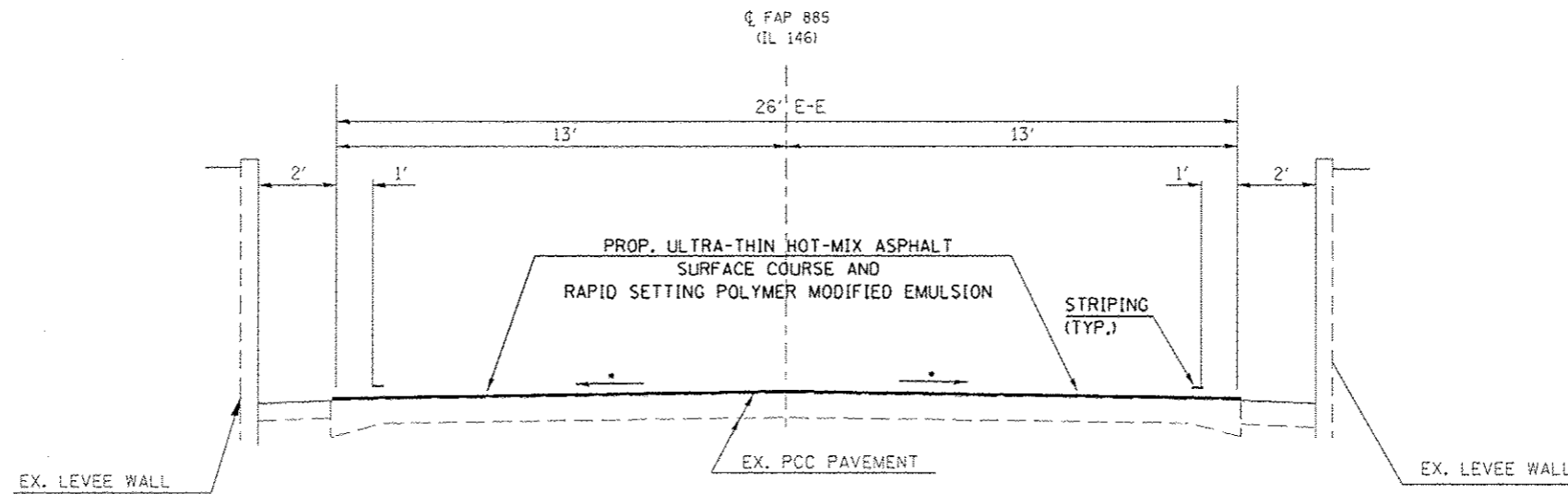
BUMP GRINDING WILL BE DONE AT THE DESCRETION OF THE ENGINEER AND PAID FOR ACCORDING TO ART. 109.04 IN THE STANDARD SPECIFICATIONS FOR ROAD AND BRIDGE CONSTRUCTION.

HIGHWAY STANDARDS

- 701201-04
- 701301-04
- 701306-03
- 701901-04
- 780001-05
- 781001-03

FILE NAME =	USER NAME = mcoorder	DESIGNED - _____	REVISED - _____	STATE OF ILLINOIS DEPARTMENT OF TRANSPORTATION	<u>INDEX OF SHEETS, STANDARDS AND GENERAL NOTES</u>	F.A.P. RTE.	SECTION	COUNTY	TOTAL SHEETS	SHEET NO.
c:\p\work\p\p\dot\mcoorder\10426054\701	59-aht-plan.dgn	DRAWN - _____	REVISED - _____			885	(112,7)RS-4	POPE	19	3
Default	PLOT SCALE = 100.0000' / 1" =	CHECKED - _____	REVISED - _____			CONTRACT NO. 78459				
	PLOT DATE = 3/16/2015	DATE - _____	REVISED - _____	SCALE: _____ SHEET _____ OF _____ SHEETS STA. _____ TO STA. _____		ILLINOIS FED. AID PROJECT				

**TYPICAL SECTION
LEVEE PAVEMENT ON IL 146**



TO BE USED:
 STA. 1261+70 TO STA. 1262+01 (WEST LEVEE)
 STA. 1664+59 TO STA. 1665+11 (NORTH LEVEE)

• MATCH EXISTING SLOPES

FILE NAME =	USER NAME = mcoardr	DESIGNED -	REVISED -	STATE OF ILLINOIS DEPARTMENT OF TRANSPORTATION	TYPICALS FOR FAP 885 AT LEVEES IN GOLCONDA	F.A.P. RTE.	SECTION	COUNTY	TOTAL SHEETS	SHEET NO.
et:\work\pvidat\mcoardr\ad426059\78	59-ent-plen.dgn	DRAWN -	REVISED -			885	112.7RS-4	POPE	9	4
Default	PLOT SCALE = 1/8" = 1' / in.	CHECKED -	REVISED -			CONTRACT NO. 78459				
	PLOT DATE = 3/16/2015	DATE -	REVISED -			ILLINOIS FED. AID PROJECT				

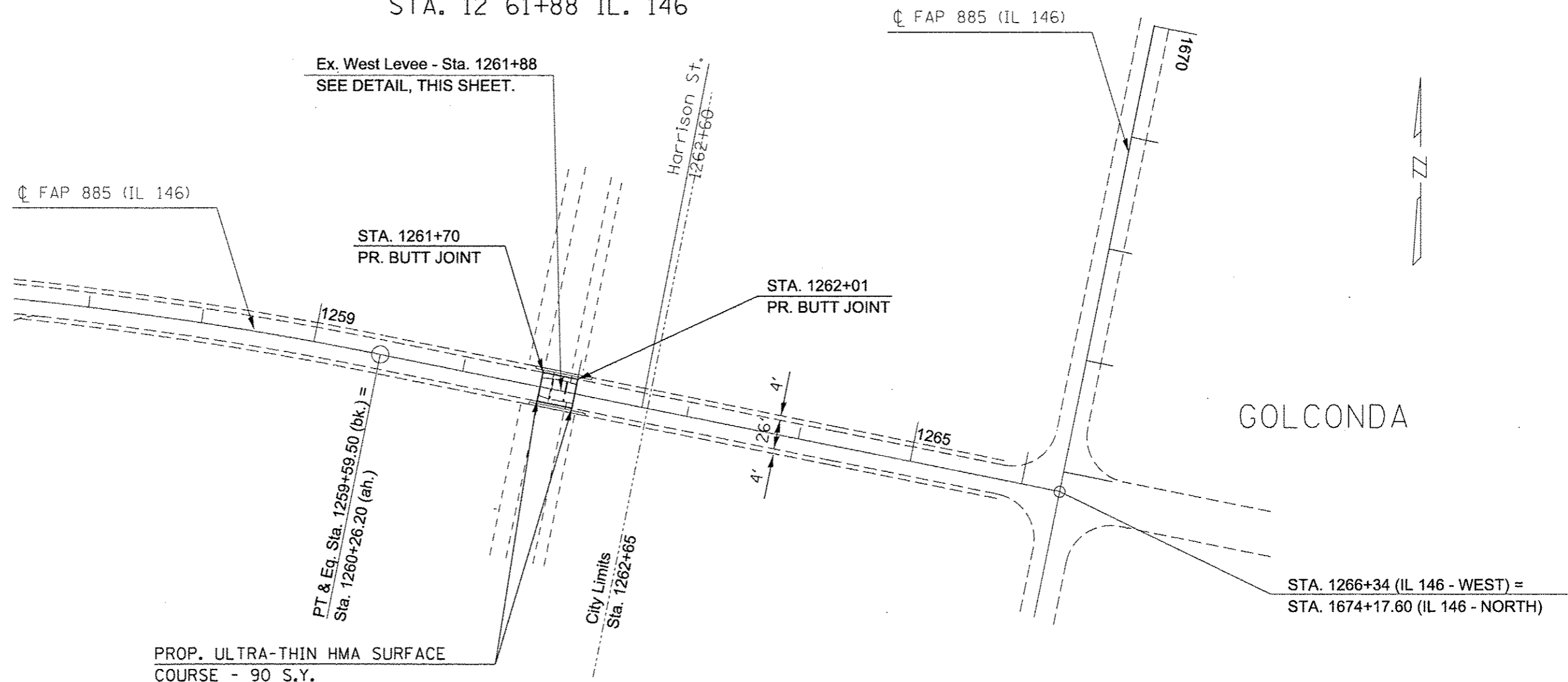
**ULTRA-THIN HMA SURFACE COURSE SCHEDULE
FAP 885 (IL 146)**

LOCATION - STATION TO STATION	LENGTH		PAVEMENT WIDTH	PAVEMENT AREA	RAPID SETTING POLY. MOD. EMULSION (GALS)	ULTRA-THIN HMA SURF. CSE. (SQ YD)
	FOR INFORMATIONAL PURPOSE ONLY					
	(FT)	(FT)	(FT)	(SQ YD)		
CL IL 146 (WEST LEVEE)						
	1261+70	TO	1262+01	31	26.0	90
CL IL 146 (NORTH LEVEE)						
	1664+59	TO	1665+11	52	26.0	150
TOTAL FAP 885 (IL 146)				83	240	240

**PAVEMENT MARKING SCHEDULE
FAP 885 (IL 146)**

STATION TO STATION	THPL PAVEMENT MARKING			TEMPORARY	NOTES	
	4 INCH WHITE (EDGE LINE)	4 INCH YELLOW (NPZ)	4 INCH (SKIP-DASH YELLOW)	4 INCH		
	FOOT	FOOT	FOOT	FOOT		
CL FAP 885 (IL 146) - WEST LEVEE						
R+	1261+70.0	To	1262+01.0	31	8	39
L+	1261+70.0	To	1262+01.0	31	31	62
CL FAP 885 (IL 146) - NORTH LEVEE						
R+	1664+59.0	To	1665+11.0	52	13	65
L+	1664+59.0	To	1665+11.0	52	52	104
TOTAL FAP 885 (IL 146)				270	270	

WEST LEVEE LOCATION
STA. 12 61+88 IL. 146

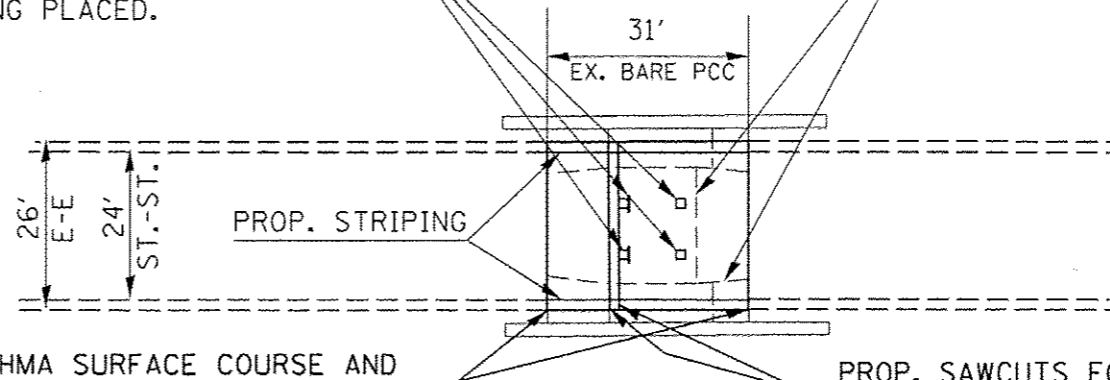


PROP. ULTRA-THIN HMA SURFACE COURSE - 90 S.Y.
 RAPID SETTING POLYMER MODIFIED EMULSION - 8 GALS.

EX. LEVEE HARDWARE TO BE PROTECTED WHILE SURFACE COURSE & EMULSION ARE BEING PLACED.

WEST LEVEE DETAIL

EX. JOINTS TO BE SEALED ACCORDING TO ULTRA-THIN HMA SURF. CSE. (SEE SPEC. PROV.)



PROP. ULTRA-THIN HMA SURFACE COURSE AND RAPID SETTING POLYMER MODIFIED EMULSION

PROP. SAWCUTS FOR LEVEE GATE TRENCHES (SEE SPEC. PROVISIONS)

FILE NAME =	USER NAME = mpcordkr	DESIGNED -	REVISED -
c:\pwork\pwork\mcoordkr\0426859\78	99-ahk-plendgn	DRAWN -	REVISED -
	PLDT SCALE = 100.0000' / 1" =	CHECKED -	REVISED -
Default	PLDT DATE = 3/16/2015	DATE -	REVISED -

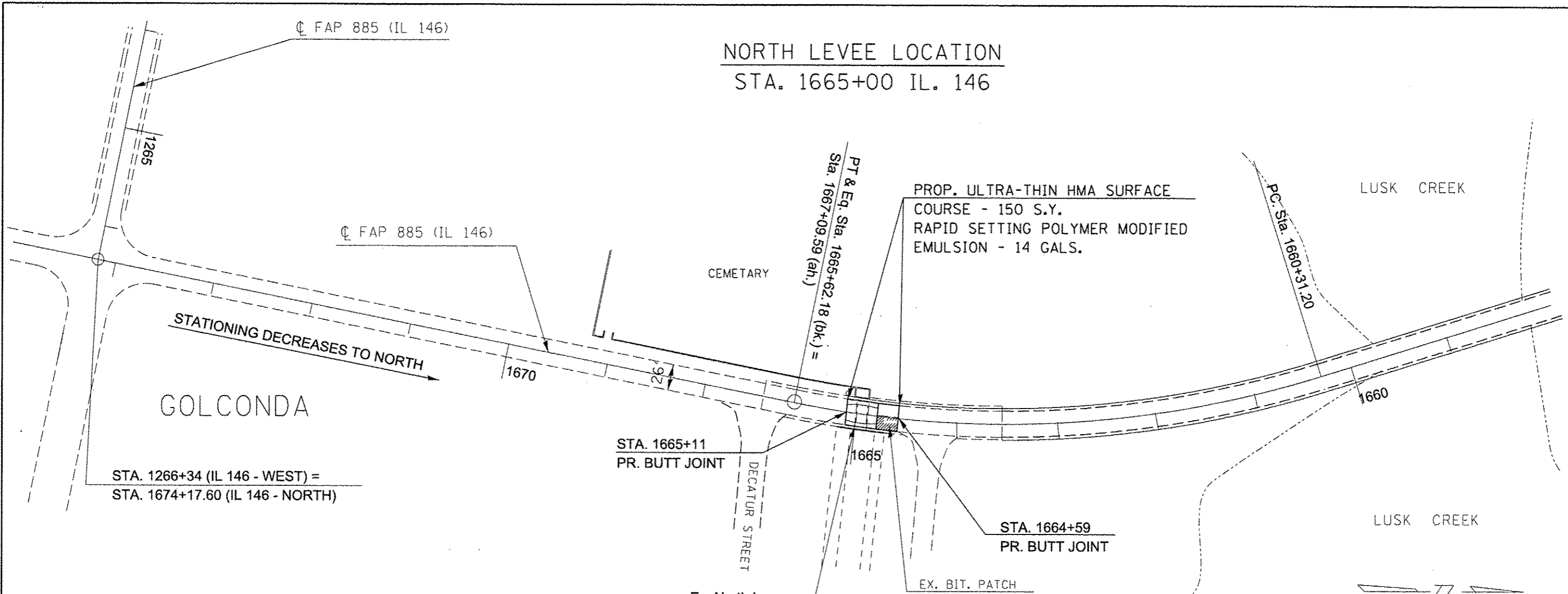
STATE OF ILLINOIS
DEPARTMENT OF TRANSPORTATION

WEST LEVEE DETAILS
ON FAP 885 (IL 146)

F.A.P. RTE.	SECTION	COUNTY	TOTAL SHEETS	SHEET NO.
885	(112,7RS-4	POPE	9	7
CONTRACT NO. 78459				
ILLINOIS FED. AID PROJECT				

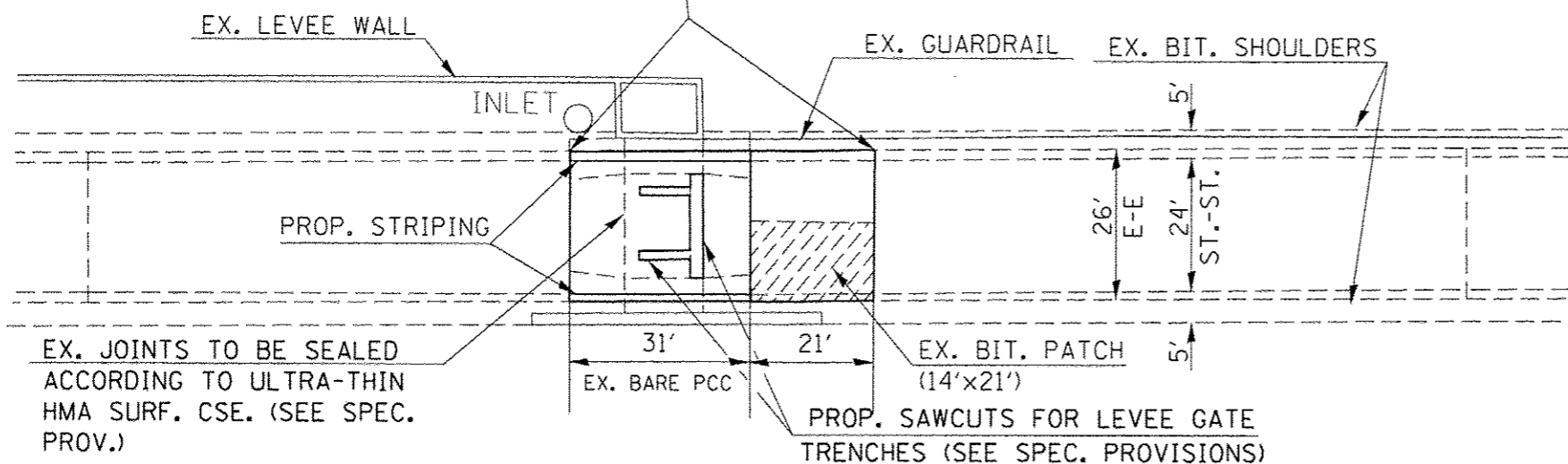
SCALE: _____ SHEET _____ OF _____ SHEETS STA. _____ TO STA. _____

NORTH LEVEE LOCATION
STA. 1665+00 IL. 146



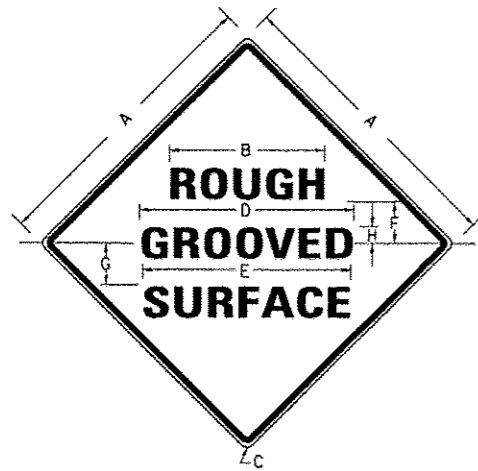
NORTH LEVEE DETAIL

PROP. ULTRA-THIN HMA SURFACE COURSE AND RAPID SETTING POLYMER MODIFIED EMULSION



FILE NAME	USER NAME	DESIGNED	REVISED	STATE OF ILLINOIS DEPARTMENT OF TRANSPORTATION	NORTH LEVEE DETAILS ON FAP 885 (IL 146)		F.A.P. RTE.	SECTION	COUNTY	TOTAL SHEETS	SHEET NO.		
ci:\pwork\pwork\pwork\mccardkr\d0426859\170459-ehs\plan\dgn	mccardkr	DRAWN	REVISED				885	(112,7RS-4)	POPE	9	8		
Default		CHECKED	REVISED				SCALE: _____ SHEET _____ OF _____ SHEETS STA. _____ TO STA. _____		CONTRACT NO. 78459 ILLINOIS FED. AID PROJECT				
		DATE	REVISED										

ILLINOIS STANDARD



COLORS:

LEGEND AND BORDER- BLACK NON-REFLECTORIZED
BACKGROUND- ORANGE REFLECTORIZED

SIGN SIZE	DIMENSIONS							
	A	B	C	D	E	F	G	H
48X48	48.0	24.1	3.0	34.0	33.0	6.0	13.0	3.5

SIGN SIZE	SERIES LINES			MAR-GIN	BOR-DER	BLANK STD.
	1	2	3			
48X48	7C	7C	7C	0.8	1.2	B4-48D

ALL DIMENSIONS IN INCHES

NOTES:

PRIOR TO ALLOWING TRAFFIC ON ANY PORTION OF THE ROADWAY THAT HAS BEEN COLDMILLED, THE CONTRACTOR SHALL HAVE ERECTED "ROUGH GROOVED SURFACE" SIGNS THAT CONFORM TO THE ABOVE DETAILS. A MINIMUM OF ONE SIGN AT EACH END OF THE IMPROVEMENT WILL BE REQUIRED. THE CONTRACTOR SHALL MAINTAIN THE "ROUGH GROOVED SURFACE" SIGNS UNTIL THE COLDMILLED SURFACE IS COVERED WITH LEVELING BINDER OR SURFACE COURSE.

IF AT ANY TIME THE SIGNS ARE IN PLACE BUT NOT APPLICABLE, THEY SHALL BE TURNED FROM THE VIEW OF MOTORISTS OR COVERED AS DIRECTED BY THE ENGINEER.

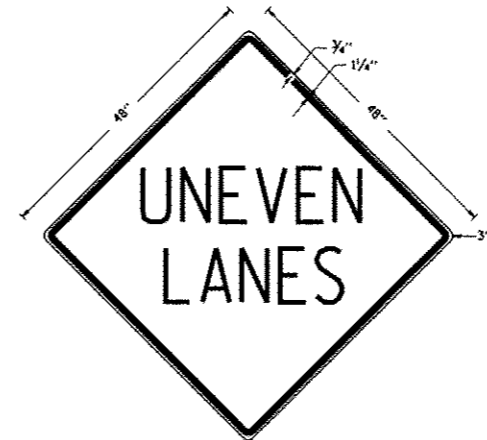
THE COST OF FURNISHING, ERECTING, MAINTAINING, AND REMOVING THE REQUIRED SIGNS SHALL BE INCLUDED IN THE CONTRACT.

STD. 9-39

REVISIONS	
REDRAWN	2-15-89
REVISED	4-6-93
REVISED	3-27-08
REVIEWED	5-17-13

UNEVEN LANES SIGN

W8-11 (48" x 48")



COLORS:

LEGEND AND BORDER - BLACK NON-REFLECTORIZED
BACKGROUND - ORANGE REFLECTORIZED

NOTE: PRIOR TO ALLOWING TRAFFIC ON ANY PORTION OF THE ROADWAY THAT HAS BEEN COLDMILLED OR BEFORE RESURFACING OPERATIONS BEGIN, THE CONTRACTOR SHALL HAVE ERECTED "UNEVEN PAVEMENT" SIGNS THAT CONFORM TO THE ABOVE DETAILS. A MINIMUM OF ONE SIGN AT EACH END OF THE IMPROVEMENT WILL BE REQUIRED. THE CONTRACTOR SHALL MAINTAIN THE "UNEVEN PAVEMENT" SIGNS UNTIL THE RESURFACING OPERATIONS ARE COMPLETED.

IF AT ANY TIME THE SIGNS ARE IN PLACE BUT NOT APPLICABLE, THEY SHALL BE TURNED FROM THE VIEW OF MOTORISTS OR COVERED AS DIRECTED BY THE ENGINEER.

THE COST OF FURNISHING, ERECTING, MAINTAINING, AND REMOVING THE REQUIRED SIGNS SHALL BE INCLUDED IN THE CONTRACT.

REVISIONS

DRAWN	2-15-89
REVISED	4-06-93
REDESIGNED	7-23-04
RESIZED	5-08-08
REVIEWED	5-17-13

STD. 9-41

STATE OF ILLINOIS
DEPARTMENT OF TRANSPORTATION

DETAIL: UNEVEN LANES SIGN;
ROUGH GROOVED SURFACE SIGN

F.A.P. RTE.	SECTION	COUNTY	TOTAL SHEETS	SHEET NO.
885	(112,7)RS-4	POPE	9	9

CONTRACT NO. 78459

FILE NAME	USER NAME	DESIGNED	REVISIONS
c:\pwwork\pvidot\mccordr\id0426059\78459.sht.plt.dgn	mccordr	-	-
PLOT SCALE = 100.0000" / 1"		CHECKED -	REVISIONS -
PLOT DATE = 3/16/2019		DATE -	REVISIONS -

SCALE: SHEET NO. OF SHEETS STA. TO STA.

ILLINOIS FED. AID PROJECT