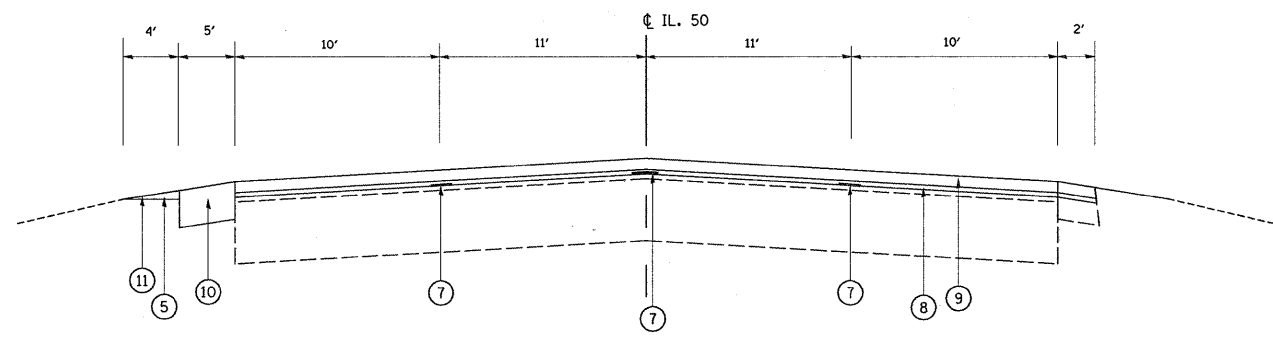


EXISTING TYPICAL SECTION
 IL. ROUTE 50 (GOVERNORS HIGHWAY)
 STA. 35+66.7 TO 36+67.1



PROPOSED TYPICAL SECTION
 IL. ROUTE 50 (GOVERNORS HIGHWAY)
 STA. 35+66.7 TO 36+67.1

LEGEND:

- ① EXISTING PCC PAVEMENT (7")
- ② EXISTING HMA SURFACE AFTER MILLING (3/4 ")±
- ③ EXISTING HMA SHOULDER
- ④ EXISTING AGGREGATE SHOULDER
- ⑤ PROPOSED GRADING & SHAPING SHOULDERS
- ⑥ PROPOSED HMA SURFACE REMOVAL (2 1/4 ")
- ⑦ PROPOSED STRIP REFLECTIVE CRACK CONTROL TREATMENT
- ⑧ PROPOSED LEVELING BINDER (MACHINE METHOD), MIX "C", N50, (3/4 ")
- ⑨ PROPOSED HMA SURFACE COURSE MIX "D", N50, (1 1/2 ")
- ⑩ PROPOSED HMA SHOULDER, (8")
- ⑪ PROPOSED AGGREGATE WEDGE SHOULDER, TYPE B, (2 1/4 ")

FILE NAME =
 c:\projects\dl01904\sh_rdwg.dgn

USER NAME = aukg
 PLOT SCALE = 50.0000 ' / IN.
 PLOT DATE = 8/26/2008

DESIGNED -
 DRAWN -
 CHECKED -
 DATE -

REVISED -
 REVISED -
 REVISED -
 REVISED -

STATE OF ILLINOIS
 DEPARTMENT OF TRANSPORTATION

IL. RTE. 50 (I.C. RR TO WILSON STREET)
 TYPICAL SECTIONS

SCALE: SHEET NO. OF SHEETS STA. TO STA.

F.A.P. RTE.	SECTION	COUNTY	TOTAL SHEETS	SHEET NO.
840	143RS-2	WILL	15	5
CONTRACT NO. 62658				
FED. ROAD DIST. NO. ILLINOIS FED. AID PROJECT				