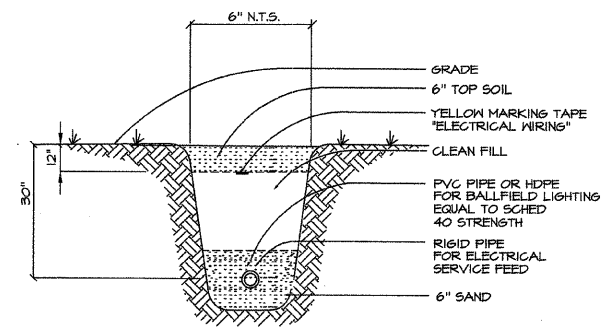
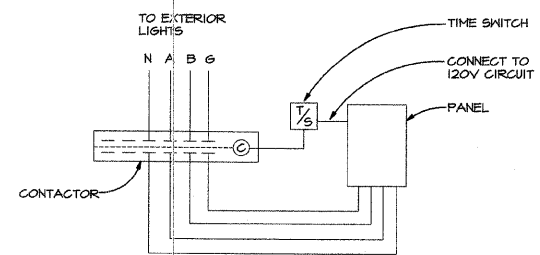


DATE	BY
6-18-08	JFG
6-24-08	JFG
7-18-08	JFG
7-25-08	JFG



ELECTRICAL TRENCH DETAIL
SCALE: N. T. S.



EXTERIOR WIRING DIAGRAM
SCALE: N. T. S.

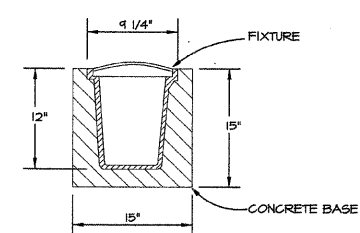
PANEL	LP	VOLTS	120/240	PHASE	1Ø3Ø
AMPS	60A	MAIN	60A MCB	A.I.C.	10,000
LOCATION	VERIFY WITH OWNER		MOUNTING	SURFACE	

CKT. #	POLE	TRIP	MISC	C.D.	LTS	LOCATION	KVA	KVA	LOCATION	LTS	C.D.	MISC	TRIP	POLE	CKT. #
1	2					NIGHT LIGHTING	2.76	3.84	PARKING LOT LIGHTING					2	2
3		20												20	4
5	1	20				SPACE	-	-	SPACE					20	6
7	1	20				SPACE	-	-	SPACE					20	8
9	1	20				SPACE	-	-	SPACE					20	10
11	1	20				SPACE	-	-	SPACE					20	12

TOTAL = 2.76 3.84 = TOTAL
TOTAL KVA = 6.60 TOTAL AMPS = 27.50

- NOTES:
- ALL C/B'S SERVING HVAC EQUIPMENT SHALL BE HACR RATED.
 - ALL C/B'S SERVING EM/FL LIGHTING SHALL HAVE LOCK-ON DEVICE.
 - ALL C/B'S USED FOR SWITCHING OF LIGHTS SHALL BE SWITCH DUTY RATED.

- OPERATIONAL SEQUENCE**
- ELECTRONIC TIME CLOCK AND PHOTOCELL ENERGIZES 120V CONTROL CIRCUIT TO WP PUSHBUTTON STATION AT EACH TENNIS COURT.
 - DEPRESSING WP PUSHBUTTON AT TENNIS COURT CLOSSES CONTACT ON TIMER, HOURMETER AND LIGHTING CONTACTOR TURNING ON TENNIS COURT LIGHTS. TIMER BEGINS DUAL COUNTDOWN; HOUR DURATION FOR TENNIS COURT LIGHTING TO REMAIN ON AND 55 MINUTES DURATION AT WHICH TIME THE LIGHTING RELAY IS ENERGIZED CAUSING THE RED BEACON LIGHT TO BEGIN FLASHING FOR A LENGTH OF 5 MINUTES.



DETAIL - FLAG POLE LIGHT
SCALE: N. T. S.

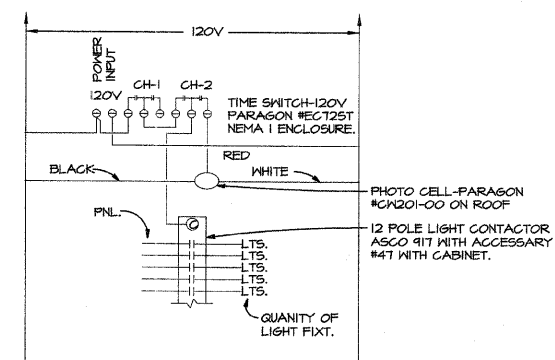


DIAGRAM-PHOTO-CELL ON TIME SWITCH OFF
SCALE: N. T. S.

EQUIPMENT LIST						
QTY	LOCATION	SIZE	GRADE ELEVATION	MOUNTING HEIGHT	LAMP TYPE	RTY / POLE
1	A	16'	-	16'	400W	2
1	B	16'	-	16'	400W	2
1	C	16'	-	16'	400W	1
1	D	16'	-	16'	400W	1
1	E	16'	-	16'	400W	2
1	F	16'	-	16'	400W	2
1	G	16'	-	16'	400W	1
1	H	1'	-	FLUSH	150W	1
1	I	10'	-	10'	400W	1
1	J	10'	-	10'	400W	1
1	K	10'	-	10'	400W	1
TOTALS						15

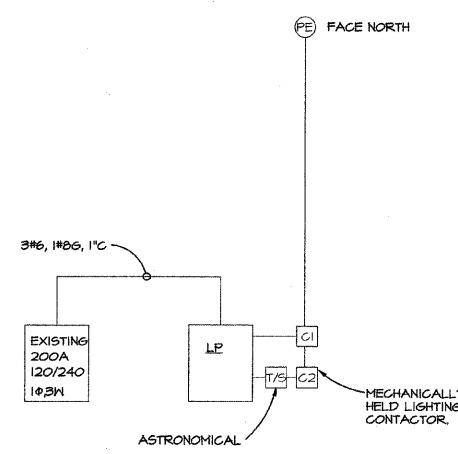
* THIS STRUCTURE UTILIZES A BACK-TO-BACK MOUNTING CONFIGURATION

W-T CIVIL ENGINEERING, LLC.
CIVIL AND STRUCTURAL ENGINEERS
2875 Palum Avenue
Hoffman Estates, Illinois 60132
PH: (224) 293-8333 FAX: (224) 293-8444
www.wengineering.com
IL License No.: 184-003492 Exp: 04/30/09

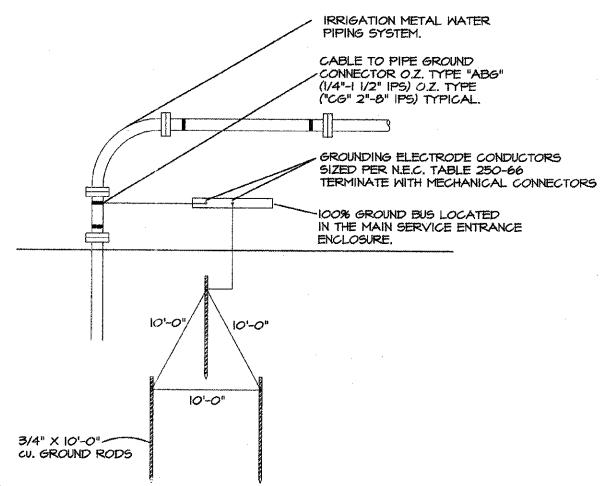


SPRING ROCK PARK
CENTRAL AVE & 47TH ST
WESTERN SPRINGS, IL

SITE ELECTRICAL DETAILS



DETAIL - GROUNDING ELECTRODE SYSTEM
SCALE: N. T. S.



DETAIL-TYPICAL LIGHT POLE STANDARD
SCALE: N. T. S.