

BENCHMARK: CHISLED SQUARE ON THE SOUTH FACE OF THE NORTHEAST CORNER
ELEV. = 100.00

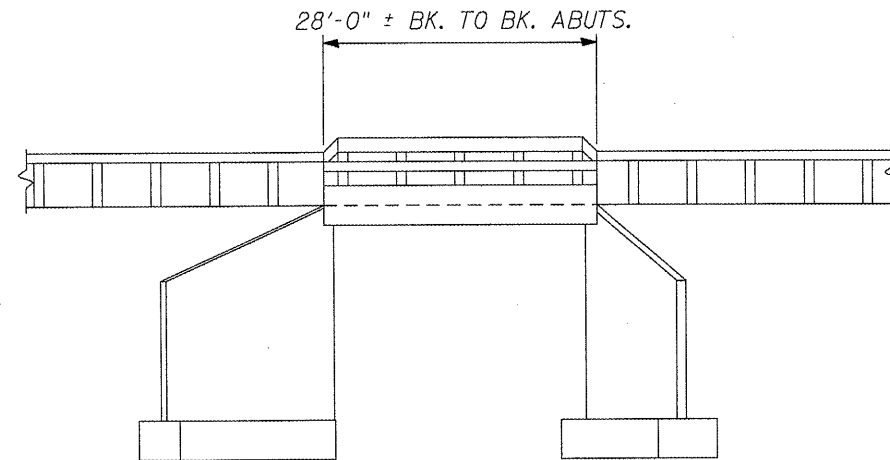
EXISTING STRUCTURE: SN 062-0014 IS A 40'-0" WIDE BY 28'-0" LONG R.C. SLAB. THE SUBSTRUCTURE CONSISTS OF R.C. ABUTMENTS AND WINGWALLS.

ROUTE NO.	SECTION	COUNTY	TOTAL SHEETS	SHEET NO.
VAR	*	VAR	66	35
FED. ROAD DIST. NO. 4		ILLINOIS	FED. AID PROJECT	

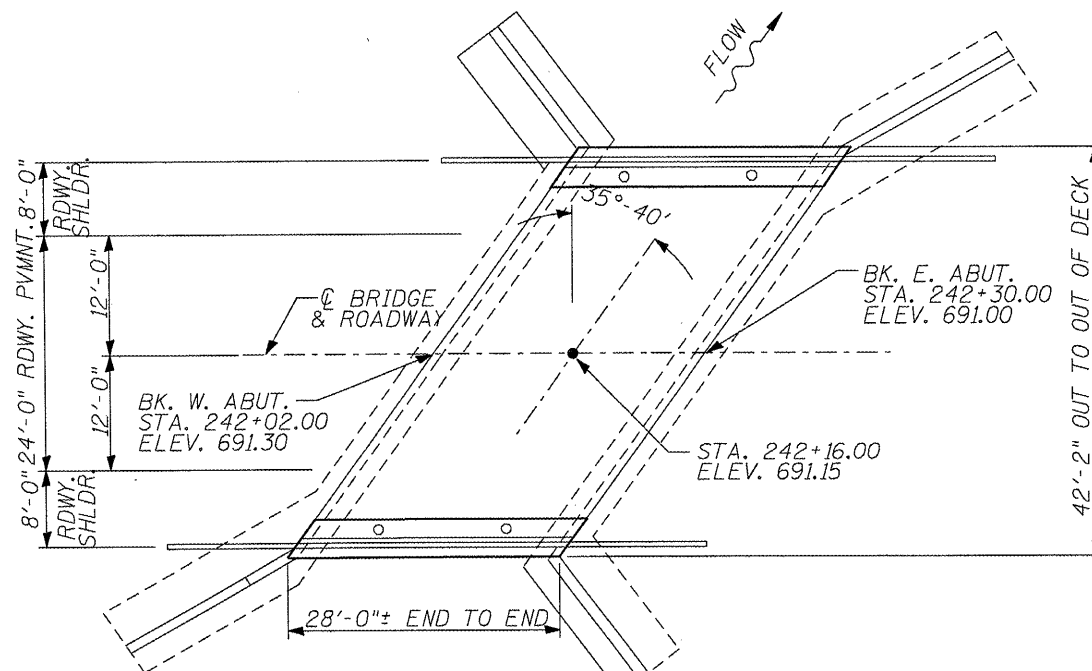
*** D4 SCOUR MITIGATION 2006**

INDEX OF SHEETS

SHEET NUMBER	DESCRIPTION
1	GENERAL PLAN AND PROFILE, SUMMARY OF QUANTITIES, LOCATION MAP
2	R.O.W. PLAN
3	PROPOSED SITE PLAN
4	SITE PROFILE
5-7	SITE CROSS SECTIONS



ELEVATION

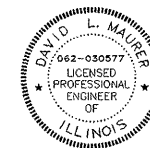


PLAN

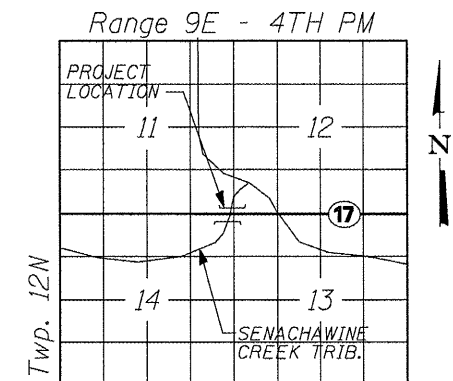
EXISTING BRIDGE

BILL OF MATERIALS

ITEM	UNIT	TOTAL
CHANNEL EXCAVATION	CU YD	89
STONE RIP-RAP, CLASS A5	TONS	550
FILTER FABRIC	SQ YD	324
REMOVE AND REPLACE STEEL PLATE GUARD RAIL, TYPE A	FOOT	50
DEWATERING STRUCTURE NO. 4	EACH	1



David L. Maurer, P.E.
Exp. Date 11/2009
P.E. No.: 062-030577



LOCATION SKETCH

WATERWAY/SCOUR INFORMATION

DESIGN FLOOD	100 YRS
DRAINAGE AREA	1.7 SQ MI
FLOW	1,420 CFS
FLOW DEPTH	8.96 FT
REQUIRED OPENING	200 SQ FT
PROVIDED OPENING	348 SQ FT
CONTRACTION SCOUR DEPTH	7 FT

ILLINOIS DEPARTMENT OF TRANSPORTATION
GENERAL PLAN & ELEVATION
S.N. 062-0014
F.A.P. 645 (IL. 17) OVER
SENACHAWINE CREEK TRIBUTARY
MARSHALL COUNTY
SHEET 1 OF 7