

ROUTE NO.	SECTION	COUNTY	TOTAL SHEETS	SHEET NO.
VAR	*	VAR	66	65
FED. ROAD DIST. NO. 4		ILLINOIS	FED. AID PROJECT	

*** D4 SCOUR MITIGATION 2006**

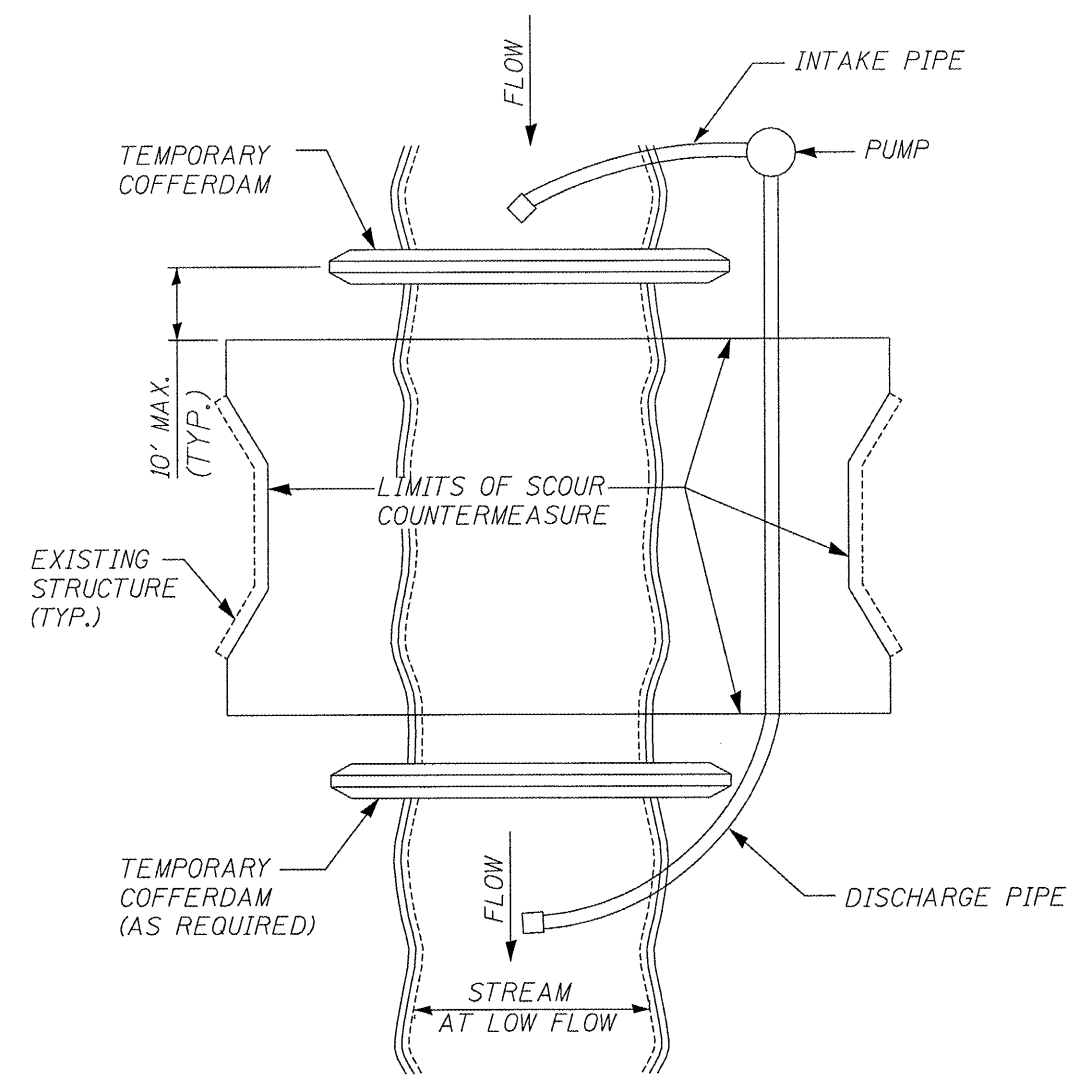


FIGURE D1. TEMPORARY COFFERDAM WITH PUMP BYPASS

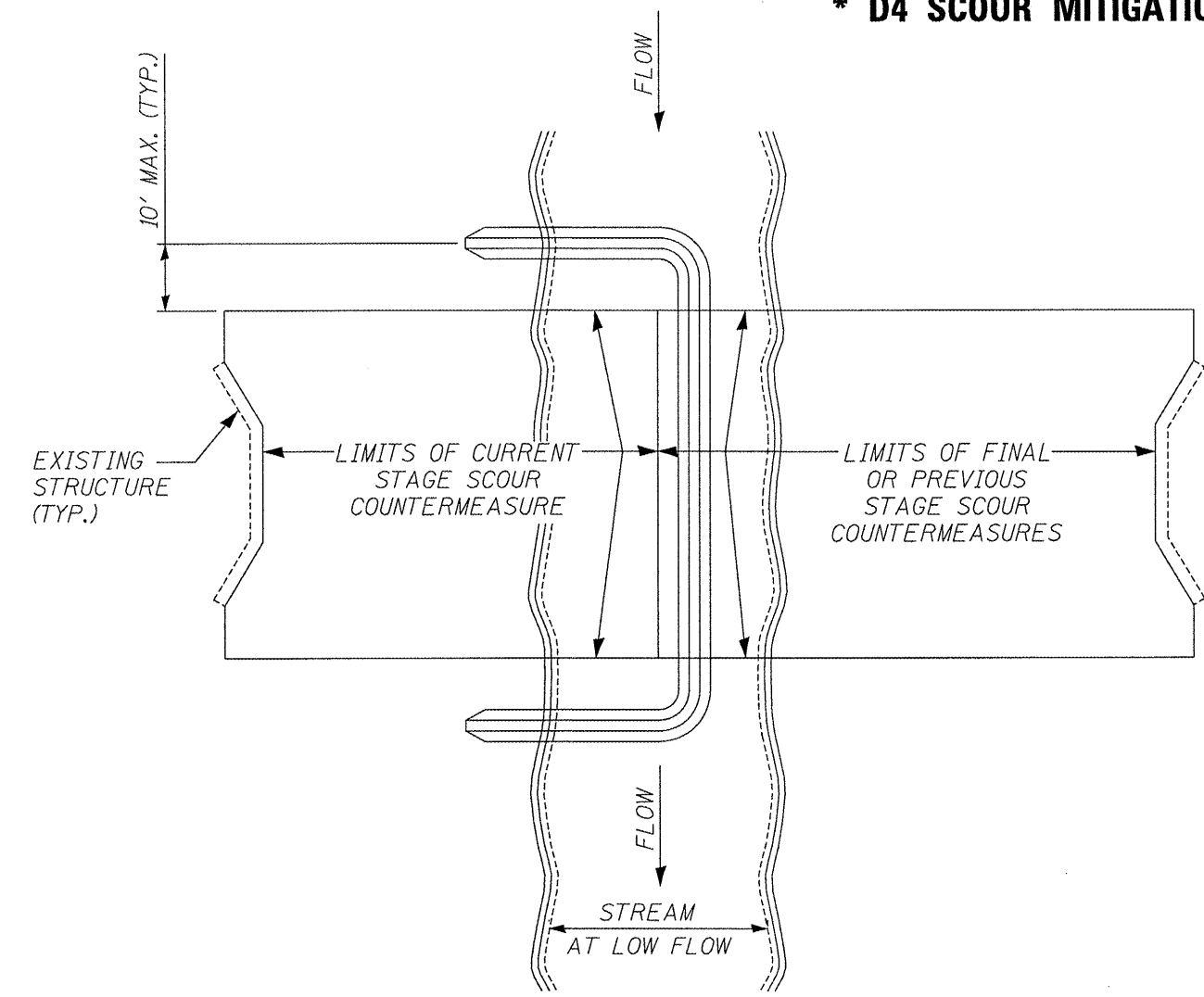


FIGURE D2. STAGED IN-STREAM COFFERDAM DIVISION

NOTE: DEWATERING SYSTEM DETAILS SHALL BE USED IN CONJUNCTION WITH THE PROJECT SPECIAL PROVISIONS.

ILLINOIS DEPARTMENT OF TRANSPORTATION
 DEWATERING SYSTEM DETAILS
 SECTION D4 SCOUR
 MITIGATION 2006
 VARIOUS ROUTES
 VARIOUS COUNTIES