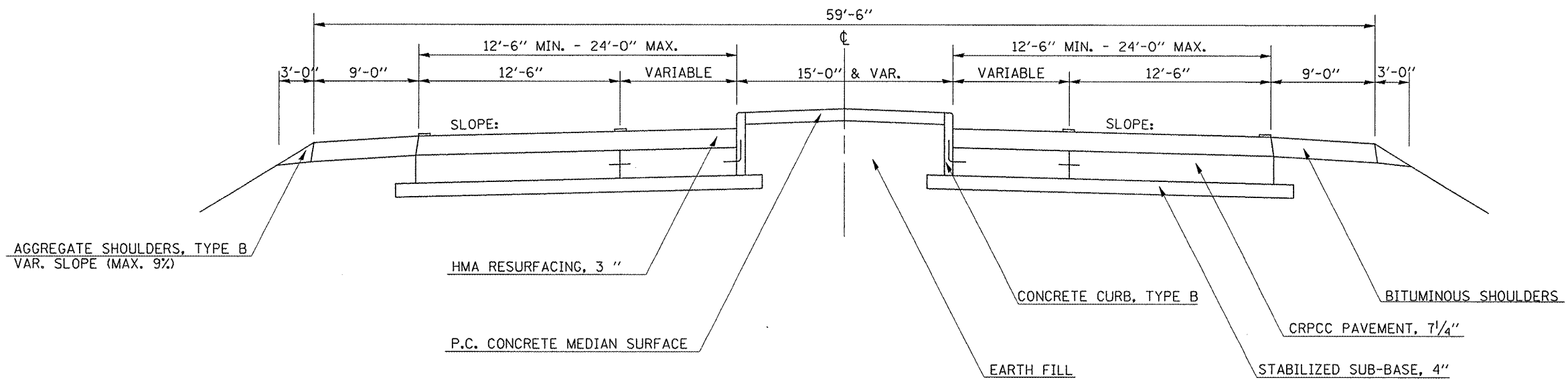


EXISTING TYPICAL CROSS SECTION

STATION TO STATION
50+51.00 60+00.00



FILE NAME = c:\projects\0570733\70733plans.dgn	USER NAME = craigre	DESIGNED -	REVISED -	STATE OF ILLINOIS DEPARTMENT OF TRANSPORTATION	EXISTING TYPICAL CROSS SECTION	F.A. RTE.	SECTION	COUNTY	TOTAL SHEETS	SHEET NO.
		DRAWN -	REVISED -			749	(15,21-25)I	DOUGLAS	8	5
	PLOT SCALE = 40.0000' / IN.	CHECKED -	REVISED -			CONTRACT NO. 70733				
	PLOT DATE = 7/11/2008	DATE -	REVISED -		SCALE:	SHEET NO.	OF	SHEETS	STA.	TO STA.
						FED. ROAD DIST. NO. ILLINOIS FED. AID PROJECT				