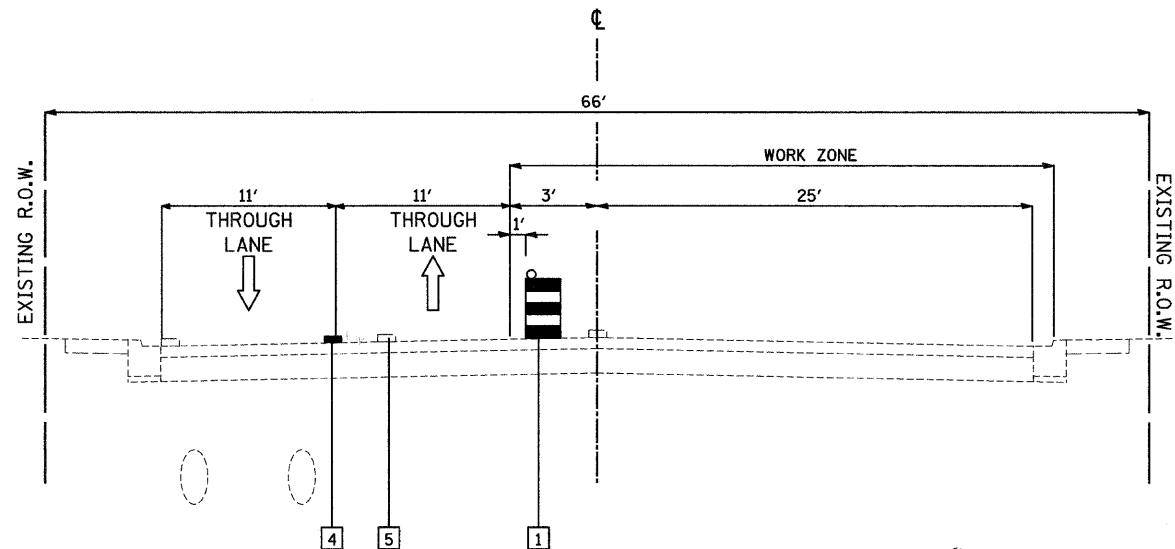
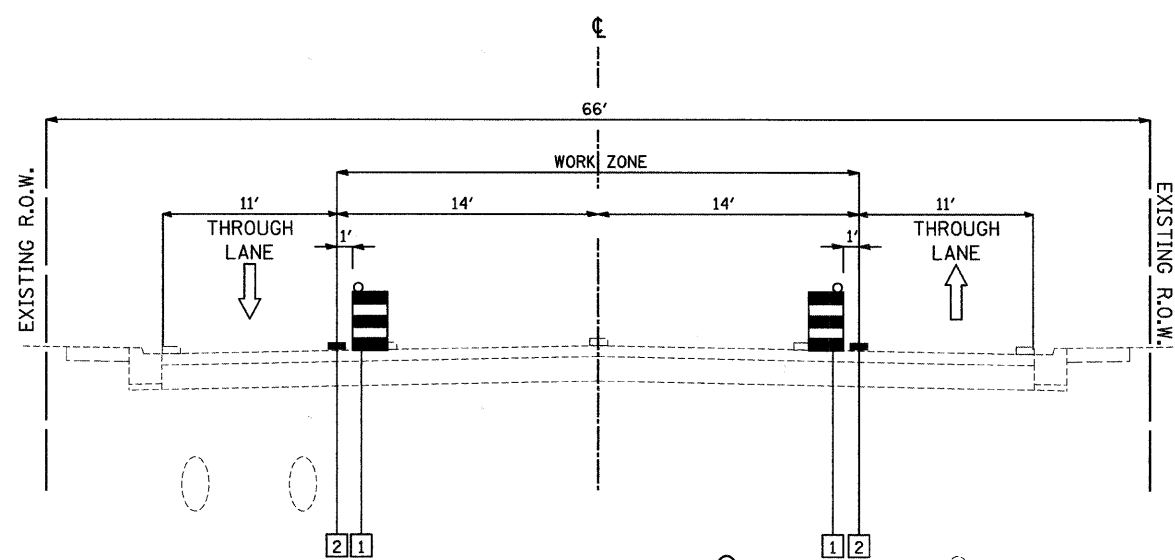


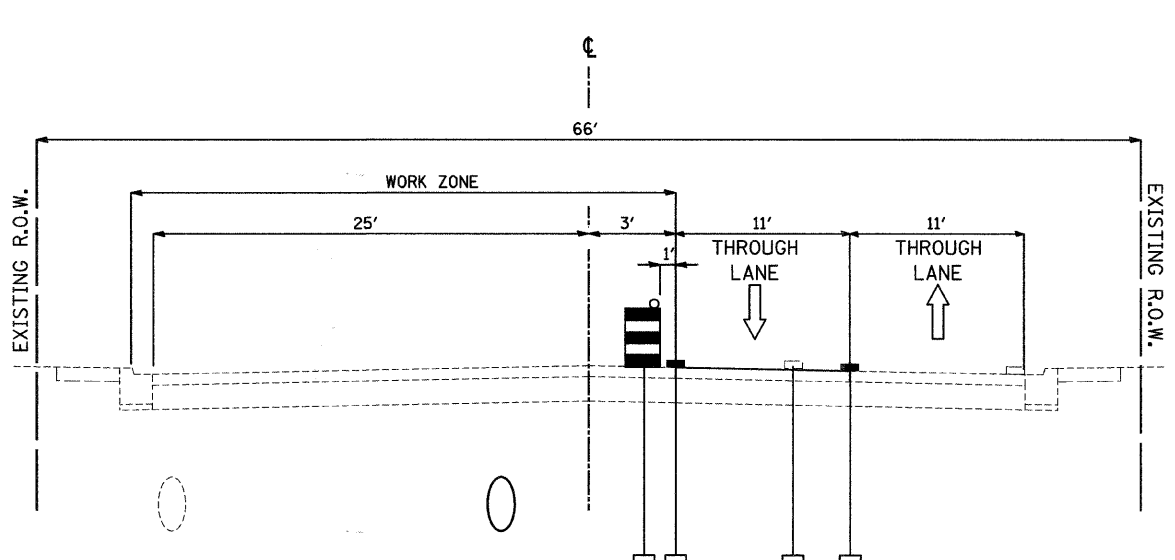
STAGE 1
MARTIN LUTHER KING JR. DRIVE
STA. 208+00 TO STA. 213+45
STA. 241+72 TO STA. 265+40



STAGE 1
MARTIN LUTHER KING JR. DRIVE
STA. 213+45 TO STA. 241+72



STAGE 1A
MARTIN LUTHER KING JR. DRIVE
STA. 208+00 TO STA. 265+40



STAGE 2
MARTIN LUTHER KING JR. DRIVE
STA. 208+00 TO STA. 267+00

- LEGEND**
- 1 BARRICADE OR DRUM WITH STEADY BURNING LIGHT
 - 2 PAVEMENT MARKING TAPE, TYPE III-(4 INCH), YELLOW
 - 3 PAVEMENT MARKING TAPE, TYPE III-(4 INCH), WHITE
 - 4 PAVEMENT MARKING TAPE, TYPE III-(4 INCH), DOUBLE YELLOW @ 11" C-C
 - 5 PAVEMENT MARKING REMOVAL (LINE)

DATE: 6/30/2008
DRAWN BY: BWS
FILENAME: N:\PROJ\05161\Design\MOT\5161-MOT-Typ-sections.dgn

REVISIONS	
NAME	DATE

Clorba Group, Inc.
CONSULTING ENGINEERS
5507 North Cumberland Avenue, Suite 402 Chicago, Illinois 60656
Tel. 773.775.4009 Fax 773.775.4014 Email chicago@clorba.com

CITY OF NORTH CHICAGO
MARTIN LUTHER KING JR. DRIVE IMPROVEMENTS

TRAFFIC CONTROL
AND PROTECTION
TYPICAL SECTIONS

SCALE: N.T.S. DRAWN BY: BWS
DATE: APRIL, 2008 CHECKED BY: MJL