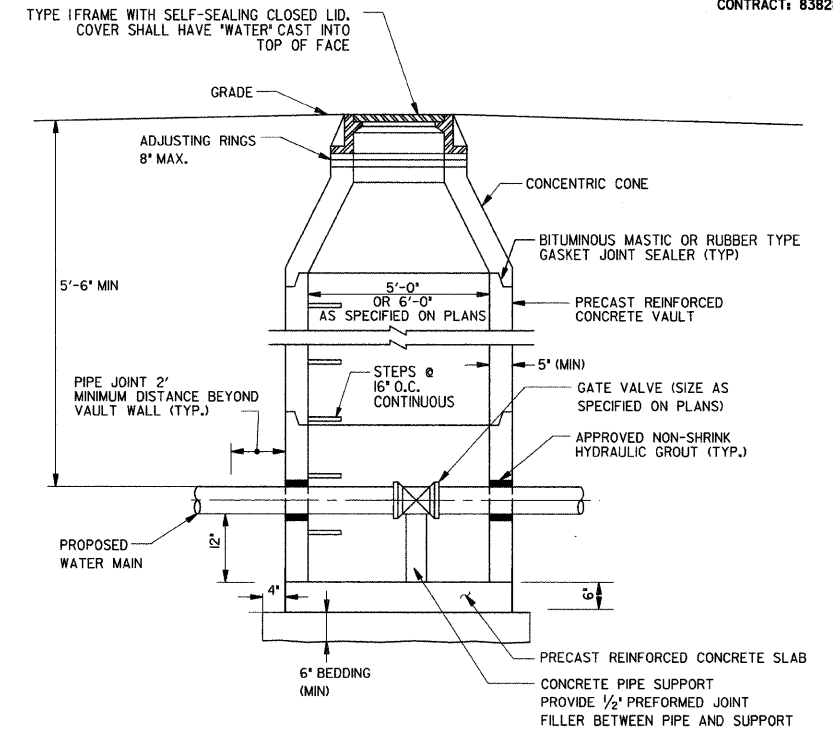
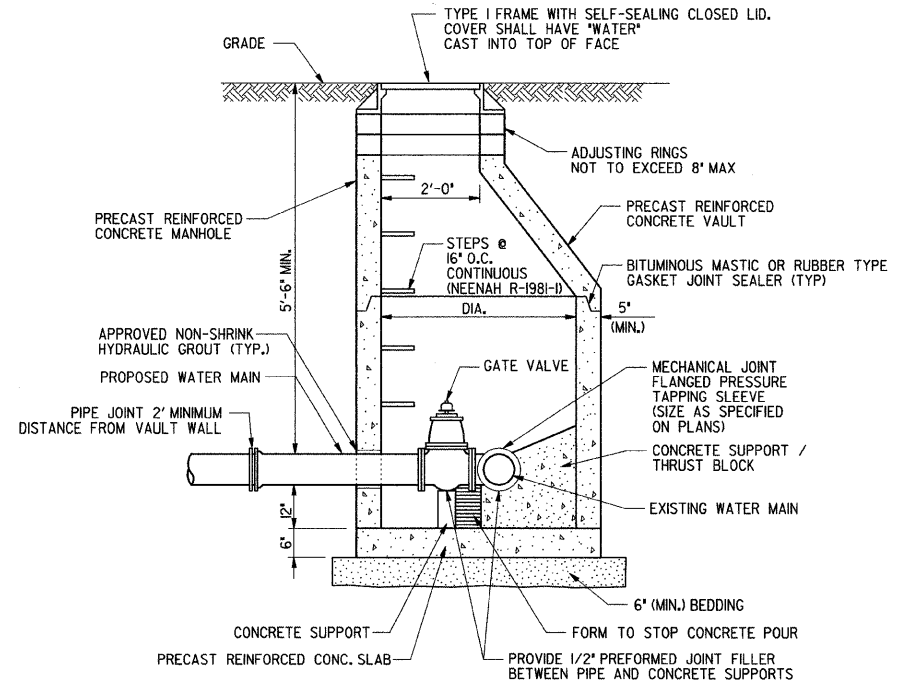


**VALVE BOX SETTING
VALVES 12" AND SMALLER**
NTS



VALVE VAULT
NTS

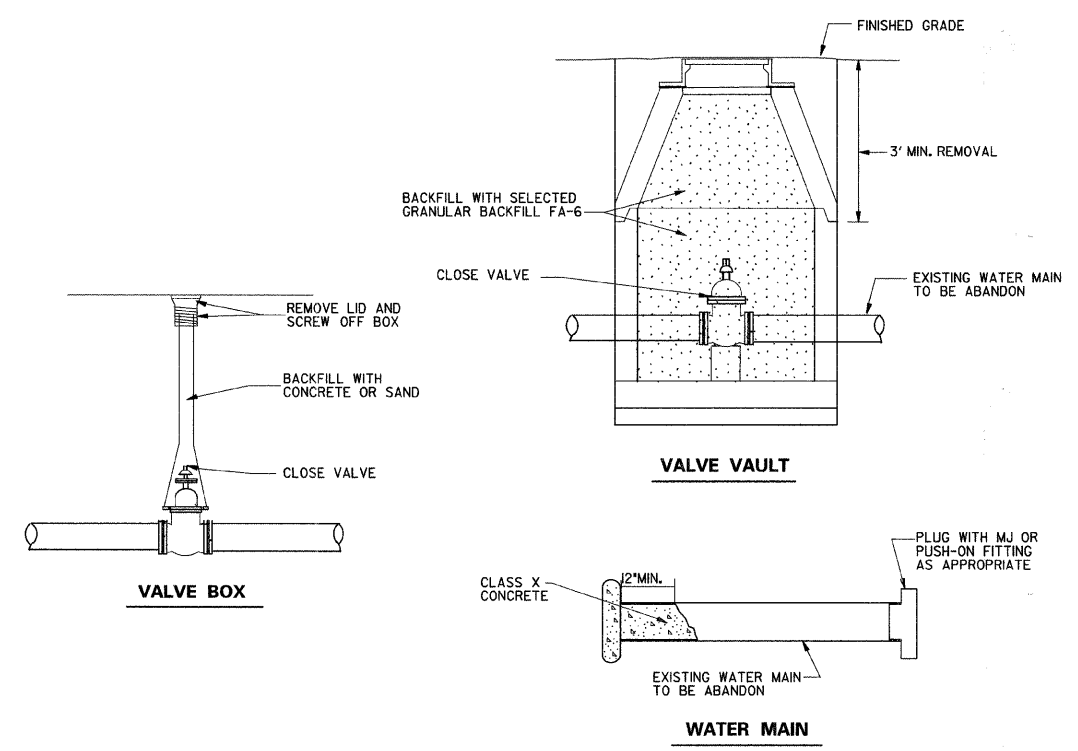


ELEVATION

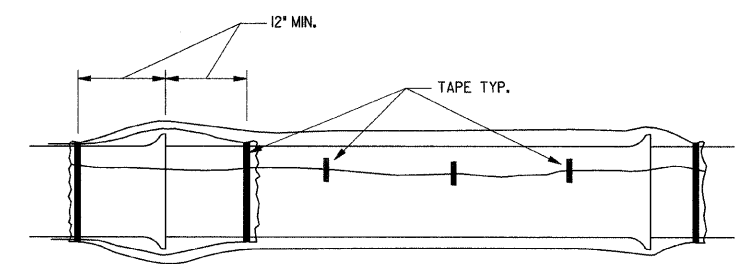
CONNECTION SIZE	VALVE VAULT DIA.
6" X 6"	5'
12" X 12"	6'

**VALVE VAULT,
WITH PRESSURE CONNECTION**

NOTE: VALVE NUT MUST BE ACCESSIBLE BY KEY FROM SURFACE.



VALVE VAULT, WATER MAIN & VALVE BOX ABANDONMENT DETAIL



POLYETHYLENE WRAP DETAIL
NTS

REVISIONS	
NAME	DATE

Clorba Group, Inc.
CONSULTING ENGINEERS
5507 North Cumberland Avenue, Suite 402 Chicago, Illinois 60656
Tel. 773.775.4009 Fax 773.775.4014 Email: chicago@clorba.com

CITY OF NORTH CHICAGO
MARTIN LUTHER KING JR. DRIVE IMPROVEMENTS
MARTIN LUTHER KING JR. DRIVE
WATER MAIN
DETAILS

SCALE: DATE: APRIL, 2008 DRAWN BY: DMM CHECKED BY: WCHK

DATE: 7/1/2008 TIME: 8:03:28 AM FILENAME: N:\PROJ\161\Design\Details\161_watermain_details.dgn