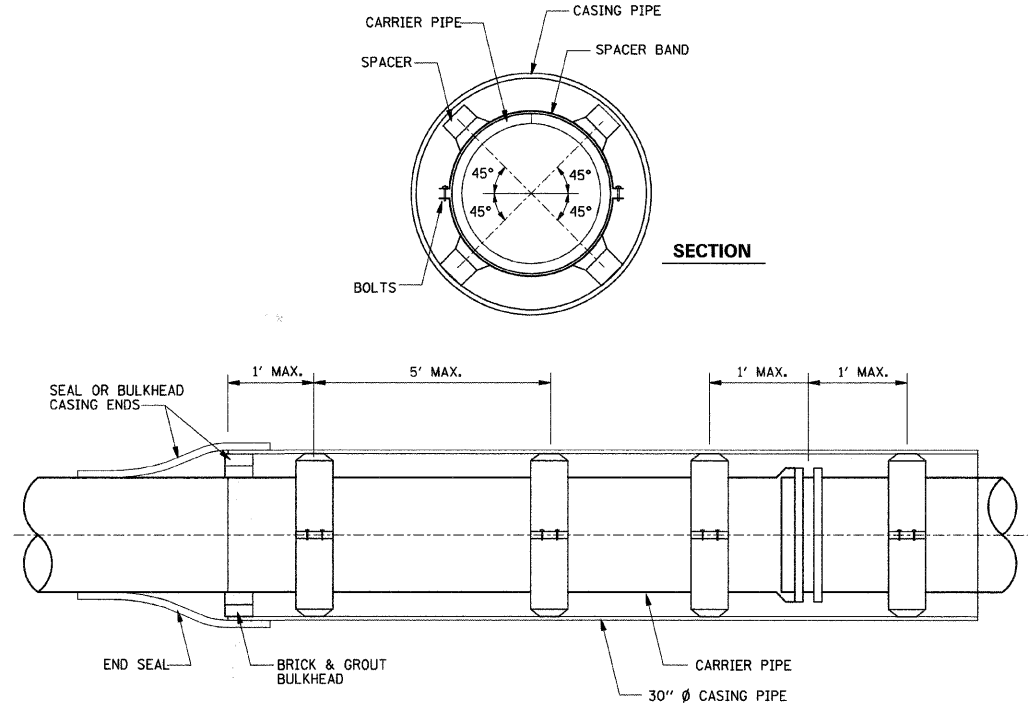
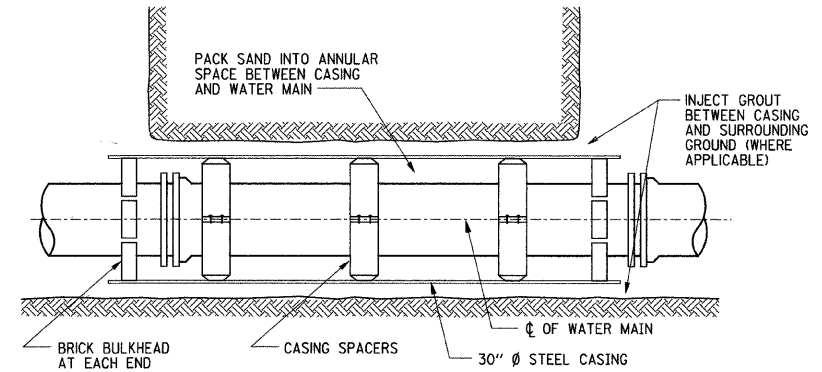


**FIRE HYDRANT, COMPLETE**

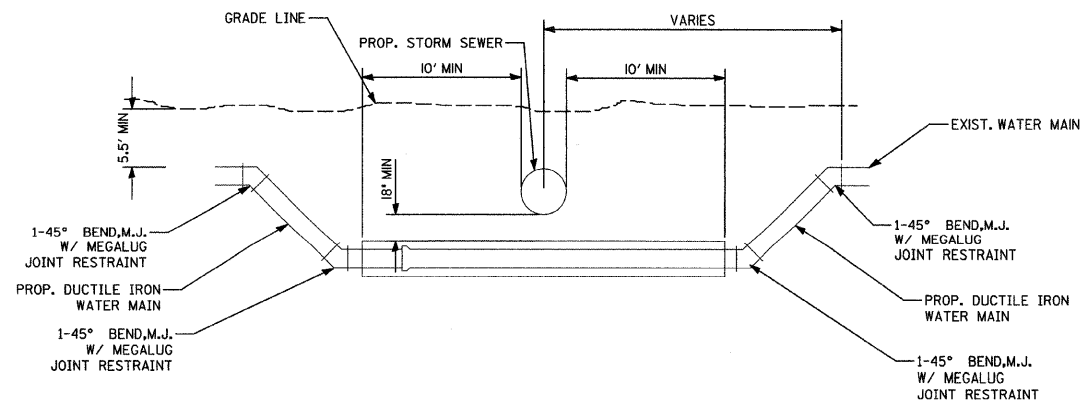
1. DUCTILE IRON WATER MAIN TEE
2. AUXILIARY VALVE
3. DUCTILE IRON WATER MAIN LEAD
4. FIRE HYDRANT



**CASING SPACER INSTALLATION**



**STEEL CASING PIPE, 30" BORED AND JACKED  
(FOR RAILROAD CROSSING)**



**UTILITY CONFLICT DETAIL**

REVISIONS	
NAME	DATE

**Clorba Group, Inc.**  
CONSULTING ENGINEERS  
5507 North Cumberland Avenue, Suite 402 Chicago, Illinois 60656  
Tel. 773.775.4009 Fax 773.775.4014 Email chicago@clorba.com

CITY OF NORTH CHICAGO  
MARTIN LUTHER KING JR. DRIVE IMPROVEMENTS  
MARTIN LUTHER KING JR. DRIVE  
WATER MAIN  
DETAILS

SCALE: DRAWN BY: DMM  
DATE: APRIL, 2008 CHECKED BY: WCHK